

Commercial and Industrial Smart Inverter Solutions

ET Series (25-50kW)

- Lynx C Series 101-156kWh High Voltage Battery
- BAT-S Series 25.6-56.3kWh High Voltage Battery
- BAT-C Series 92.1-112.6kWh C&I Battery System

Solutions Manual

V2.4 2026-03-30

GOODWE

Copyright Statement:

Copyright © GoodWe Technologies Co., Ltd. 2026. All rights reserved.

No part of this manual can be reproduced or transmitted to the public platform in any form or by any means without the prior written authorization of GoodWe Technologies Co., Ltd.

Trademarks

GOODWE and other GOODWE trademarks are trademarks of GoodWe Technologies Co., Ltd. All other trademarks or registered trademarks mentioned in this manual are owned by GoodWe Technologies Co., Ltd.

NOTICE

The information in this user manual is subject to change due to product updates or other reasons. This guide cannot replace the product labels or the safety precautions in the user manual unless otherwise specified. All descriptions here are for guidance only.

1 About This Manual	1
1.1 Overview	1
1.2 Applicable Model	1
1.3 Symbol Definition	2
2 Safety Precautions	3
2.1 General Safety	3
2.2 Personnel Requirements	3
2.3 System Installation	4
2.3.1 PV String Safety	6
2.3.2 Inverter Safety	6
2.3.3 Battery Safety	7
2.3.4 Smart Meter Safety	8
2.4 Safety Symbols and Certification Marks	8
2.5 EU Declaration of Conformity	10
2.5.1 Equipment with Wireless Communication Modules	10
2.5.2 Equipment without Wireless Communication Modules (Except Battery)	11
2.5.3 Battery	11
3 System Introduction	12
3.1 System Overview	12
3.2 Product Overview	16
3.2.1 Inverter	16
3.2.2 STS	17
3.2.3 Battery	18
3.2.4 Smart Meter	29
3.2.5 Smart Dongle	30
3.3 Supported Grid Types	31
3.4 System Working Mode	31
3.5 Features	39
4 Check and Storage	40
4.1 Check before Receiving	40

4.2 Package Content.....	40
4.2.1 Package of the Inverter (ET 25-50kW).....	40
4.2.2 Package of the STS.....	42
4.2.3 Package of the Battery.....	43
4.2.4 Smart Meter (GM330).....	50
4.2.5 Smart Dongle.....	50
4.3 Storage.....	51
5 Installation.....	53
5.1 System Installation and Commissioning Procedure.....	53
5.2 Installation Requirements.....	54
5.2.1 Installation Environment Requirements.....	54
5.2.2 Installation Space Requirements.....	55
5.2.3 Foundation Requirements.....	57
5.2.4 Tool Requirements.....	57
5.2.5 Transportation Requirements.....	59
5.3 Installing the Battery System.....	60
5.3.1 Open the Cabinet Door.....	61
5.3.2 Installing Lynx C Series 101-156kWh High Voltage Battery.....	61
5.3.3 Installing BAT-S Series 25.6-56.3kWh High Voltage Battery.....	62
5.3.4 Installing BAT-C Series 92.1-112.6kWh C&I Battery System.....	66
5.4 Installing the Inverter.....	67
5.5 Installing the STS.....	70
5.6 Installing the Smart Meter.....	71
6 System Wirings.....	72
6.1 System Wiring Diagram.....	72
6.2 Detailed System Wiring Diagram.....	74
6.2.1 Single inverter without off-grid function.....	75
6.2.2 Single inverter with off-grid function.....	75
6.2.3 Multiple inverter without off-grid function.....	76
6.2.4 Multiple inverters without off-grid parallel function.....	77
6.2.5 Multiple inverters with off-grid parallel function.....	78

6.3 Preparing Materials	80
6.3.1 Preparing Breakers	80
6.3.2 Preparing Cables	80
6.3.3 Preparing Combiner Box	84
6.4 Connecting the PE Cable	85
6.5 Connecting the PV Cable	86
6.6 Connecting the Battery Cable	88
6.6.1 Lynx C Series 101-156kWh High Voltage Battery	89
6.6.2 BAT-S Series 25.6-56.3kWh High Voltage Battery	94
6.6.3 BAT-C Series 92.1-112.6kWh C&I Battery System	98
6.7 Connecting the AC Cable	103
6.7.1 Connecting the AC cable of the inverter	103
6.7.2 (Optional) Connecting the AC cable of STS	105
6.8 Connecting the Meter cable	107
6.9 Connecting the Inverter Communication Cable	108
7 Power ON the System	113
7.1 Check before Power ON	113
7.2 Power ON	113
7.2.1 Single Inverter without Off-grid Function	114
7.2.2 Single Inverter with Off-grid Function	115
7.2.3 Multiple Inverter without Off-grid Function	116
7.2.4 Multiple Inverters without Off-grid Parallel Function	117
7.2.5 Multiple inverters with off-grid parallel function	117
7.3 Indicators	119
7.3.1 Inverter Indicators	119
7.3.2 STS Indicators	120
7.3.3 Battery Indicators	121
7.3.4 Smart Meter Indicator	122
7.3.5 Smart Dongle Indicator	123
7.4 Closing the Cabinet Door	125
8 System Commissioning	127

8.1 Device Parameter Configuration via SolarGo	127
8.2 Device Commissioning via the SEC3000C Embedded Web Interface	127
9 Monitoring power plants via SEMS+	128
10 Maintenance	129
10.1 Power OFF the System	129
10.1.1 Single Inverter without Off-grid Function	129
10.1.2 Single Inverter with Off-grid Function	130
10.1.3 Multiple Inverter without Off-grid Function	131
10.1.4 Multiple Inverters without Off-grid Parallel Function	132
10.1.5 Multiple inverters with off-grid parallel function	132
10.2 Removing the Equipment	133
10.2.1 Remove the Inverter	134
10.2.2 Remove the Lynx C Series 101-156kWh High Voltage Battery	134
10.2.3 Remove the BAT-S Series 25.6-56.3kWh High Voltage Battery	134
10.2.4 Remove the BAT-C Series 92.1-112.6kWh C&I Battery System	135
10.3 Disposing of the Equipment	135
10.4 Routine Maintenance	135
10.5 Troubleshooting	137
10.5.1 System Communication Troubleshooting	137
10.5.2 Inverter Troubleshooting	138
10.5.3 Battery Troubleshooting	145
11 Technical Data	155
11.1 Inverter Technical Data	155
11.2 STS Technical Data	162
11.3 Battery Technical Data	164
11.4 Smart Meter Technical Data	171
11.5 Smart Dongle Technical Data	171
12 Appendix	173
12.1 FAQ	173
12.1.1 How to Perform Meter/CT Detection?	173
12.1.2 How to Upgrade Firmware Version	173

12.2 Acronyms and Abbreviations	174
12.3 Term Explanation	176
12.4 Meaning of Battery SN Code	177

1 About This Manual

1.1 Overview

The energy storage system consists of inverter, battery system, and smart meter. This manual describes the product information, installation, electrical connection, commissioning, troubleshooting and maintenance of the system. Read through this manual before installing and operating the products. This manual is subject to update without notice. For more product details and latest documents, visit <https://en.goodwe.com/>.




1.2 Applicable Model

This manual applies to the products below, and please select the specific solution based on the specific scenario.

Product type	Product information	Description
Inverter	ET Series (25-50kW)	Rated output power: 25kW - 50kW.
Static transfer switch	STS200-80-10	Nominal apparent power: 50kVA
Battery	Lynx C Series 101-156kWh High Voltage Battery	Capacity of single battery system: 101.38kWh - 156.67kWh. Max capacity of parallel connected battery systems: 468kWh. The series of battery systems is only compatible with the ET40-50kW inverter when the BMS version is 25600 or above(with SN codes indicating a date on or after June 1, 2024).For the meaning of SN codes, refer to 13.4 " Battery SN Code Interpretation ".
	BAT Series 25.6-56.3kWh High Voltage Battery	Capacity of single battery system: 25.6 / 30.7 / 35.8 / 40.9 / 46.0 / 51.2 / 56.3 kWh. Max capacity of parallel connected battery systems: 153.6 / 184.2 / 214.8 / 245.4 / 276.0 / 307.2 / 337.8 kWh.
	BAT Series 92.1-112.6kWh C&I Battery System	Capacity of single battery system: 92.1 / 102.4 / 112.6 kWh. Max capacity of parallel connected battery systems: 368.4 / 409.6 / 450.4 kWh.

Smart meter	GM330	Monitors and detects running data in the system, such as voltage, current, etc.
Smart energy controller	SEC3000C	A SEC3000C can be used to realize the energy storage inverters paralleling or the paralleling of energy storage inverters with on-grid inverters. When using SEC3000C for inverters paralleling, it supports up to 10 energy storage inverters to form a parallel system.
Smart dongle	WiFi/LAN Kit-20	In single inverter scenario and in multiple inverter parallel scenario using SEC3000C, the system running information can be uploaded to the monitoring platform through WiFi or LAN signals.
	4G Kit-G20	Used in standalone inverter scenarios. The system operation information can be uploaded to the monitoring platform via 4G signal; and the near-end equipment can be tested using Bluetooth signal.

1.3 Symbol Definition

 DANGER
Indicates a high-level hazard that, if not avoided, will result in death or serious injury.
 WARNING
Indicates a medium-level hazard that, if not avoided, could result in death or serious injury.
 CAUTION
Indicates a low-level hazard that, if not avoided, could result in minor or moderate injury.
NOTICE
Highlight and supplement the texts. Or some skills and methods to solve product-related problems to save time.

2 Safety Precautions

Please read this document carefully and keep it in a safe place for future reference. Please strictly follow these safety instructions in the user manual during the operation.

WARNING

The products are designed and tested strictly to comply with related safety rules. Read and follow all the safety instructions and cautions before any operations. Improper operation might cause personal injury or property damage as the products are electrical equipment.

2.1 General Safety

NOTICE

- The information in this user manual is subject to change due to product updates or other reasons. This guide cannot replace the product labels or the safety precautions in the user manual unless otherwise specified. All descriptions here are for guidance only.
- Read through this document before installation to learn about the product and the precautions.
- All operations should be performed by trained and knowledgeable technicians who are familiar with local standards and safety regulations.
- Use insulating tools and wear personal protective equipment (PPE) when operating the equipment to ensure personal safety. Wear anti-static gloves, cloths, and wrist strips when touching electronic devices to protect the equipment from damage.
- Unauthorized dismantling or modification may damage the equipment, the damage is not covered under the warranty.
- Strictly follow the installation, operation, and configuration instructions in this guide and relative user manual. The manufacturer shall not be liable for equipment damage or personal injury if you do not follow the instructions. <https://en.goodwe.com/warranty>

2.2 Personnel Requirements

NOTICE

To ensure the safety, compliance, and efficiency throughout the transportation, installation, wiring, operation, and maintenance of the equipment, the work must be carried out by professionals or qualified personnel.

1. Professionals or qualified personnel include:
 - Personnel who have mastered the equipment's working principles, system structure, and knowledge of relevant risks and hazards, and have received professional operation training or possess rich practical experience.
 - Personnel who have received relevant technical and safety training, have certain operational experience, can be aware of potential dangers that specific operations may pose to themselves, and are able to take protective measures to minimize risks to themselves and others.
 - Qualified electrical technicians who meet the regulatory requirements of the

country/region where they are located.

- Personnel who hold a degree in electrical engineering/an advanced diploma in an electrical discipline or equivalent qualification/a professional qualification in the electrical field, and have at least 2/3/4 years of experience in testing and supervising in accordance with electrical equipment safety standards.
2. Personnel engaged in special tasks such as electrical operations, working at heights, and operation of special equipment must hold valid qualification certificates as required by the location of the equipment.
 3. Operation of medium-voltage equipment must be performed by certified high-voltage electricians.
 4. Replacement of the equipment and its components is only permitted to be carried out by authorized personnel.

2.3 System Installation



- Disconnect the upstream and downstream switches to power off the equipment before any electrical connections. Do not work with power on. Otherwise, an electric shock may occur. Do not work with power on. Otherwise, an electric shock may occur.
- Install a breaker at the voltage input side of the equipment to prevent personal injury or equipment damage caused by energized electrical work.
- All operations such as transportation, storage, installation, use and maintenance shall comply with applicable laws, regulations, standards and specifications.
- Perform electrical connections in compliance with local laws, regulations, standards and specifications. Including operations, cables, and component specifications.
- Connect cables using the connectors included in the package. The manufacturer shall not be liable for equipment damage if other connectors are used.
- Ensure all cables are connected tightly, securely, and correctly. Inappropriate wiring may cause poor contacts and damage the equipment.
- The PE cables must be connected and secured properly before working on the equipment. Otherwise an electric shock may occur.
- To protect the equipment and components from damage during transportation, ensure that the transportation personnel are professionally trained. All operations during the transportation have to be recorded. The equipment shall be kept in balance, thus avoiding falling down.
- The equipment is heavy. Please equip the corresponding personnel according to its weight, so that the equipment does not exceed the weight range of the human body can carry, and cause personnel injury.
- Keep the equipment stable to avoid dumping, which can result in equipment damage and personal injuries.
- Do not wear any metal thing when moving, installing, or commissioning the equipment. Otherwise, it will cause electrical shock or damages to the equipment.
- Do not put any metal parts on the equipment, otherwise it will cause electrical shock.
- When the device is short circuited, do not approach or touch the device and please turn

off the power immediately.



- Do not apply mechanical load to the terminals, otherwise the terminals can be damaged.
- If the cable bears too much tension, the connection may be poor. Reserve a certain length of the cable before connecting it to corresponding ports.
- Tie the same type cables together, and place cables of different types at least 30mm apart. Do not place the cables entangled or crossed.
- Place the cables at least 30mm away from the heating components or heat sources, otherwise the insulation layer of the cables may be aging or broken due to high temperature.

2.3.1 PV String Safety



- Ensure the component frames and the bracket system are securely grounded.
- Ensure the DC cables are connected tightly, securely and correctly. Inappropriate wiring may cause poor contacts or high impedances, and damage the inverter.
- Measure the DC cable using the multimeter to avoid reverse polarity connection. Also, the voltage should be under the max DC input voltage. The manufacturer shall not be liable for the damage caused by reverse connection and overvoltage.
- The PV strings cannot be grounded. Ensure the minimum insulation resistance of PV string to the ground meets the minimum insulation resistance requirements before connecting the PV string to the inverter ($R = \text{maximum input voltage (V)} / 30\text{mA}$).
- Do not connect one PV string to more than one inverter at the same time. Otherwise, it may cause damage to the inverter.
- The PV modules used with the inverter must have an IEC61730 class A rating.
- The inverter output power may decrease if the PV string inputs high voltage or current.

2.3.2 Inverter Safety



- The voltage and frequency at the connecting point should meet the on-grid requirements.
- Additional protective devices like circuit breakers or fuses are recommended on the AC side. Specification of the protective device should be at least 1.25 times the maximum AC output current.
- The arc fault alarms will be cleared automatically if the alarms are triggered less than 5 times in 24 hours. The inverter will shutdown for protection after the 5th electric arc fault. The inverter can operate normally after the fault is solved.
- BACK-UP is not recommended if the PV system is not configured with batteries. Otherwise, there may be a risk of system power outage.
- The inverter output power may decrease when the grid voltage and frequency changes.
- Attention: The installation of this equipment must comply with current technical standards for photovoltaic electrical installation (NBR 16690) and fire risk management in photovoltaic systems (IEC 63226).

2.3.3 Battery Safety

DANGER

- The battery system exists high voltage during the equipment running. Keep Power Off before any operations to avoid danger. Strictly follow all safety precautions outlined in this manual and safety labels on the equipment during the operation.
- The battery system is a high voltage system. Do not touch or operate it. Keep away from it. Only professionals are allowed! Do not touch or operate without permission.
- The energy storage system consists of heavy equipment. Please use appropriate tools and take protective measures when installing and maintaining the system. Improper operations will cause personal injuries or equipment damage.
- Do not disassemble, modify, or replace any part of the battery or the power control unit without official authorization from the manufacturer. Otherwise, it will cause electrical shock or damages to the equipment, which shall not be borne by the manufacturer.
- The equipment must be installed on concrete or other non-combustible surfaces, ensuring that the foundation is level, firm, flat, dry, has sufficient load-bearing capacity, and no dents or tilts are allowed.
- Do not hit, pull, drag, squeeze, step on or pierce it shell with sharp object or put the battery into fire. Otherwise, the battery may explode.
- Do not place the battery in a high temperature environment. Make sure that there is no direct sunlight and no heat source near the battery. When the ambient temperature exceeds 60 °C, it will cause fire.
- Do not use the battery or the power control unit if it is defective, broken, or damaged.
- Damaged battery may leak electrolyte.
- Do not move the battery system while it is working.
- Pay attention to the negative and positive during installation to avoid reverse polarity connection. Otherwise the short circuit may cause personal injuries and damage to the equipment.
- It is strictly prohibited to short-circuit the positive and negative terminals of the battery. A short circuit in the battery may cause personal injury. The instantaneous high current caused by a short circuit can release a large amount of energy and may cause a fire.
- When operating the equipment, ensure that it is not damaged and the system is functioning properly, otherwise there may be a risk of electric shock and fire.
- During the operation of the equipment, do not open the cabinet door or touch any wiring terminals or components. Otherwise, there is a risk of electric shock.
- Do not touch the running equipment to avoid being hurt as its temperature may exceed 60°C. Do not install the equipment at a place within non-professionals' reach.
- Do not pull or plug the terminals and connecting cables during the running of the BMS. Otherwise it may cause dangers to the safety.
- Power off the BMS the moment there is abnormality happening during the running. Contact the related personnel as soon as possible.
- The DC breaker for battery shall meet the requirements according to AS/NZS 5139.

WARNING

- Charge the battery promptly after discharging, otherwise it may cause excessive discharge and damage to the battery.

- Do not dis-/charge the battery exceeding the nominal dis-/charge current.
- Factors such as: temperature, humidity, weather conditions, etc. may limit the battery's current and affect its load.
- Contact after-sale service immediately if the battery is not able to be started. Otherwise, the battery might be damaged permanently.
- Contact After-sales Service if the battery module shall be replaced or added.
- Do not charge the battery at lower temperature. Otherwise it may decrease the capacity of the BMS.
- Do not put unrelated items into any part of the battery system.

Emergency Measures

● Battery Electrolyte Leakage

If the battery module leaks electrolyte, avoid contact with the leaking liquid or gas. The electrolyte is corrosive. It will cause skin irritation or chemical burn to the operator. Anyone contact the leaked substance accidentally has to do as following:

- Breath in the leaked substance: Evacuate from the polluted area, and seek immediate medical assistance.
- Eye contact: Rinse your eyes for at least 15 minutes with clean water and seek immediate medical assistance.
- Skin contact: Thoroughly wash the touch area with soap and clean water, and seek immediate medical assistance.
- Ingestion: Induce vomiting, and seek immediate medical assistance.

● Fire

- The battery may explode when the ambient temperature exceeds 150°C. Poisonous and hazardous gas may be released if the battery is on fire.
- In the event of a fire, please make sure that the carbon dioxide extinguisher or Novec1230 or FM-200 is nearby.
- The fire cannot be put out by ABC dry powder extinguisher. Firefighters are required to wear full protective clothing and self-contained breathing apparatus.

2.3.4 Smart Meter Safety



WARNING

If the voltage of the power grid fluctuates, resulting in the voltage to exceed 265V, in this case, long-term overvoltage operation may cause damage to the meter. It is recommended to add a fuse with a rated current of 0.5A on the voltage input side of the meter to protect it.

2.4 Safety Symbols and Certification Marks













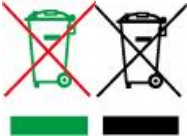








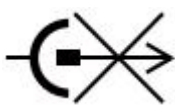

DANGER

- All labels and warning marks should be visible after the installation. Do not cover, scrawl,

or damage any label on the equipment.

- The following box warning label instructions are for reference only, The following descriptions are for reference only.

No.	Symbol	Descriptions
1		Potential risks exist. Wear proper PPE before any operations.
2		HIGH VOLTAGE HAZARD Disconnect all incoming power and turn off the product before working on it.
3		High-temperature hazard. Do not touch the product under operation to avoid being burnt.
4		Operate the equipment properly to avoid explosion.
5		Batteries contain flammable materials, beware of fire.
6		The equipment contains corrosive electrolytes. In case of a leak in the equipment, avoid contact the leaked liquid or gas.
7		Delayed discharge. Wait 5 minutes after power off until the components are completely discharged.
8		Keep the equipment away from open flame or ignition source.
9		Read through the user manual before any operations.
10		Wear personal protective equipment during installation, operation and maintaining.

11		Do not dispose of the System as household waste. Deal with it in compliance with local laws and regulations, or send it back to the manufacturer.
12		No stepping.
13		Grounding point.
14		Recycle regeneration mark. Put the battery in the right place and recycle it in compliance with local environmental regulations.
15		CE Mark
16		TUV mark
17		RCM mark
18		Keep away from children
19		Do not lift the equipment
20		Do not power off during equipment working
21		Never disassemble this battery unit

2.5 EU Declaration of Conformity

2.5.1 Equipment with Wireless Communication Modules

GoodWe Technologies Co., Ltd. hereby declares that the equipment with wireless communication modules sold in the European market meets the requirements of the following directives:

- Radio Equipment Directive 2014/53/EU (RED)

- Restrictions of Hazardous Substances Directive 2011/65/EU and (EU) 2015/863 (RoHS)
- Waste Electrical and Electronic Equipment 2012/19/EU
- Registration, Evaluation, Authorization and Restriction of Chemicals (EC) No 1907/2006 (REACH)

2.5.2 Equipment without Wireless Communication Modules (Except Battery)

GoodWe Technologies Co., Ltd. hereby declares that the equipment without wireless communication modules sold in the European market meets the requirements of the following directives:

- Electromagnetic compatibility Directive 2014/30/EU (EMC)
- Electrical Apparatus Low Voltage Directive 2014/35/EU (LVD)
- Restrictions of Hazardous Substances Directive 2011/65/EU and (EU) 2015/863 (RoHS)
- Waste Electrical and Electronic Equipment 2012/19/EU
- Registration, Evaluation, Authorization and Restriction of Chemicals (EC) No 1907/2006 (REACH)

2.5.3 Battery

Batteries that can be sold in the European market meet the following directive requirements:

- Electromagnetic compatibility Directive 2014/30/EU (EMC)
 - Electrical Apparatus Low Voltage Directive 2014/35/EU (LVD)
 - Restrictions of Hazardous Substances Directive 2011/65/EU and (EU) 2015/863 (RoHS)*1
 - Regulation (EU) 2023/1542 Article 12 - Safety of stationary battery energy storage systems
 - Regulation (EU) 2023/1542 Article 10 - Performance and durability requirements for rechargeable industrial batteries, LMT batteries and electric vehicle batteries
 - Regulation (EU) 2023/1542 Article 14 - Information on the state of health and expected lifetime of batteries
 - Waste Electrical and Electronic Equipment 2012/19/EU
 - Registration, Evaluation, Authorization and Restriction of Chemicals (EC) No 1907/2006 (REACH)
- *1: Our company's battery products meet the hazardous substance limit requirements specified in this regulation.

More EU Declaration of Conformity on the official website: <https://en.goodwe.com>.

3 System Introduction

3.1 System Overview

The commercial and industrial smart inverter solution consists of inverter, static transfer switch cabinet, battery system, smart energy controller, smart meter, smart dongle, etc.. In the PV system, solar energy can be convert to electric energy for commercial and industrial needs. The IoT devices in the system controls the electrical equipment by recognizing the overall power consumption situation. So that the power will be managed in a smart way, deciding whether the power is to be used by the loads, stored in batteries, or exported to the grid, etc.

WARNING

- The PV system is not suitable to connect equipment that relies on a stable power supply, such as medical equipment to sustain life. Ensure that no personal injury is occurred when the system is disconnected.
- Avoid loads with high starting current like high-power water pumps in the PV system. Otherwise, the off-grid output may fail due to excessive instantaneous power.
- BACK-UP is not recommended if the PV system is not configured with batteries. Otherwise, it the risk of system power failure may be arisen.
- Factors such as: temperature, humidity, weather conditions, etc. may limit the battery's current and affect its load.
- When single overload protection occurs, the inverter can restart automatically; however, the restarting time will be extended if it happens several times. For a faster restarting, try it via APP.
- Normal loads can be supported when the inverter is in back-up mode. Accepted loads as below:
 - Inductive load :
 - A VFD/VSD is required for single-phase motors with a power rating greater than or equal to 3kW or three-phase motors with a power rating greater than or equal to 8kW;
 - The sum of the rated power of single-phase inductive loads shall be $\leq 0.5 \cdot P_n / 3$, and the sum of the total nominal power of inductive loads shall be $\leq 0.5 \cdot P_n$;
 - A single inverter allows a total inductive load power of no more than 25kW; when two or more inverters are connected in parallel, the total inductive load power allowed is no more than $P_n \cdot 50\% \cdot \text{number of parallel units} \cdot 80\%$;
 - If there are other loads, the inductive load will be reduced accordingly. Refer to the calculations based on the specific application conditions.
 - Capacitive load: total power ≤ 0.33 times of the inverter's nominal output power.
 - The inverter does not support half-wave load.

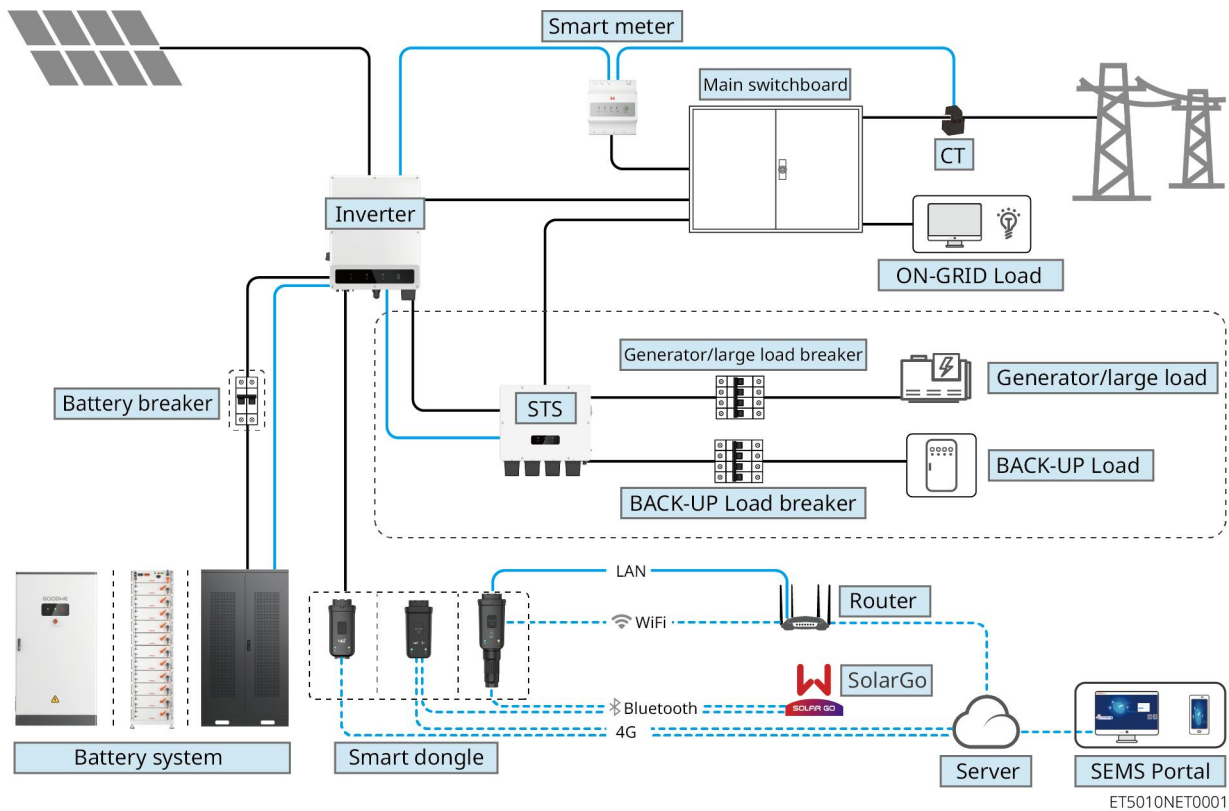
- In fully off-grid inverter systems, prolonged exposure to low sunlight or overcast/rainy conditions without timely battery recharge may cause excessive discharge, leading to battery performance degradation or damage. To ensure long-term stable system operation, avoid completely discharging the battery. Recommended measures are as follows:
 1. Set a minimum SOC protection threshold during off-grid operation. It is recommended to set the lower limit of off-grid battery SOC to 30%.
 2. When SOC approaches the protection threshold, the system will automatically enter load-limiting or protection mode.
 3. If insufficient sunlight persists for multiple consecutive days and battery SOC drops too low, promptly recharge the battery using external power sources (e.g., generators or grid-assisted charging).
 4. Regularly inspect battery status to ensure it remains within safe operating limits.
 5. It is recommended to fully charge and discharge the battery once every six months to calibrate SOC accuracy.

When the inverter is in off-grid mode, it can import power for the normal operation of the following industrial and commercial loads:

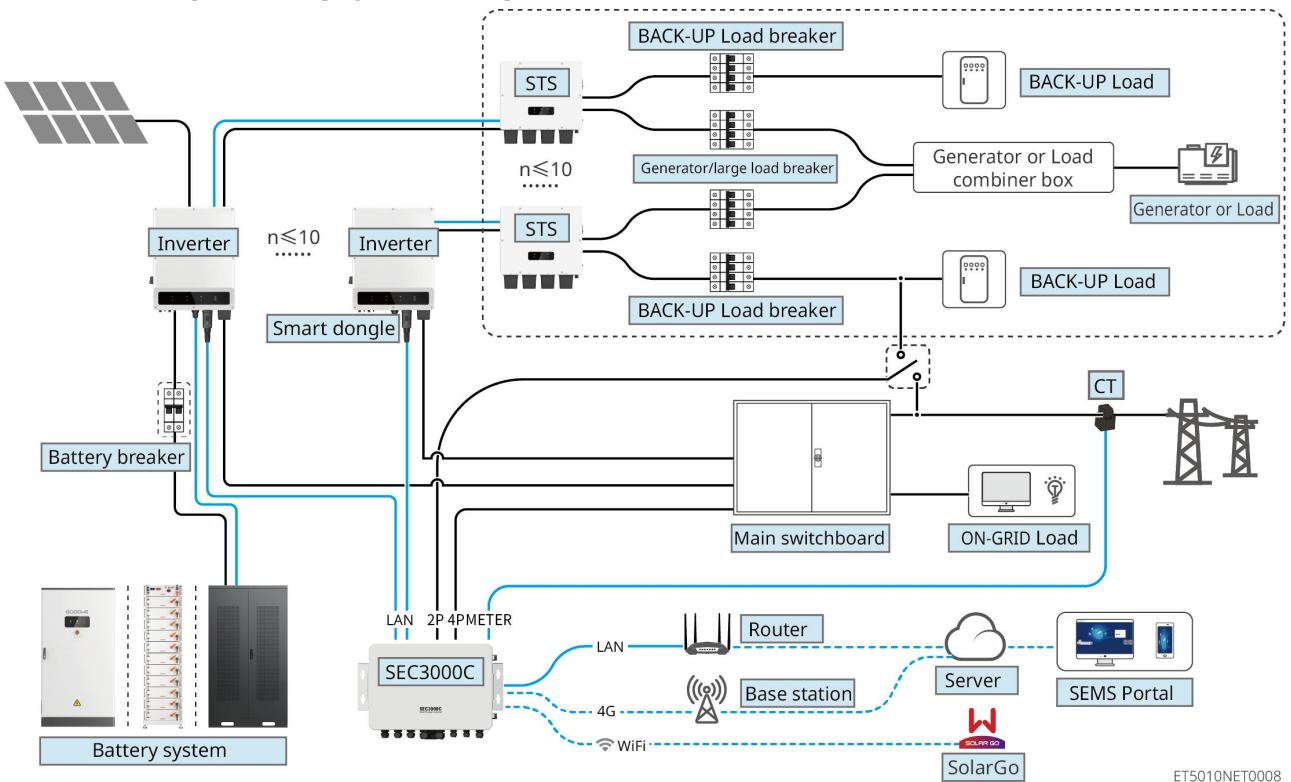
Load Power	Single-phase	Three-phase
Rated Power of a Single inductive load (kVA)	3	8
Sum of Rated Powers of Inductive loads (kVA)	$0.5 \cdot P_n / 3$	$0.5 \cdot P_n$
Capacitive Load (kVA)	$0.33 P_n / 3$	$0.33 P_n$

- P_n : Rated output power of the inverter.
- If the rated power of a single inductive load is greater than or equal to the nominal value specified in the above table, a VFD/VSD (Variable Frequency Drive/Variable Speed Drive) shall be configured;
- When two or more inverters are connected in parallel, the total inductive load power allowed is equal to $P_n \cdot 50\% \cdot \text{number of parallel units} \cdot 80\%$;

- **Single inverter system**



● Inverters paralleling system using SEC3000C



Product Type	Model	Description
Inverter	GW25K-ET-10	GW25K-ET-10 and GW30K-ET-10 do not support SEC3000C parallel operation.

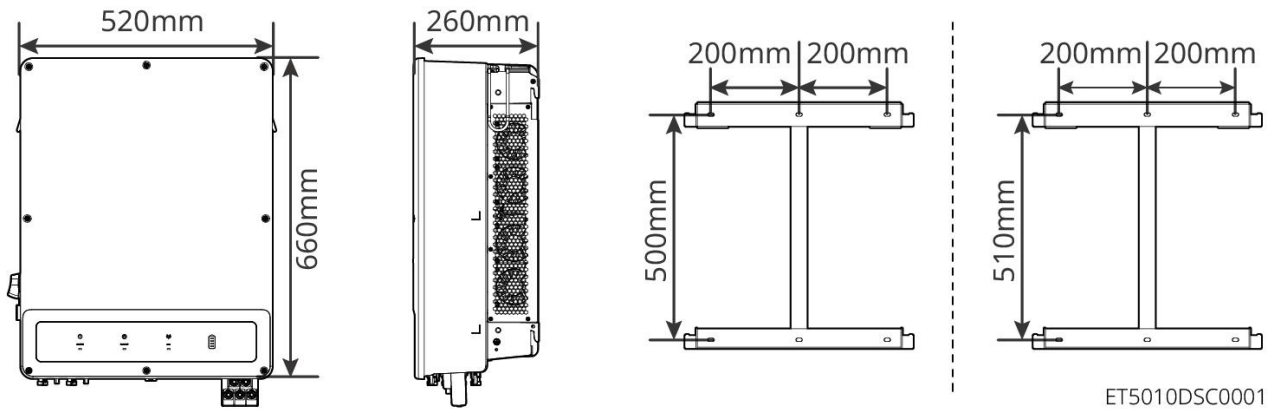
	GW30K-ET-10 GW40K-ET-10 GW50K-ET-10	For multiple inverters paralleling system, the following version requirements must be met: <ul style="list-style-type: none"> ● All inverters in the paralleling system have consistent software versions ● Inverter software version requirements: <ul style="list-style-type: none"> ○ Inverter ARM software version is 11.475 or above ○ Inverter DSP software version is 4.400 or above
Static transfer switch	STS200-80-10	The off grid function can be used only with a static transfer switch. The software version of static transfer switch is 4.400 or above. No circuit breaker shall be installed between the inverter and the static transfer switch.
Battery system	LX C101-10 LX C120-10 LX C138-10 LX C156-10	<ul style="list-style-type: none"> ● A maximum of 3 battery systems can be clustered in a system. ● Battery systems of different models cannot be connected in parallel together.
	GW25.6-BAT-I-G10 GW30.7-BAT-I-G10 GW35.8-BAT-I-G10 GW40.9-BAT-I-G10 GW46.0-BAT-I-G10 GW51.2-BAT-I-G10 GW56.3-BAT-I-G10	<ul style="list-style-type: none"> ● A maximum of 6 battery systems can be clustered in a system. ● Battery systems of different models cannot be connected in parallel together.
	GW92.1-BAT-AC-G10 GW102.4-BAT-AC-G10 GW112.6-BAT-AC-G10	<ul style="list-style-type: none"> ● A maximum of 4 battery systems can be clustered in a system. ● Battery systems of different models cannot be connected in parallel together.
Smart energy controller	SEC3000C	For information on SEC3000C requirements, installation, wiring, etc., please refer to the SEC3000C User Manual .
Smart meter	GM330	The meter will be delivered with inverter. The CT can be purchased from GoodWe or other suppliers. CT ratio: nA/5A. <ul style="list-style-type: none"> ● nA: CT primary input current, n ranges from 200 to 5000. ● 5A: CT Secondary input current.
Smart dongle	<ul style="list-style-type: none"> ● 4G Kit-G20 ● WiFi/LAN Kit-20 	<ul style="list-style-type: none"> ● When operating as a standalone unit, use the WiFi/LAN Kit-20 or 4G Kit-G20. ● When configuring a parallel system with the

		SEC3000C inverter, each inverter must be paired with a WiFi/LAN Kit-20 for network wiring.
--	--	--

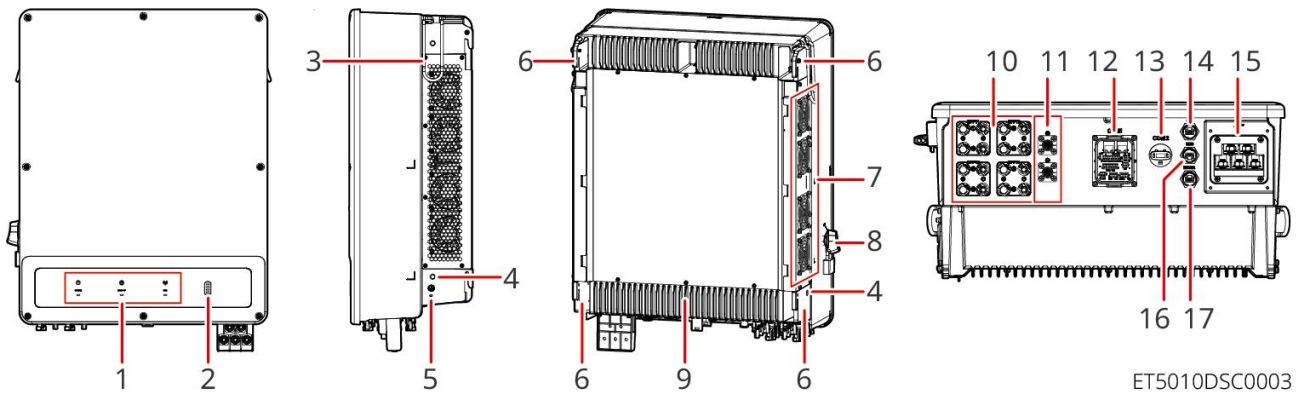
3.2 Product Overview

3.2.1 Inverter

Inverters control and optimize the power in PV systems through an integrated energy management system. The power generated in the PV system can be used, stored in the battery, output to the utility grid, etc.



No.	Model	Nominal output power	Nominal output voltage	Number of MPPT
1	GW25K-ET-10	25kW	380, 3L/N/PE	3
2	GW30K-ET-10	30kW		3
3	GW40K-ET-10	40kW		3
4	GW50K-ET-10	50kW		4



No.	Parts	Description
1	Indicator	Indicates working status of the inverter.
2	Battery SOC indicator	Indicates the SOC status of the battery.

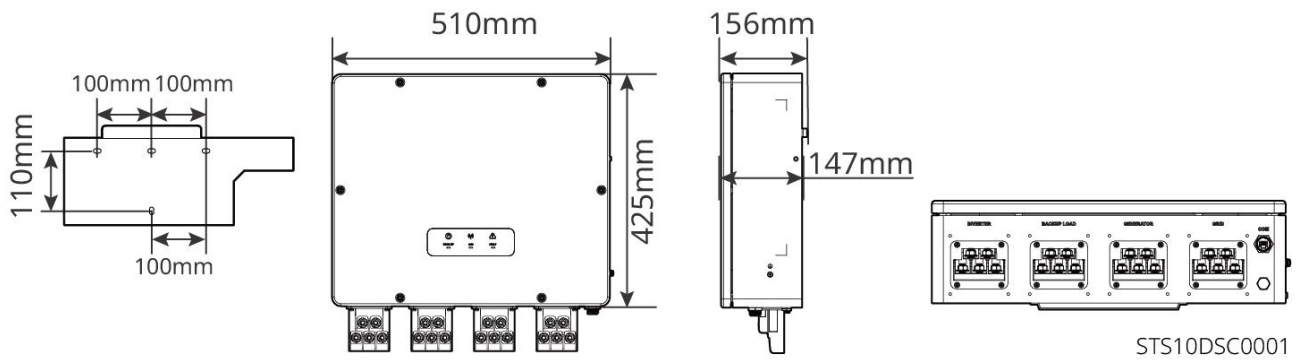
3	Handles	Used to move the Inverter.
4	Handle installation holes	Used to install handles to move the Inverter.
5	PE terminal	Connects the grounding cable of the inverter.
6	Mounting Plate	Used to install the inverter.
7	Fan	Uses for heat dissipation of the inverter.
8	DC Switch	Used to starts or stops PV input.
9	Heat sink	Uses for heat dissipation of the inverter.
10	PV input terminal	Connect the PV module DC input cables. <ul style="list-style-type: none"> ● GW25K-ET-10: MPPT x 3 ● GW30K-ET-10: MPPT x 3 ● GW40K-ET-10: MPPT x 3 ● GW50K-ET-10: MPPT x 4
11	Battery DC input/output ports	Connect the battery input cables.
12	Communication port (COM1)	Connect communication cables and support RSD,DRED, Remote Shutdown, RCR, Load Control, Generator Control, Charging pile (reserved) communication.
13	Communication module port (COM2)	Used to connect communication modules, supporting connection to 4G, WiFi/LAN Kit-20 modules. Using a USB flash drive for system software upgrades.
14	STS communication port (STS)	Used to connect the STS communication cable.
15	AC output port	Used to connect the AC Cable
16	Battery communication port (BMS)	Used to connect the BMS communication cable.
17	Meter communication port (METER)	Used to connect the meter communication cable.

3.2.2 STS

The Static Transfer Switch can be used in a commercial or industrial energy storage system. With the STS, the energy storage system can switch the inverter status between on-grid and off-grid. STS supports connection of generators and large loads such as heat pumps and high-power motors. The power of a single non-variable frequency motor device should be $\leq 5.5\text{kVA}$.

Utility grid power fails:

- When the energy storage system is not connected to the generator, the system switches to off-grid operation. PV power generation or battery discharge for load use.
- When the energy storage system is connected to the generator and the PV power generation and battery discharge meet the load requirements, the generator will not start. The system switches to off grid working state.
- When the energy storage system is connected to the generator and the PV power generation and battery discharge cannot meet the load requirements, the system switches to the grid connected working state of the generator. The generator generates power for load use, the PV and generator generate power to charge the battery.
- When the power grid is restored, the system switches to the grid connected working state.



3.2.3 Battery

The battery system is composed of PCU and battery Packs.

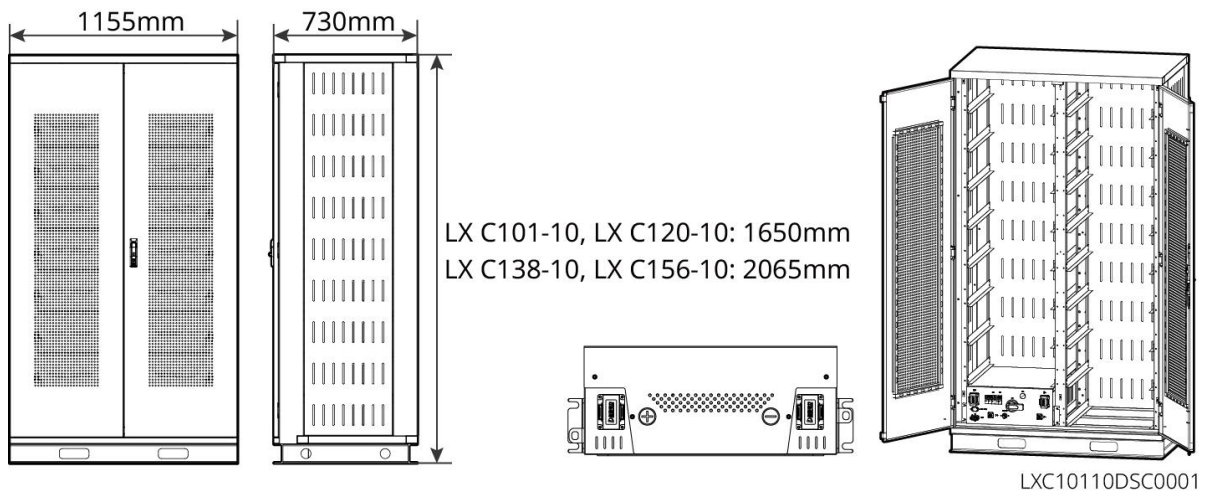
The battery system can store and release electricity according to the requirements of the PV energy storage system, and the input and output ports of the energy storage system are all high-voltage direct current.

NOTICE

- Individual battery cabinets do not support capacity expansion by adding additional PACKs after installation.
- The BAT series battery system can be expanded within one year of installation by adding battery cabinets of the same model and part number. For details, please consult your installer.
- The Lynx C series battery system does not support expansion after installation.

● Lynx C Series 101-156kWh High Voltage Battery

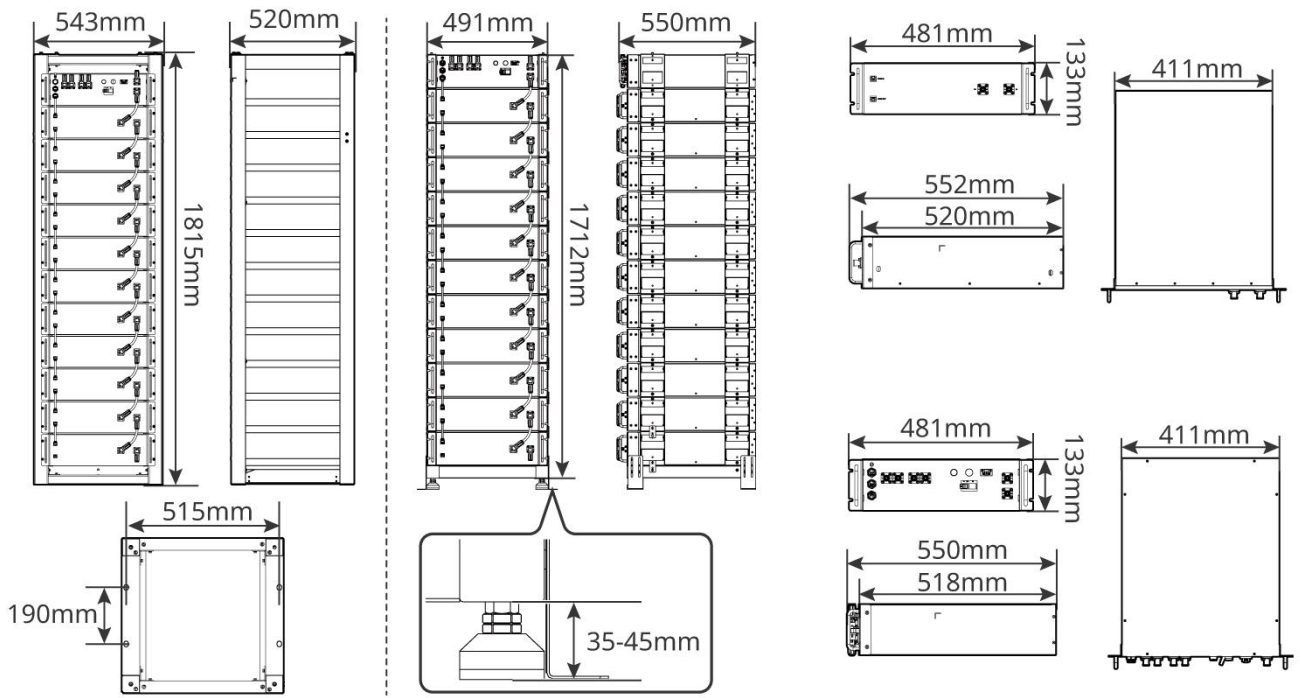
No.	Model	Battery Module Quantity	Height (mm)	Usable energy (kWh)
1	LX C 101-10	11	1650	101.38
2	LX C120-10	13		119.81
3	LX C138-10	15	2065	138.24
4	LX C156-10	17		156.67



● **BAT-S Series 25.6-56.3kWh High Voltage Battery**

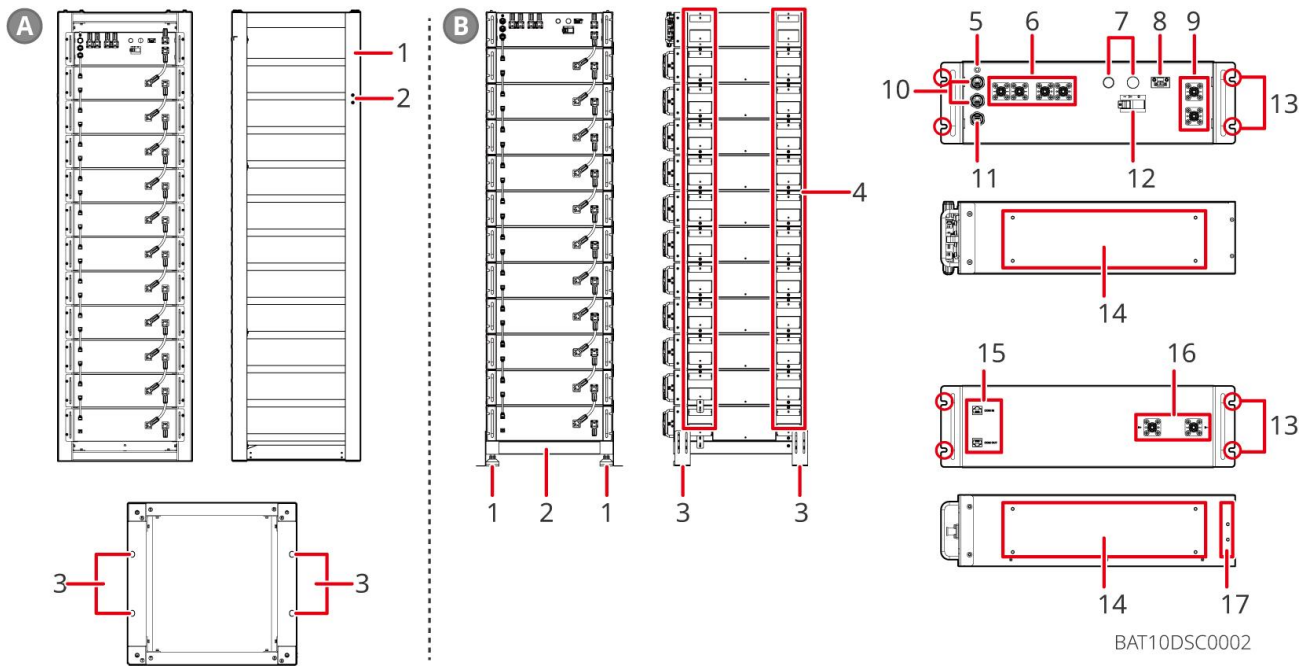
No.	Model	Battery Module Quantity	Usable energy (kWh)
1	GW25.6-BAT-I-G10	5	25.6
2	GW30.7-BAT-I-G10	6	30.7
3	GW35.8-BAT-I-G10	7	35.8
4	GW40.9-BAT-I-G10	8	40.9
5	GW46.0-BAT-I-G10	9	46.0
6	GW51.2-BAT-I-G10	10	51.2
7	GW56.3-BAT-I-G10	11	56.3

Dimension Specifications



BAT10DSC0007

Component Introduction



BAT10DSC0002

■ Rack-mounted

No.	Name	Description
1	Battery Racks	Used for installing batteries
2	Anti-tip bracket fixing holes	Used to fix the battery rack to the wall and prevent tipping
3	Battery rack floor-locking holes	Used to fix the battery rack to the ground

■ Stacked

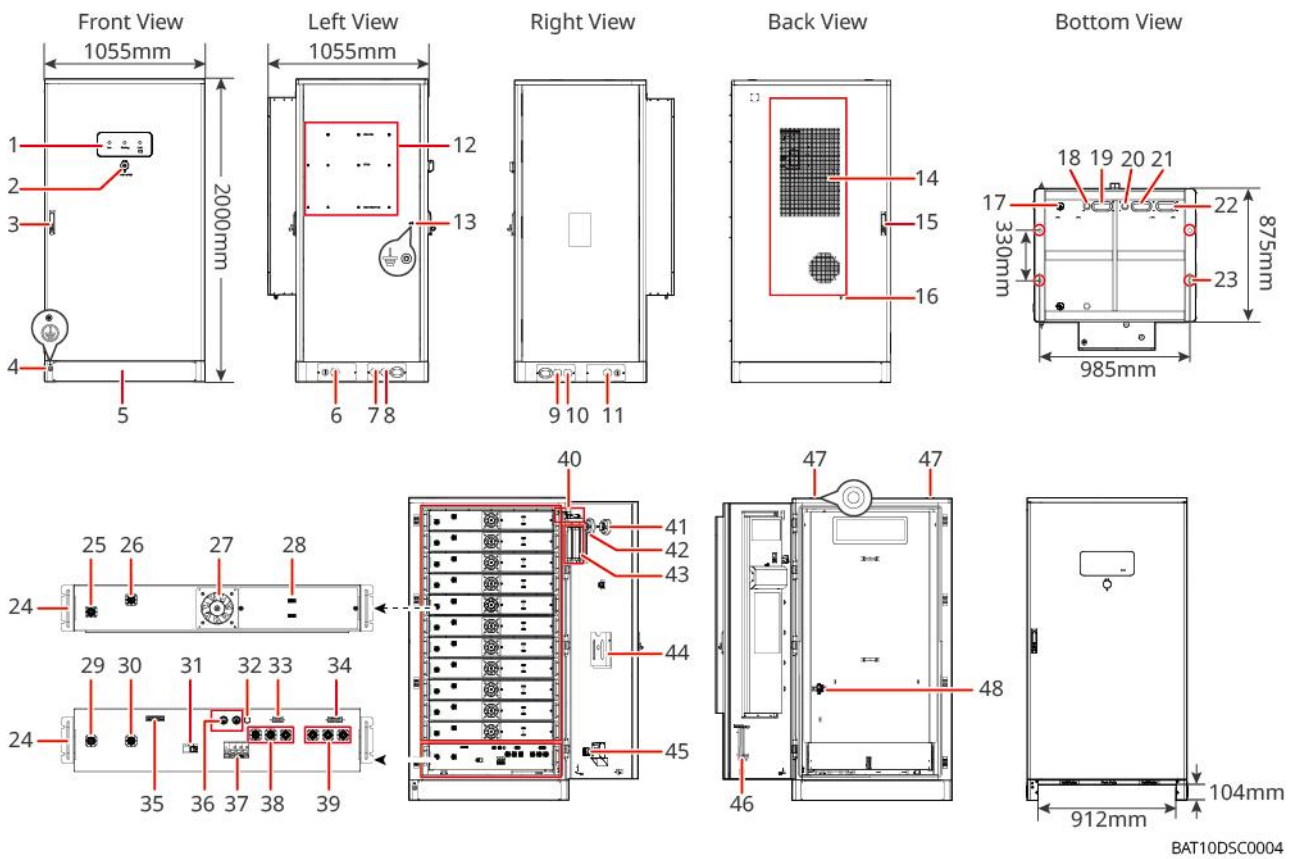
No.	Name	Description
1	Adjustable feet	Used to adjust height and keep the base level
2	Base	The battery system is stacked on the base
3	Anti-tip bracket	Used to fix the base to the ground and prevent tipping
4	Stacking bracket	Fixed on the battery pack for stacked installation of batteries
5	Grounding point	Used for connecting ground wires
6	High-voltage box power input/output port 1	Used to connect the power line between the high-voltage box and inverter
7	LED indicators	Used to indicate the status of the battery system
8	Dry contact	Contact for external fire protection system activation (under normal conditions, the dry contact remains normally open; the battery system will automatically power off when the dry contact is detected to be closed)
9	High-voltage box power input/output port 2	Used to connect the power line between the high-voltage box and battery modules
10	External communication port	For communication with inverter, placing terminal resistors, and parallel cluster communication of battery systems
11	High-voltage box communication port	For communication with battery modules
12	Battery system switch	Controls the start and stop of the battery system
13	High-voltage box/battery pack fixing holes	Used to fix the high-voltage box/battery pack to the battery rack
14	Stacking bracket mounting holes	Used for installing stacking brackets on the high-voltage box
15	Battery Pack communication port	For communication between adjacent battery packs and with the high-voltage box
16	Battery Pack power input/output port	Used to connect the power line between adjacent battery packs

17	Wall-mounted bracket mounting holes	For installing wall-mounted lock brackets
----	-------------------------------------	---

● **BAT-C Series 92.1-112.6kWh C&I Battery System**

No.	Model	Battery Module Quantity	Usable energy (kWh)
1	GW92.1-BAT-AC-G10	9	92.1
2	GW102.4-BAT-AC-G10	10	102.4
3	GW112.6-BAT-AC-G10	11	112.6

■ **Component Introduction**



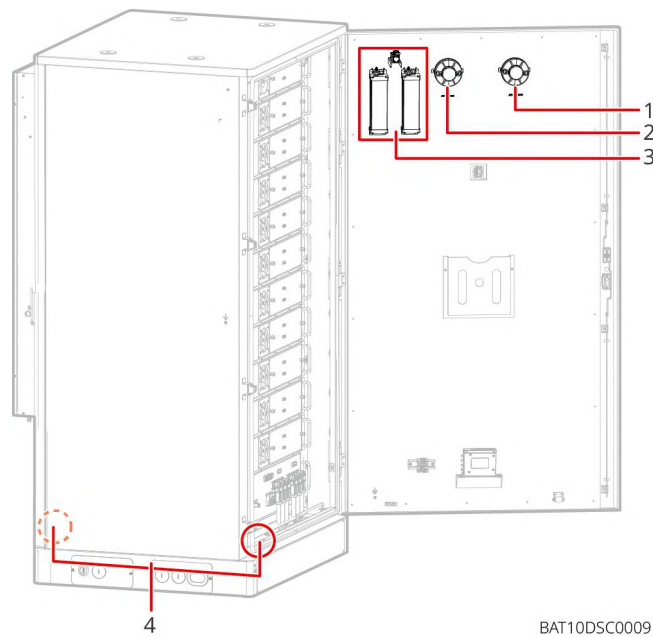
NO.	Name	Explanation
1	LED indicator	-
2	Emergency stop button	Press the emergency stop button and the battery system will be powered off
3	Front door lock	-
4	PE port 1	Connect the battery grounding cable
5	Bottom panel	-
6	Left cable entry hole 1	Air conditioner power cable&ET100 power cable
7	Left cable entry hole 2	Inverter communication cable
8	Left cable entry hole 3	Inverter power cable
9	Right cable entry hole 1	Battery power cable
10	Right cable entry hole 2	Battery communication cable
11	Right cable entry hole 3	Air conditioner power cable
12	Mounting plate installation hole	Inverter mounting plate installation hole
13	PE port 2	Connect the inverter grounding cable
14	Air conditioner	-
15	Back door lock	-
16	Air conditioner water pipe installation port	Air conditioner water pipe installation port
17	Ventilation valve	Responsible for explosion prevention and venting. When abnormal pressure builds up inside the battery system, it rapidly and directionally releases internal gases by opening the vent port of the explosion-proof check valve, thereby preventing the battery system from exploding.
18	Communication cable inlet and outlet (bottom)	For communication cable between battery and inverter

NO.	Name	Explanation
19	Power cable inlet and outlet (bottom)	For power cable between battery and inverter
20	Battery communication cable port	Communication cable port for battery parallel connection
21	Battery Power Cable Port (Positive)	Parallel Battery Power Cable Port (Positive)
22	Battery Power Cable Port (Negative)	Parallel Battery Power Cable Port (Negative)
23	Foundation fixing hole	Used to fasten the battery system and foundation are together
24	Handle	Used to fasten the battery pack to the battery cabinet
25	Battery pack power input/output port (positive)	-
26	Battery pack power input/output port (negative)	-
27	Fan	-
28	Battery pack communication port	Communication between neighbouring battery packs, communication with the high-voltage box, power supply for fans
29	High-voltage box power input / output port (negative) 1	Connect the power cable between the high-voltage box and battery packs
30	High-voltage box power input / output port (positive) 1	
31	Molded case circuit breaker	Control the high-voltage output of battery system
32	Black start button	Control the black start of the battery system
33	Internal	For the battery pack communication and the power supply of battery pack fan

NO.	Name	Explanation
	communication port 1	
34	Internal communication port 2	For the air conditioning communication, power access control switch identification, emergency stop and fire signal communication
35	LAN communication port	For transmitting cell-level information (Supported only on devices shipped after October 2025)
36	External communication port 1	Communication with inverters / Placement of termination resistors / Battery system parallel connection communication
37	Air switch	Control the weak power supply of the battery system
38	High-voltage box power input / output port (positive) 2	Connect the power cable between the high-voltage box and the inverters
39	High-voltage box power input / output port (negative) 2	
40	Power access control switch	It is opened automatically after the door is opened to ensure that the energy storage system is powered off.
41	Temperature alarm	<p>The heat detector monitors temperature and provides a voltage output proportional to the external air temperature by using either a dual thermistor network. One thermistor is exposed to give good thermal contact with the surrounding air while the other thermistor is thermally insulated and it emits red light to remind the operator when detecting abnormality.</p> <ul style="list-style-type: none"> • Ideal for environments that are dirty or smoky under normal circumstances • Wide operating voltage
42	Smoke alarm	<p>The smoke detector uses the scattered light principle to detect smoke entering the chamber located within the detector housing.</p> <ul style="list-style-type: none"> • Responds well to slow burning, smouldering fires • Unaffected by wind or atmospheric pressure • Flashing LED and magnet operated test switch option on selected detectors • Alarm indicator: Clear light emitting diode (LED) emitting red light
43	Aerosol fire extinguishing device	<p>Monitor the fire signal in the cabinet and implement fire extinguishing.</p> <p>When a fire occurs, the fire extinguishing device ignites the thermal line after receiving the electric start signal or the open fire, and the electric initiator or thermal line burns and activates the aerosol</p>

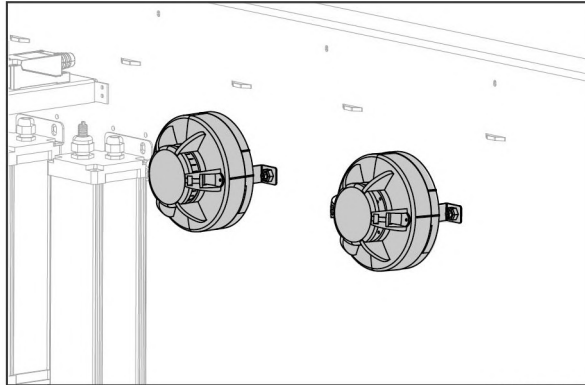
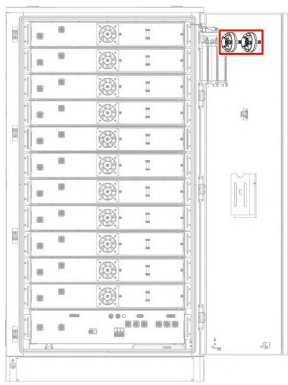
NO.	Name	Explanation
		generator in the fire extinguishing device. The aerosol generator decomposes the chemical coolant through the heat released by a series of reactions, so that the aerosol generator and the coolant can be combined to fight against the fire.
44	Document rack	-
45	Fire action signal port	Connect the audible and visual alarm cable
46	Maintenance hook rack	To place the maintenance hook which is used to remove the packs and PCU
47	Ring mounting hole	-
48	Air conditioning switch	For connecting the air conditioner wiring cable and controlling the air conditioner power supply

■ Fire Protection System Description



1	2	3	4
Smoke Detector	Temperature Detector	Aerosol Fire Extinguisher	Explosion-Proof Valve

■ Smoke Detector & Temperature Detector



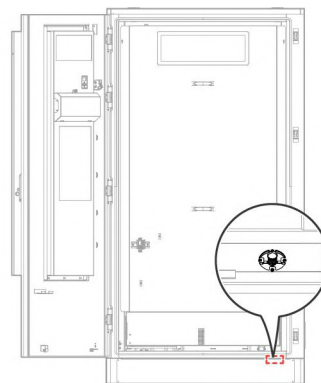
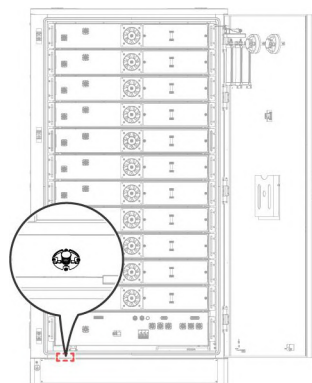
BAT10DSC0011

Temperature Detection Principle: The detector employs a negative temperature coefficient thermistor as the sensor, utilizing its sensitivity to ambient temperature to acquire environmental temperature data. Internal circuitry converts this information into a voltage signal transmitted to the microcontroller. The microcontroller analyzes and processes the signal via built-in intelligent algorithms while simultaneously determining whether the system is in fire alarm or fault status.

Smoke Detection Principle: The detector employs infrared scattering principles to detect fires. In smoke-free conditions, it receives only very weak infrared light. When smoke particles enter the optical smoke detection chamber, scattering causes the received light signal to intensify. Once smoke concentration reaches a certain threshold, an alarm signal is output.

Technical Parameters	Smoke Detector	Temperature Detector
Dimension (mm)	102*55	
Installation Requirements	Screw fastening	
Indicator (Red)	Flashing during monitoring, steady on during alarm	
Operating Temperature (°C)	-40~+85	
Relative Humidity	≤95% RH (non-condensing)	

■ **Explosion-Proof Valve**

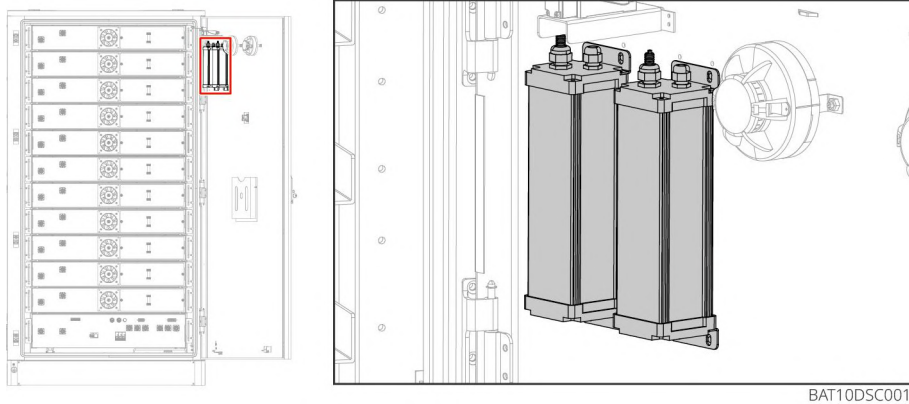


BAT10DSC0012

When internal pressure rapidly increases within sealed products such as battery enclosures, the explosion-proof one-way valve opens to vent the gas outlet, enabling rapid and directed release of internal gases. This prevents explosions in sealed products like battery enclosures.

Technical Parameters	Explosion-Proof Valve
Protective Class	IP68
Opening area	570 mm ²
Operating Temperature	-40°C ~ +130°C
Flame Retardant Properties	UL94-V0

■ Aerosol Fire Extinguisher



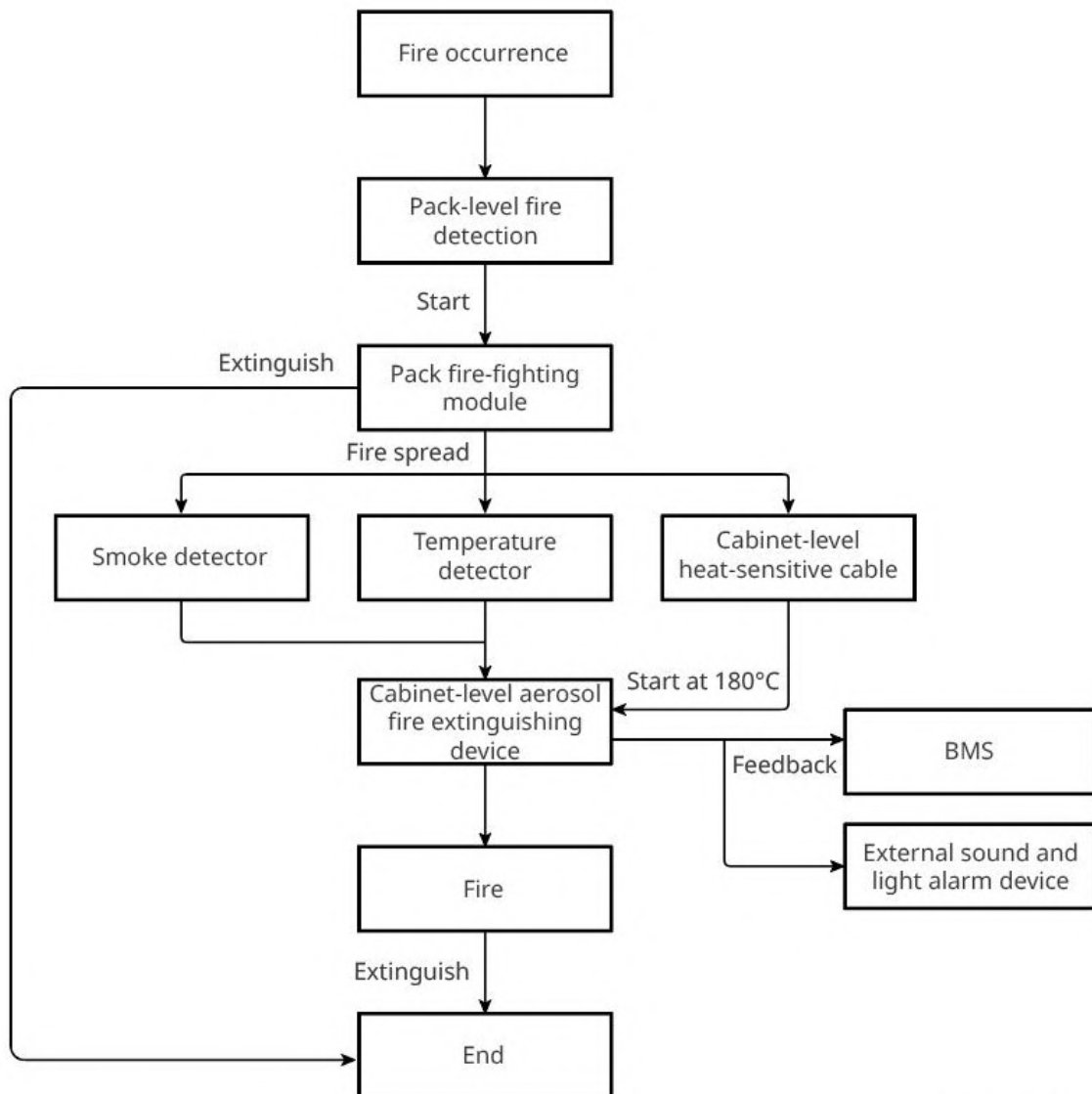
When a fire occurs, the fire suppression device activates upon receiving an electrical start signal or when an open flame ignites the heat-sensitive wire. The electrical igniter or the burning heat-sensitive wire activates the aerosol generator within the fire suppression device. The heat-sensitive aerosol generator releases heat through a redox reaction, decomposing the chemical coolant to generate aerosol. The thermal ignition wire or electric igniter ignites the pyrolytic igniter, which in turn ignites the aerosol generator within the fire suppression system. The heat released by the redox reaction within the aerosol generator decomposes the chemical coolant, enabling both the aerosol generator and the coolant to participate in fire suppression.

Technical Parameters	Aerosol Fire Extinguisher
Operating Temperature Range	-30°C ~ +70°C
Relative Humidity	≤ 95% RH
Hot Start Temperature	185±10°C

■ Firefighting Logic

The fire suppression system for this battery pack employs a tiered response design. When a fire occurs within the battery pack, pack-level detectors first detect the fire and immediately activate the internal aerosol fire suppression system for initial containment. If the fire cannot be controlled and

continues to spread, it triggers cabinet-level fire suppression. When smoke detectors and temperature sensors simultaneously detect a fire, or when an open flame ignites the pyrotechnic fuse (reaching 180°C), the cabinet-level aerosol fire suppression system automatically activates for comprehensive fire suppression. The aerosol generator produces the extinguishing agent through a combustion reaction. The heat released during this reaction decomposes the chemical coolant, enabling the synergistic action of the aerosol extinguishing agent and coolant to extinguish the fire. Simultaneously, the BMS receives feedback signals from the fire suppression system, triggering external audible and visual alarm devices until the fire is completely extinguished.



ET5010MTN0001

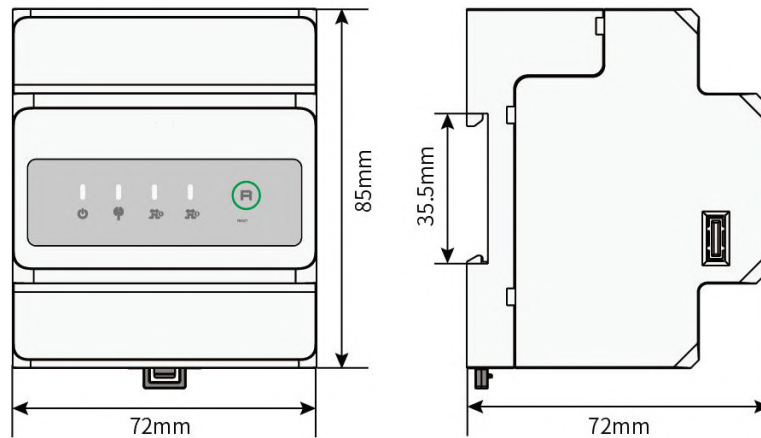
3.2.4 Smart Meter

The smart meter can measure the grid voltage, current, power, frequency, electric energy and other parameters, and transfer the data to the inverter to control the input and output power of the energy storage system.

GM330 meter will be delivered with inverter. The CT can be purchased from GoodWe or other suppliers. CT ratio: nA/5A.

- nA: CT primary input current, n ranges from 200 to 5000.
- 5A: CT secondary input current.



GM330



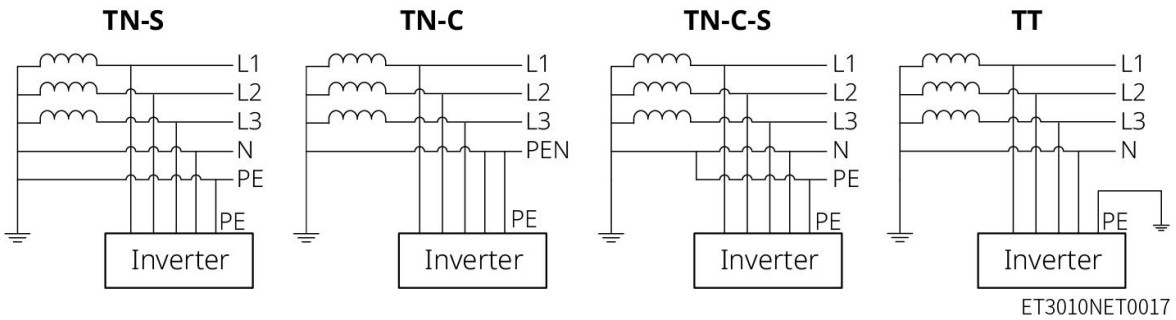
3.2.5 Smart Dongle

The smart dongle can transmit various power generation data to SEMS Portal, the remote monitoring platform, in real time. And connect to the SolarGo app to complete local equipment commissioning.

- 4G Kit-G20 can upload system operation information to the monitoring platform via 4G signals and it employs Bluetooth signals for near-end device testing.
- The WiFi/LAN Kit-20 can upload system operation information to the monitoring platform via WiFi or LAN signals, they use Bluetooth signals for near-end device testing.

No.	Model	Signal	Applicable scenarios
1	WiFi/LAN Kit-20 	WiFi, LAN, Bluetooth	Single inverter scenario and inverters paralleling scenario using SEC3000C
2	4G Kit-G20 	4G, Bluetooth	Single inverter scenario

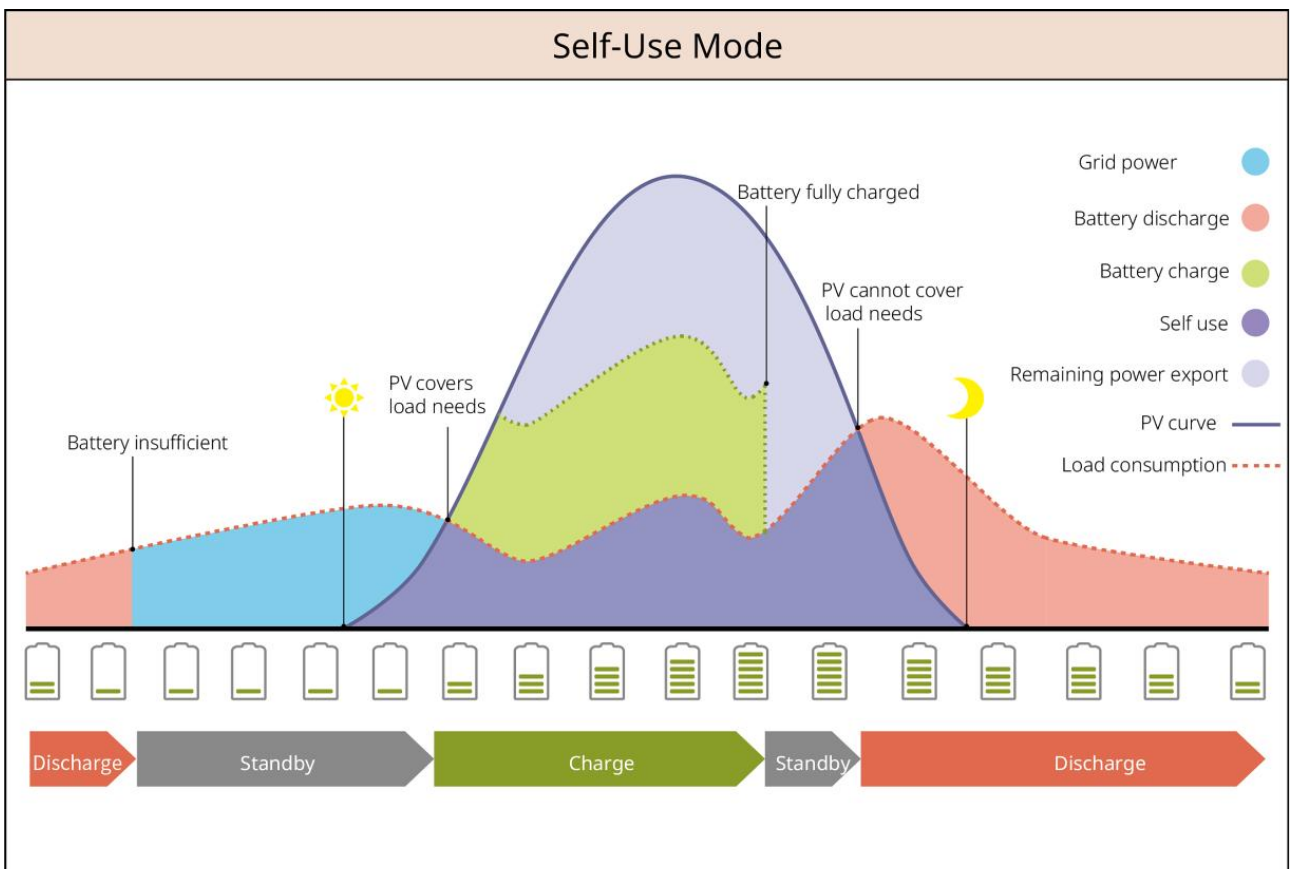
3.3 Supported Grid Types



3.4 System Working Mode

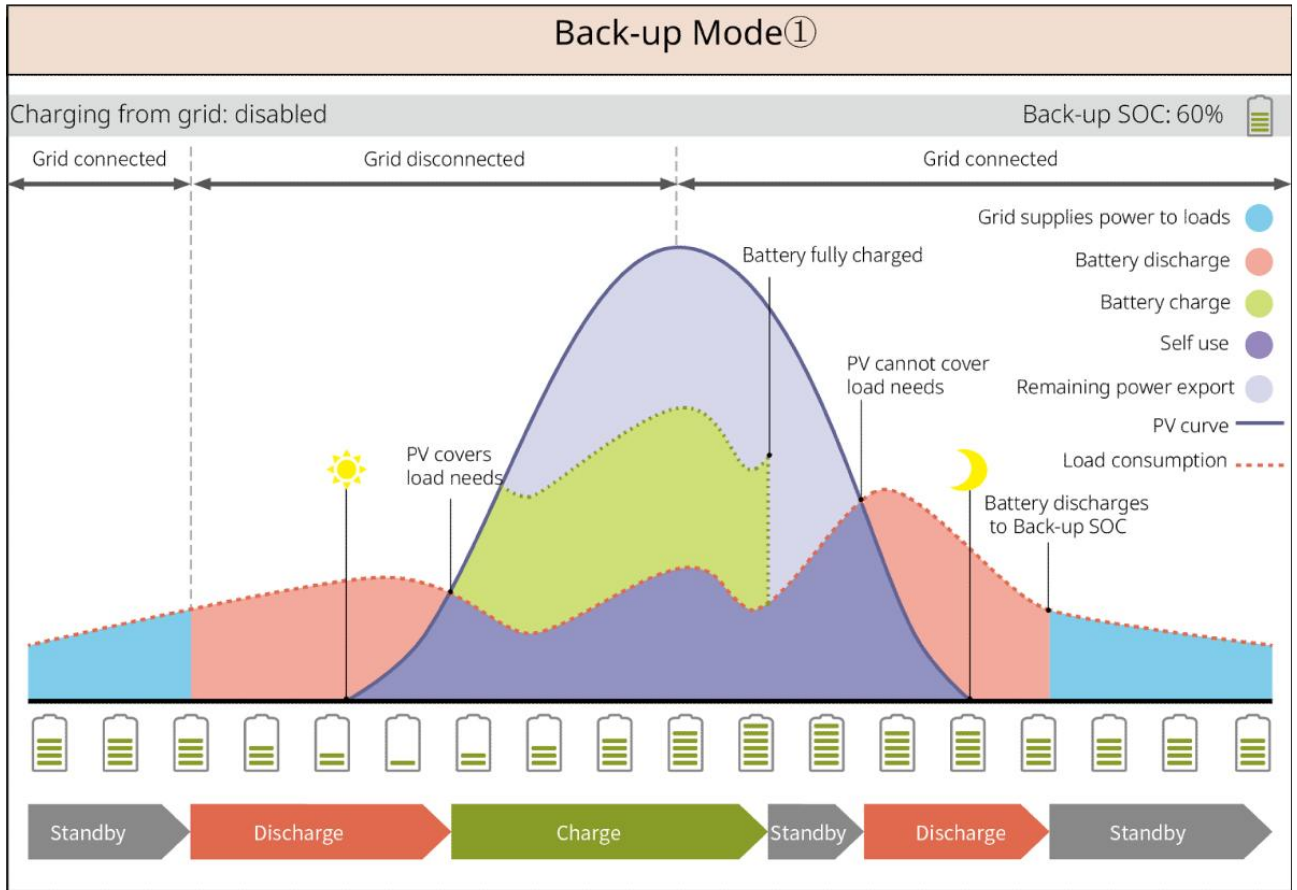
Self-use Mode

- Self-use mode is the basic working mode of the system.
- When the power generated in the PV system is sufficient, it will supply the loads in priority. The excess power will charge the batteries first, then the remaining power will be sold to the utility grid. When the power generated in the PV system is insufficient, the battery will supply the loads in priority. If the battery power is insufficient, the load will be powered by the utility grid.

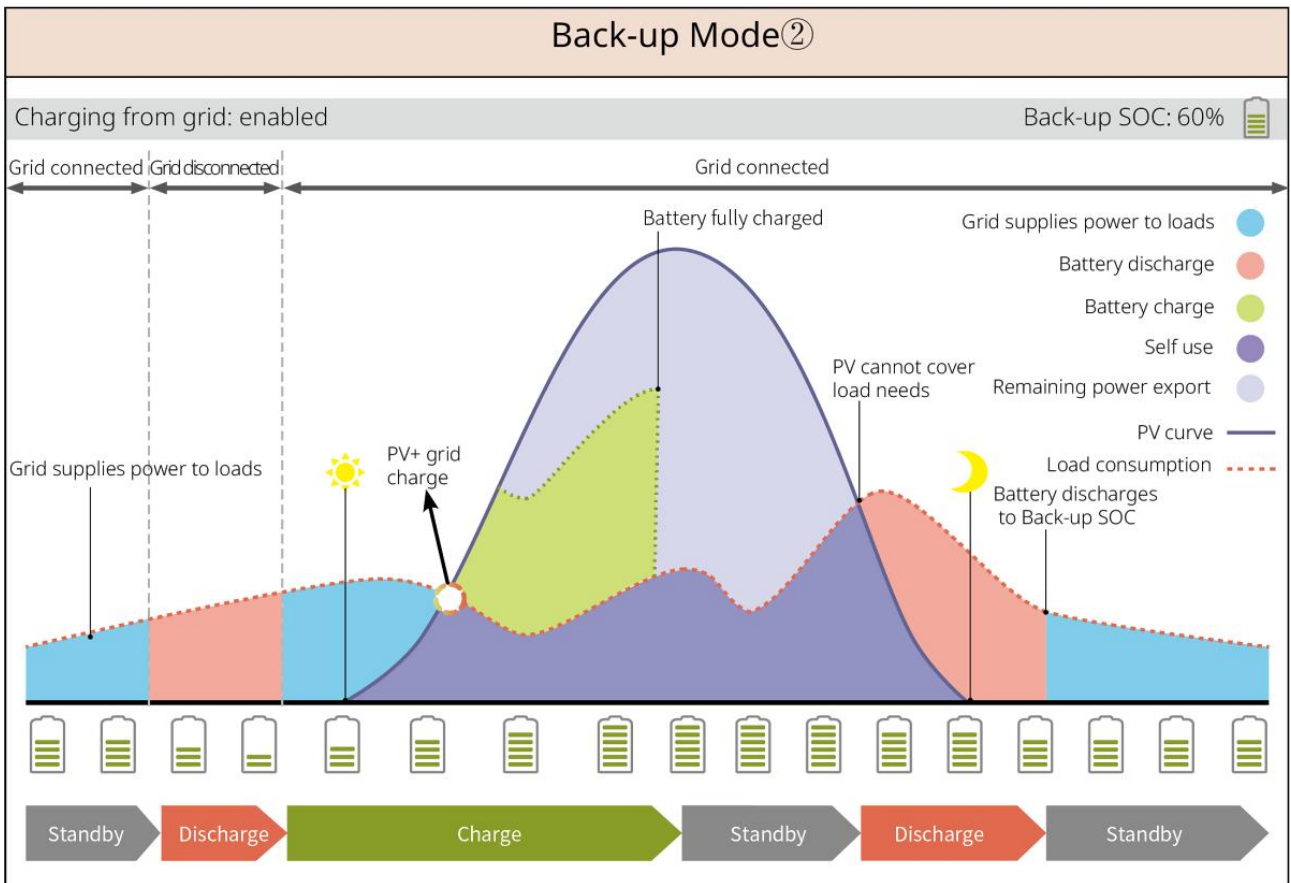


Back-up mode

- The back-up mode is mainly applied to the scenario where the grid is unstable.
- When the grid is disconnected, the inverter turns to off-grid mode and the battery will supply power to the BACK-UP loads; when the grid is restored, the inverter switches to grid-tied mode.
- The battery will be charged to preset SOC protection value by utility grid or PV when the system is running on-grid. So that the battery SOC is sufficient to maintain normal working when the system is off-grid. The purchase of electricity from the power grid to charge the battery must comply with local laws and regulations.



SLG00NET0002

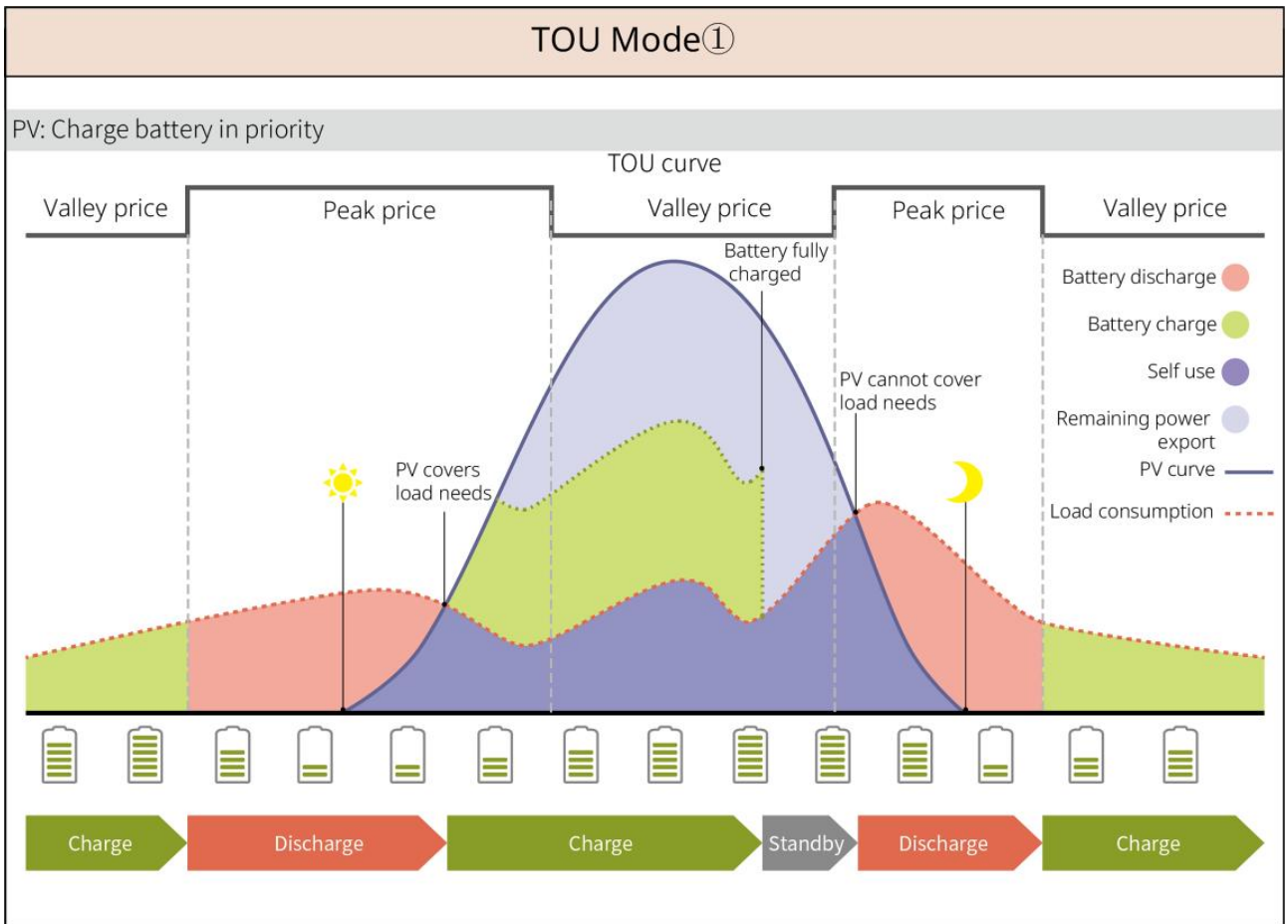


SLG00NET0003

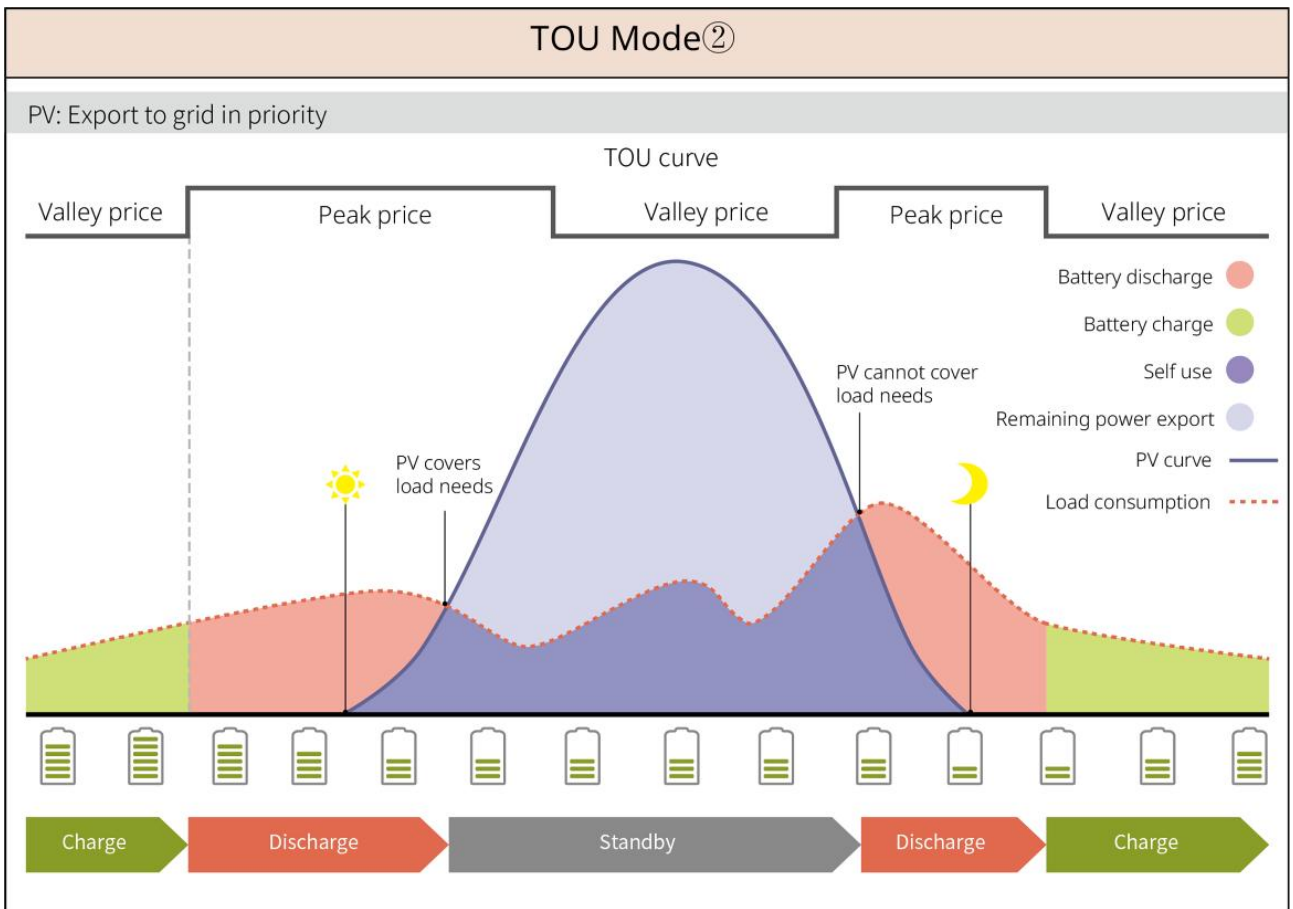
TOU mode

It is recommended to use TOU mode in scenarios when the peak-valley electricity price varies a lot. Select TOU mode only when it meets the local laws and regulations.

For example, set the battery to charge mode during Vally period to charge battery with grid power. And set the battery to discharge mode during Peak period to power the load with the battery.



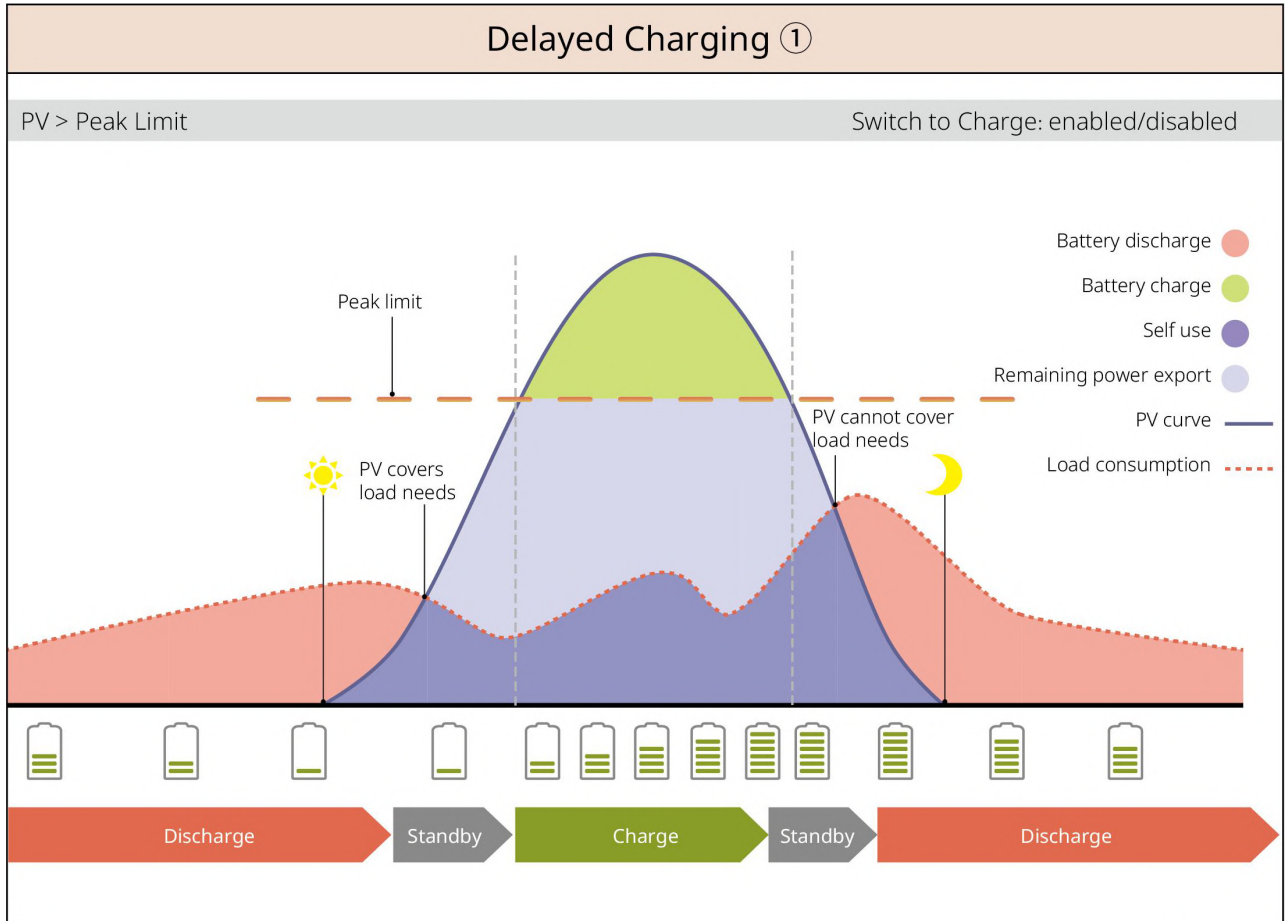
SLG00NET0004



SLG00NET0005

Delayed Charging mode

- In some countries/regions, the PV power feed into the utility grid is limited.
- Set peak limit power, charge the battery using the surplus power when the PV power exceeds the peak limit power. Or set charging time, during the charging time, the PV power can be used to charge the battery.

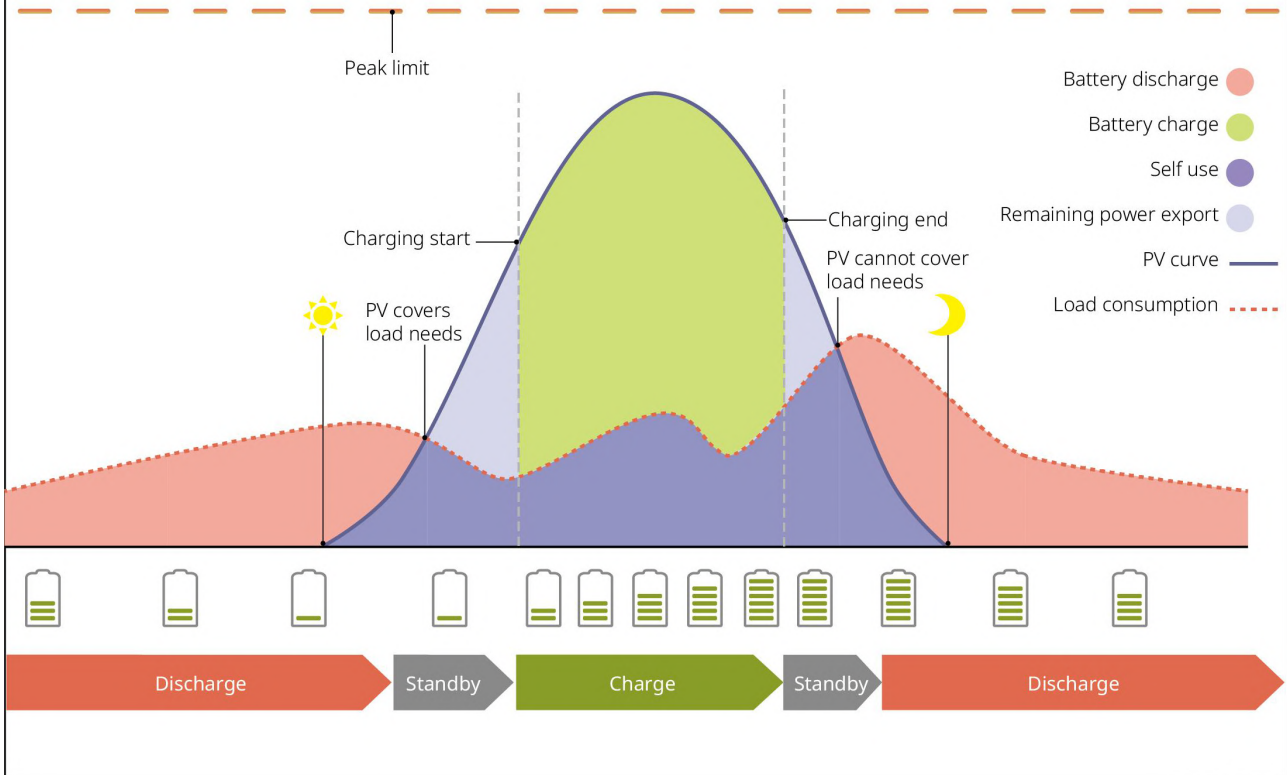


SLG00NET0006

Delayed Charging ②

PV < Peak Limit

Switch to Charge: enabled

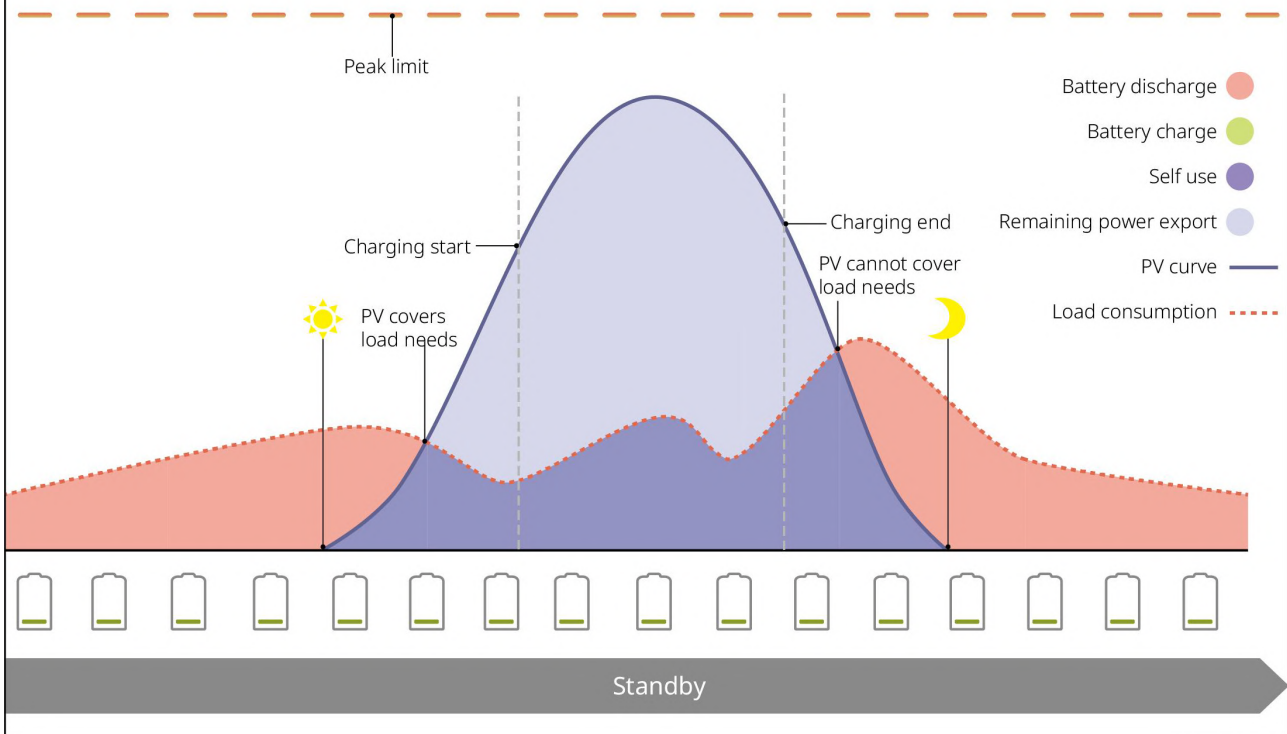


SLG00NET0007

Delayed Charging ③

PV < Peak Limit

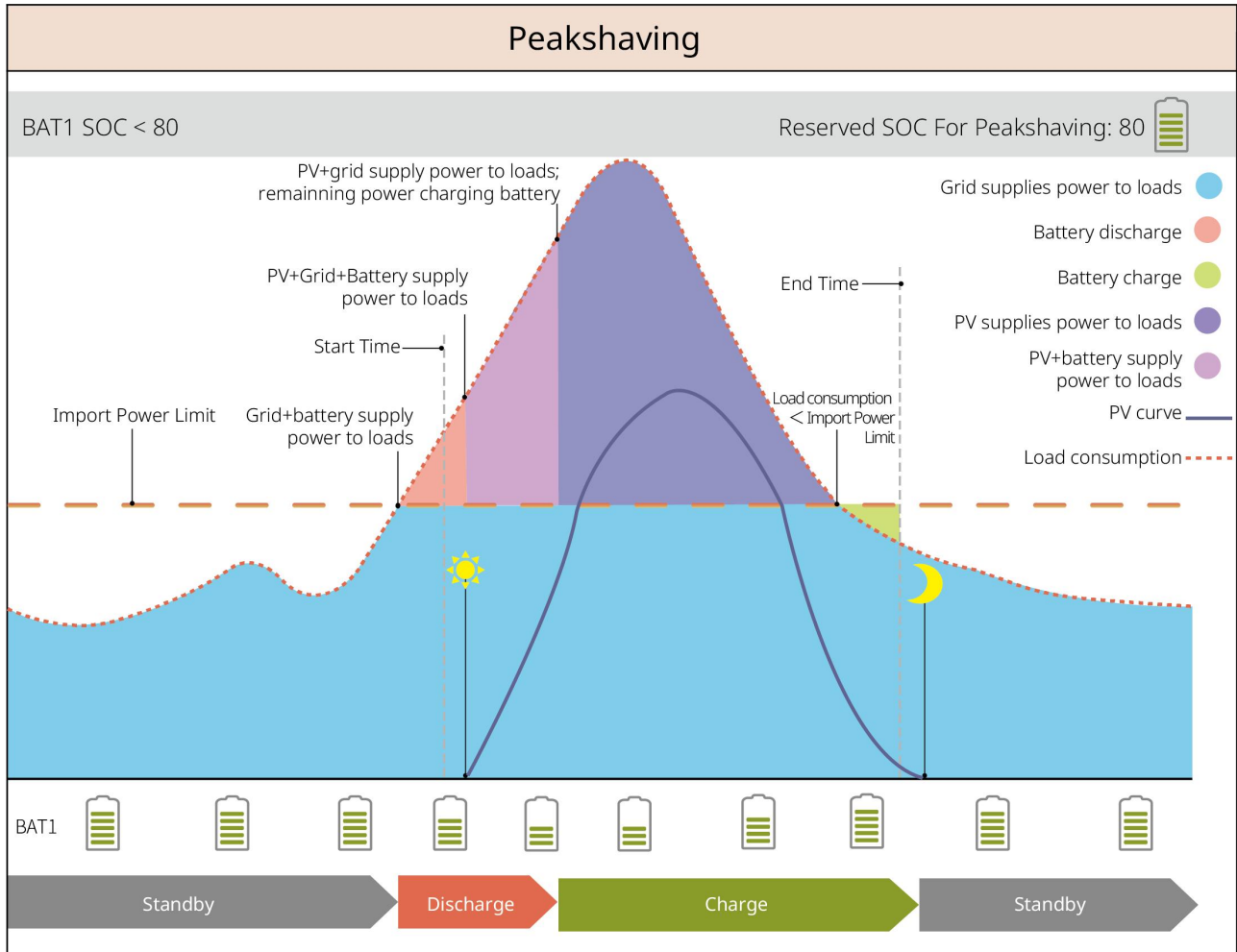
Switch to Charge: disabled



SLG00NET0008

Peakshaving Mode

- Peakshaving mode is mainly applicable to industrial and commercial scenarios.
- When the total power consumption of the loads exceeds the peak shaving limit, the battery discharges to reduce the power consumption exceeds the peak shaving limit.
- If the SOC of the battery system is lower than the Reserved SOC for Peakshaving, the system will import power from the utility grid according to the set time period, load power, and Import Power Limit.



SLG00NET0001

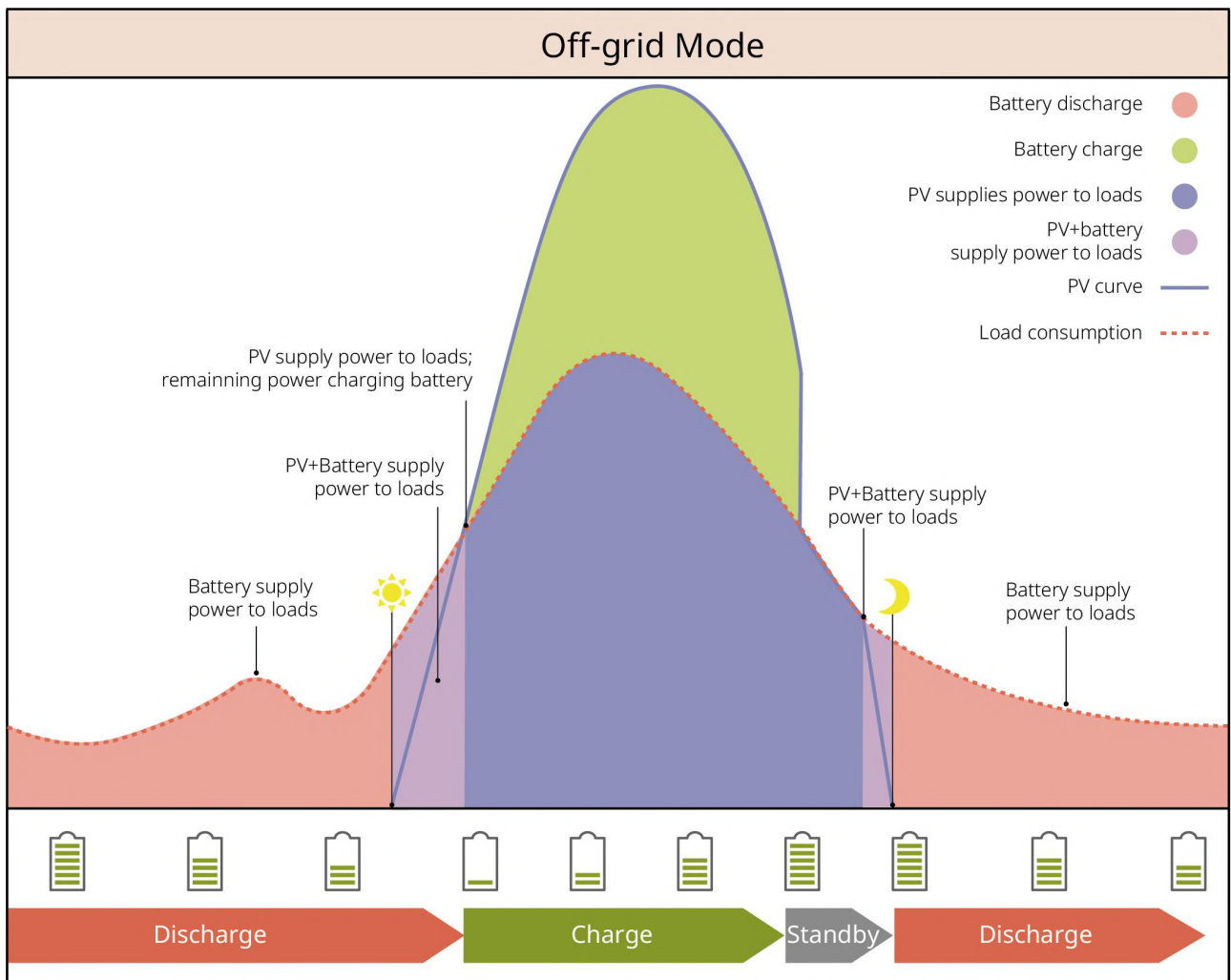
Off-grid Mode

NOTICE

- Please do not operate the energy storage system in pure off-grid mode for long periods of time, otherwise there is a risk of over-discharge when the battery cannot be charged in low temperature or low light conditions.
- Do not operate in pure off-grid mode when the inverter is not connected to the battery system.

When the power grid fails, the inverter switches to off-grid mode.

- During the day, PV power generation is prioritized for supplying power to loads, and excess power is used to charge batteries.
- Nighttime battery discharge powers the load to ensure uninterrupted power supply to the backup load.



SLG00NET0012

3.5 Features

Three Phase Unbalanced Output

Both the on-grid and BACK-UP ports of the inverter supports three phase unbalanced output , and each phase can connect loads of different power. The maximum output power per phase of different models is shown in the following table:

Models	Max. Output Power per Phase (W)
GW25K-ET-10	1/3 x 27.5kW
GW30K-ET-10	1/3 x 33kW
GW40K-ET-10	1/3 x 44kW
GW50K-ET-10	1/3 x 55kW

4 Check and Storage

4.1 Check before Receiving

Check the following items before receiving the product.

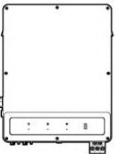
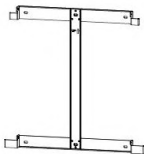
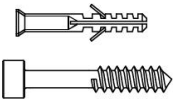
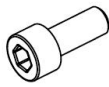
1. Check the outer packing box for damage, such as holes, cracks, deformation, and other signs of equipment damage. Do not unpack the package and contact the supplier as soon as possible if any damage is found.
2. Check the anti-tipping label on the outer package of the battery cabinet. If the circular mark is white, it indicates transportation was normal; if red, then it indicates the package tipped during transit. Do not open the package and contact your dealer.
3. Check the product model. If the model is not what you requested, do not unpack the product and contact the supplier.
4. After unpacking, check the anti-tipping labels of the battery on the inner front door and side walls. If the circular mark is white, it indicates normal transportation; if red, it means the battery tipped during transit. Do not use this battery and contact the after-sales service center for inspection and repair.

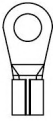

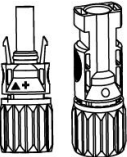
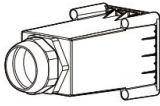
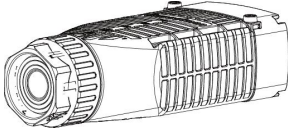

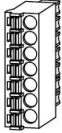
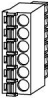
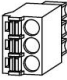
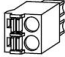

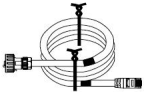





4.2 Package Content



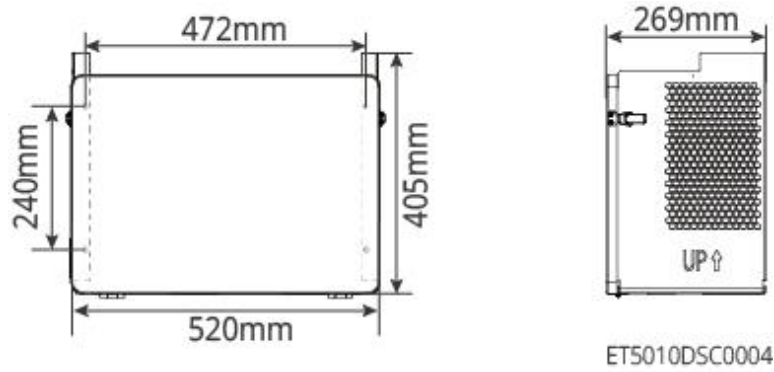
Check the deliverables for correct model, complete contents, and intact appearance. Contact the supplier as soon as possible if any damage is found.





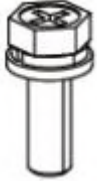



4.2.1 Package of the Inverter (ET 25-50kW)

Parts	Description	Parts	Description
	Inverter x 1		Mounting plate x 1
	Expansion bolt x 6		M5 Screw x 2

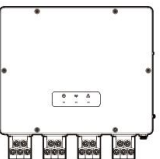
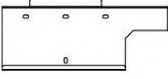
Parts	Description	Parts	Description
	Grounding terminal x 1		PIN terminal x 25
	PV connector <ul style="list-style-type: none"> ● GW25K-ET-10 x 6 ● GW30K-ET-10 x 6 ● GW40K-ET-10 x 6 ● GW50K-ET-10 x 8 	 or 	AC cover x 1
	Smart dongle x 1		7PIN terminal x 1
	6PIN terminal x 1		3PIN terminal x 2
	2PIN terminal x 2		Battery connector x 2
	Smart meter communication cable x 1		AC OT terminal x 6
	PV wiring tool x1		Insulation sleeve x 6
	Smart meter and accessories x 1		Documents x 1

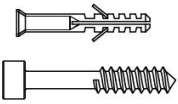

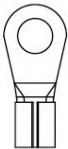
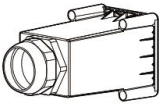
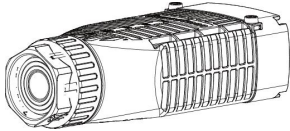


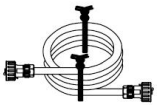

Package of the Protective Cover (Optional)



Parts	Description	Parts	Description
	Front Cover Plate of the Protective Cover x 1		Protective Cover Base Plate x 1
	Right side panel of the protective cover x 1		Left side panel of the protective cover x 1
	M5 screw x 10		Expansion bolt x 4
	M5 nut x 5		Cable tie x 10

4.2.2 Package of the STS

Parts	Description	Parts	Description
	STS x 1		Mounting plate x 1

Parts	Description	Parts	Description
	Expansion bolt x 4		M5 Screw x 2
	PE terminal x 1	 or 	AC cover x 4
	AC OT terminal x 22 The AC OT terminals shipped with the inverter are suitable for scenarios with a current of 90A. If the circuit current is 200A, please contact the supplier or after-sales service center to obtain the corresponding specification terminals.		Insulation sleeve x 22
	Inverter communication cable x 1 Standard: 10m. The length is optional, and the maximum length is 100m.		Documents x 1

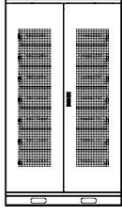

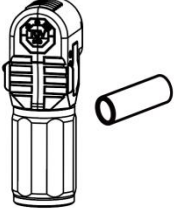
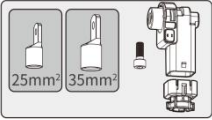



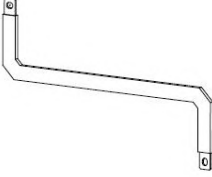
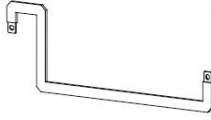
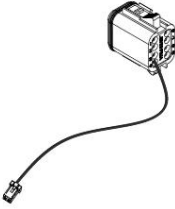



4.2.3 Package of the Battery

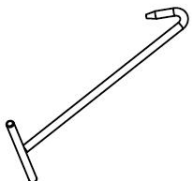
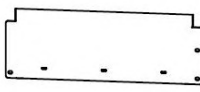




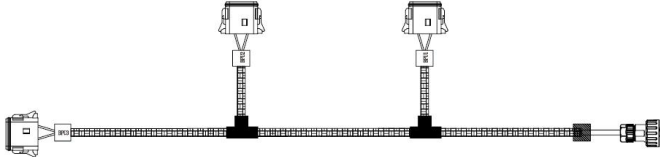
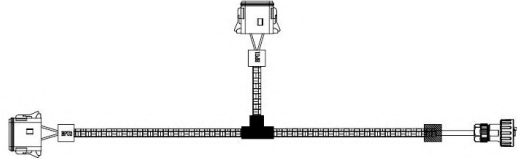
4.2.3.1 Lynx C Series 101-156kWh High Voltage Battery

NOTICE

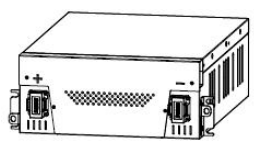
All the other accessories except the battery cabinet are put in the battery cabinet.

● **Battery Cabinet and Accessories**

Parts	Description	Parts	Description
	Battery cabinet x 1		AC connector x 1
 <p>Or</p> 	Diameter-varying tube x 2 & Power cable connector A x 2 or Power cable connector B x 2		Cable tie x 20
	Battery power connecting bar A x 1		Battery power connecting bar B x 1
	Battery power connecting bar C <ul style="list-style-type: none"> ● LX C101-10 x 9 ● LX C120-10 x 11 ● LX C138-10 x 13 ● LX C156-10 x 15 		Battery power connecting bar D x 1
	COM cable between PCU and battery x 1		COM cable between batteries <ul style="list-style-type: none"> ● LX C101-10 x 10 ● LX C120-10 x 12 ● LX C138-10 x 14 ● LX C156-10 x 16
	M6 screw <ul style="list-style-type: none"> ● LX C101-10, LX C120-10 x 56 ● LX C138-10, LX C156-10 x 72 		M8 screw <ul style="list-style-type: none"> ● LX C101-10 x 24 ● LX C120-10 x 28 ● LX C138-10 x 32 ● LX C156-10 x 36

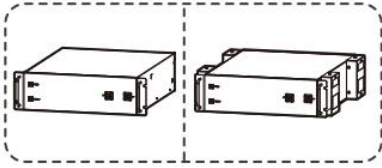
Parts	Description	Parts	Description
	Mounting hook x 4		Sealing plate <ul style="list-style-type: none"> ● LX C101-10 x 10, LX C138-10 x 2 ● LX C120-10, LX C156-10 x 0
	PE terminal x 2		ET 25-50 series inverter communication cable x 1
	ETC/ BTC series inverter communication cable x 1		Documents x 1
			Communication cable for 3 sets of batteries in parallel connection x 1 (purchase separately)
			Communication cable for 2 sets of batteries in parallel connection x 1 (purchase separately)

● **Battery Packs**

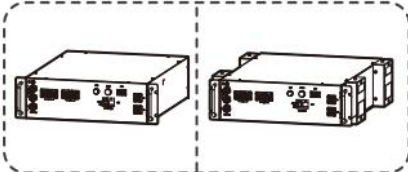
Parts	Description
	Battery Packs <ul style="list-style-type: none"> LX C101-10 x 11 LX C120-10 x 13 LX C138-10 x 15 LX C156-10 x 17

4.2.3.2 BAT-S Series 25.6-56.3kWh High Voltage Battery

● **PACK package**







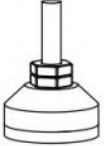

Parts	Description
	<p>Battery Packs</p> <ul style="list-style-type: none"> ● GW25.6-BAT-I-G10: x 5 ● GW30.7-BAT-I-G10: x 6 ● GW35.8-BAT-I-G10: x 7 ● GW40.9-BAT-I-G10: x 8 ● GW46.0-BAT-I-G10: x 9 ● GW51.2-BAT-I-G10: x 10 ● GW56.3-BAT-I-G10: x 11


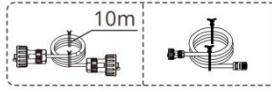
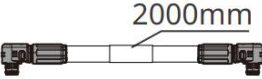
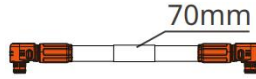
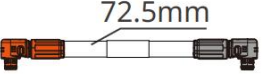
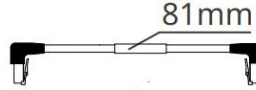

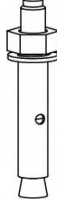


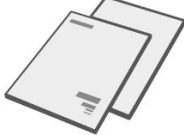
● PCU package

Parts	Description
	<p>PCU x 1</p>

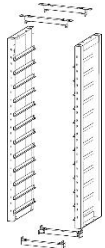

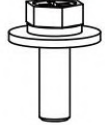


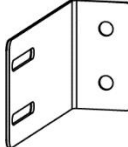
● Accessory package

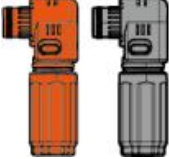
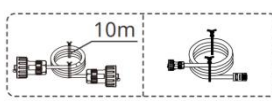
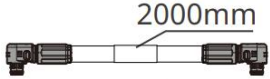
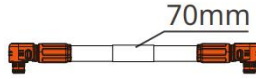
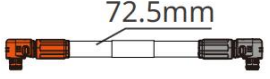
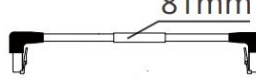

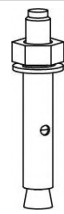


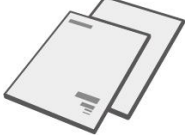
■ Stacked

Parts	Description	Parts	Description
	<p>Anti-tipping bracket x 4</p>		<p>Wall mounting bracket x 4</p>
	<p>Equipotential connection tab x 15</p>		<p>M5 Screws x N</p>
	<p>Cable protection sleeve x 1</p>		<p>Expansion bolts x 8</p>
	<p>Adjustable feet x 4</p>		<p>Base x 1</p>

Parts	Description	Parts	Description
	Power cable connector x 2		Communication cable between a battery and an inverter x 1
	B- power cable x 1		B+ power cable x 1
	Power cable x N		Communication cable between batteries x N
	PE terminal x 2		M12 Expansion bolt x 4
	Name plate x 1		Cable tie x 10
	Document x 1		







■ **Rack-mounted**


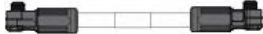
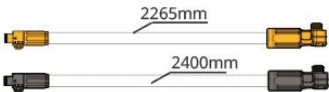

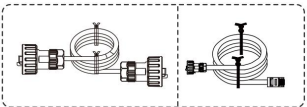
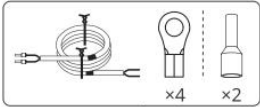


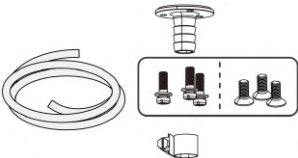


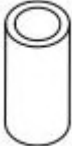

Parts	Description	Parts	Description
	Battery Racks x 1		Rubber Pad x 4
	M5 Screws x N		ST6.3 screws x 4
	Adjustable feet x 4		Wall support x 2

Parts	Description	Parts	Description
	Power cable connector x 2		Communication cable between a battery and an inverter x 1
	B- power cable x 1		B+ power cable x 1
	Power cable x N		Communication cable between batteries x N
	PE terminal x 2		M12 Expansion bolt x 4
	Name plate x1		Cable tie x 10
	Document x 1		

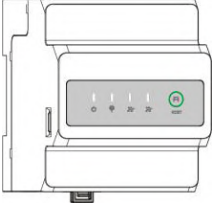
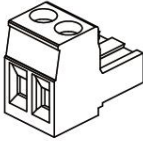

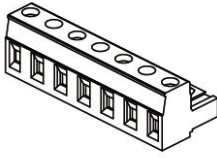


4.2.3.3 BAT-C Series 92.1-112.6kWh C&I Battery System

- Batteries and Accessories

Component	Explanation	Component	Explanation
	Battery cabinet x 1		Expansion bolt x 4
	PE M5 screw x 3		PE terminal x 3
	Inverter-to-battery system connectors 25mm ² x 2		Inter-battery system connectors 50mm ² x 2

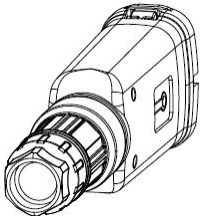

Component	Explanation	Component	Explanation
	<p>Power cable between Packs</p> <ul style="list-style-type: none"> ● GW92.1-BAT-AC-G10 x 8 ● GW102.4-BAT-AC-G10 x 9 ● GW112.6-BAT-AC-G10 x 10 		<p>Power cable between Pack (-) and PCU (-) x 1</p>
	<p>Inverter-to-battery system power cable (+) x 1 Inverter-to-battery system power cable (-) x 1</p>		<p>Adapter Bracket x 2 (Required only for ET100)</p>
	<p>Communication cable between a battery and an inverter x 1</p>		<p>Power supply cable for air conditioner x 1</p>
	<p>Fireproof putty x 8</p>		<p>Cable tie x 20</p>
	<p>Air conditioner water pipe x 1</p>		<p>Lifting ring x 4</p>
	<p>Bellow joints x N</p>		<p>25mm² to 10mm² Round tube terminals x N</p>
	<p>Documents x 1</p>		

4.2.4 Smart Meter (GM330)

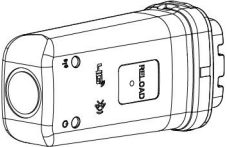

Parts	Description	Parts	Description
	Smart meter x 1		2PIN terminal x 1
	Tubular terminal x 6		7PIN terminal x 1
	Screw driver x 1		Documents x 1

4.2.5 Smart Dongle

WiFi/ LAN Kit-20

Parts	Description	Parts	Description
	Smart dongle x 1		Documents x 1

4G Kit-G20

Parts	Description	Parts	Description
	4G Smart dongle x 1		Documents x 1

4.3 Storage

If the equipment is not to be installed or used immediately, please ensure that the storage environment meets the following requirements.

- If the inverter has been stored for more than two years or has not been in operation for more than six months after installation, it is recommended to be inspected and tested by professionals before being put into use.
- To ensure good electrical performance of the internal electronic components of the inverter, it is recommended to power it on every 6 months during storage. If it has not been powered on for more than 6 months, it is recommended to be inspected and tested by professionals before being put into use.
- In order to protect the performance and life of the battery, it is recommended to avoid unused storage for a long period of time. Prolonged storage may cause deep discharging of the battery, resulting in irreversible chemical loss, leading to capacity degradation or even complete failure, timely use is recommended. If the battery is to be stored for a long period of time, please maintain it as follows.

Battery	Battery storage initial SOC range	Recommended Storage Temperature	Charing and Discharging Maintaining Period	Battery Maintaining Method
Lynx C Series 101-156kWh High Voltage Battery	30%~50%	0~35°C	-20°C ≤ T < 0°C, ≤ 1 month 0°C ≤ T ≤ 35°C, ≤ 6 months 35°C < T ≤ 45°C, ≤ 1 month	Contact the dealer or the after-sales service for maintenance methods.
BAT Series 25.6-56.3kWh High Voltage Battery	30%~40%	0~35°C	-20~35°C, ≤ 12 months 35~+45°C, ≤ 6 months	
BAT Series 92.1-112.6kWh C&I Battery System				

NOTICE

After passing the charging/discharging maintenance, if there is a Maintaining Label attached to the outer box, then please update the maintenance information on the Maintaining Label. if there is no Maintaining Label, please record the maintenance time and SOC of the batteries and keep the data to facilitate the keeping of maintenance records.

Packing requirements:

Do not unpack the outer package or throw the desiccant away.

Installation environment requirements:

1. Place the equipment in a cool place where away from direct sunlight.
2. Store the equipment in a clean place. Make sure the temperature and humidity are appropriate and no condensation. Do not install the equipment if the ports or terminals are condensed.
3. Keep the equipment away from flammable, explosive, and corrosive matters.

Stacking requirements:

1. The height and direction of the stacking equipment should follow the instructions on the packing box.
2. The equipment must be stacked with caution to prevent them from falling.

5 Installation



Install and connect the equipment using the deliverables included in the package. Otherwise, the manufacturer shall not be liable for the damage.

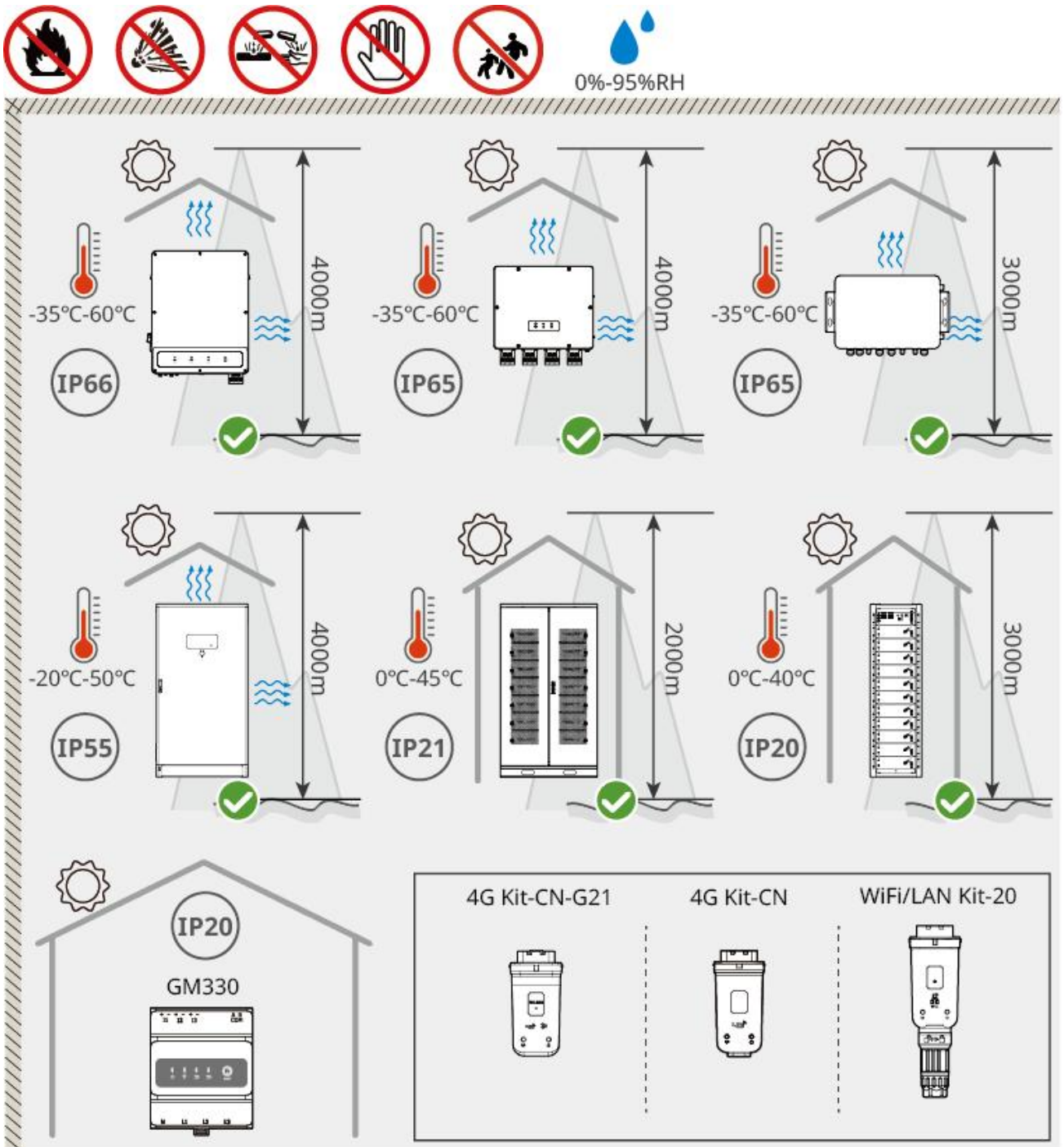
5.1 System Installation and Commissioning Procedure

Steps	1 Installation	2 PE	3 PV	4 Battery	5 AC	6 COM	7 Communication module		
Inverter									
Tools	1 D: 80mm φ: 8mm 2 M5 1.2-2N-m	M5 1.5-2N-m	Recommend: PV-CZM-61100	Recommend: YQK-70	1 M8 6-8N-m 2 M4 1.2N-m	1 M8 8-10N-m 2 M4 0.8N-m M4 1.5N-m	4G Kit-CN LS4G Kit-CN WIFI/LAN Kit-20		
Steps	1 Installation	2 PE	3 Battery	4 COM	5 Air-conditioner wiring				
Battery									
Tools	1 D: 80mm φ: 14mm 2 M12 50N-m	M6 4.5-6N-m	M5 4N-m M8 10N-m	M5 4N-m M8 10-12N-m	M4 1.2N-m				
Steps	1 Installation				2 PE	3 Battery	4 COM		
Battery									
Tools	1 M5 4N-m 2 M12 50N-m 3 M5 4N-m 4 M5 4N-m 5 M5 4N-m 6 D: 60mm φ: 8mm 7 M6 6N-m				M5 4N-m	M5 4N-m	M5 4N-m		
Steps	1 Installation	2 PE	3 AC	4 CT	5 COM	6 ETH	7 4G	8 DO/DI/AI/PT	
Controller SEC3000C									
Tools	1 D: 70mm φ: 15mm 2 M12 42N-m 3 M10 24N-m	M5 1.5-2N-m	M7 2-2.5N-m	0.5N-m				M2 0.5N-m	
Steps	1 Installation	2 PE	3 AC	4 COM	Steps	1 Installation	2 Cable Connections	3 Power	4 Commissioning
STS					Smart meter GM330				
Tools	1 D: 80mm φ: 8mm 2 M5 1.2-2N-m	M5 1.5-2N-m	1 M8 6-8N-m 2 M4 1.2N-m	1 M8 8-10N-m 2 M4 0.8N-m				AC breaker 1.2-2N-m	SolarGo APP SEMS+ APP SEMS+ WEB

5.2 Installation Requirements

5.2.1 Installation Environment Requirements

1. Do not install the equipment in a place near flammable, explosive, or corrosive materials.
2. The temperature and humidity at the installation site should be within the appropriate range.
3. keep away from children.
4. 60°C high temperature exists when the equipment is working. Do not touch the surface to avoid burning.
5. Install the equipment in a sheltered place to avoid direct sunlight, rain, and snow. Build a sunshade if it is needed.
6. The inverter output power may decrease due to direct sunlight or high temperature.
7. The place to install the equipment shall be well-ventilated for heat radiation and large; enough for operations.
8. Check the protection rating of the equipment and ensure that the installation environment meets the requirements.
 - The inverter, smart dongle and smart energy controller can be installed both indoors and outdoors.
 - Meters can be installed indoors
 - BAT Series 92.1-112.6kWh C&I Battery System can be installed both indoors and outdoors.
 - Lynx C Series 101-156kWh High Voltage Battery and BAT Series 25.6-56.3kWh High Voltage Battery need to be installed indoors and in a ventilated environment.
9. Install the equipment at a height that is convenient for operation and maintenance, electrical connections, and checking indicators and labels.
10. The altitude to install the equipment shall be lower than the maximum working altitude of the system.
11. The battery system must be installed on a level, dry surface free of depressions or slopes. Installation on surfaces prone to water accumulation or subsidence is strictly prohibited. Ensure the ground can support the weight of the battery system.
12. Consult the manufacturer before installing the equipment outdoors in salt affected areas. A salt affected area refers to the region within 500 meters offshore, and will be related to the sea wind, precipitation and topography.
13. Install the equipment away from electromagnetic interference. If there is any radio or wireless communication equipment below 30MHz near the equipment, you have to:
 - Inverter: add a multi-turn winding ferrite core at the AC output cable of the inverter, or add a low-pass EMI filter.
 - Other equipment: the distance between the equipment and the wireless EMI equipment should be more than 30m.
14. In the event of a fire, please make sure that the carbon dioxide extinguisher or Novec1230 or FM-200 is nearby. The fire cannot be put out by water or ABC dry powder extinguisher. Firefighters are required to wear full protective clothing and self-contained breathing apparatus.
15. The length of the DC and communication cables between battery and inverter should be less than 3m. Please ensure that the installation distance between the inverter and the battery meets the cable length requirements.
16. The equipment generates noise during operation. Installation locations should be situated away from areas with high noise sensitivity, such as residential zones, schools, and hospitals. This prevents the operational noise from disturbing individuals living in nearby environments.



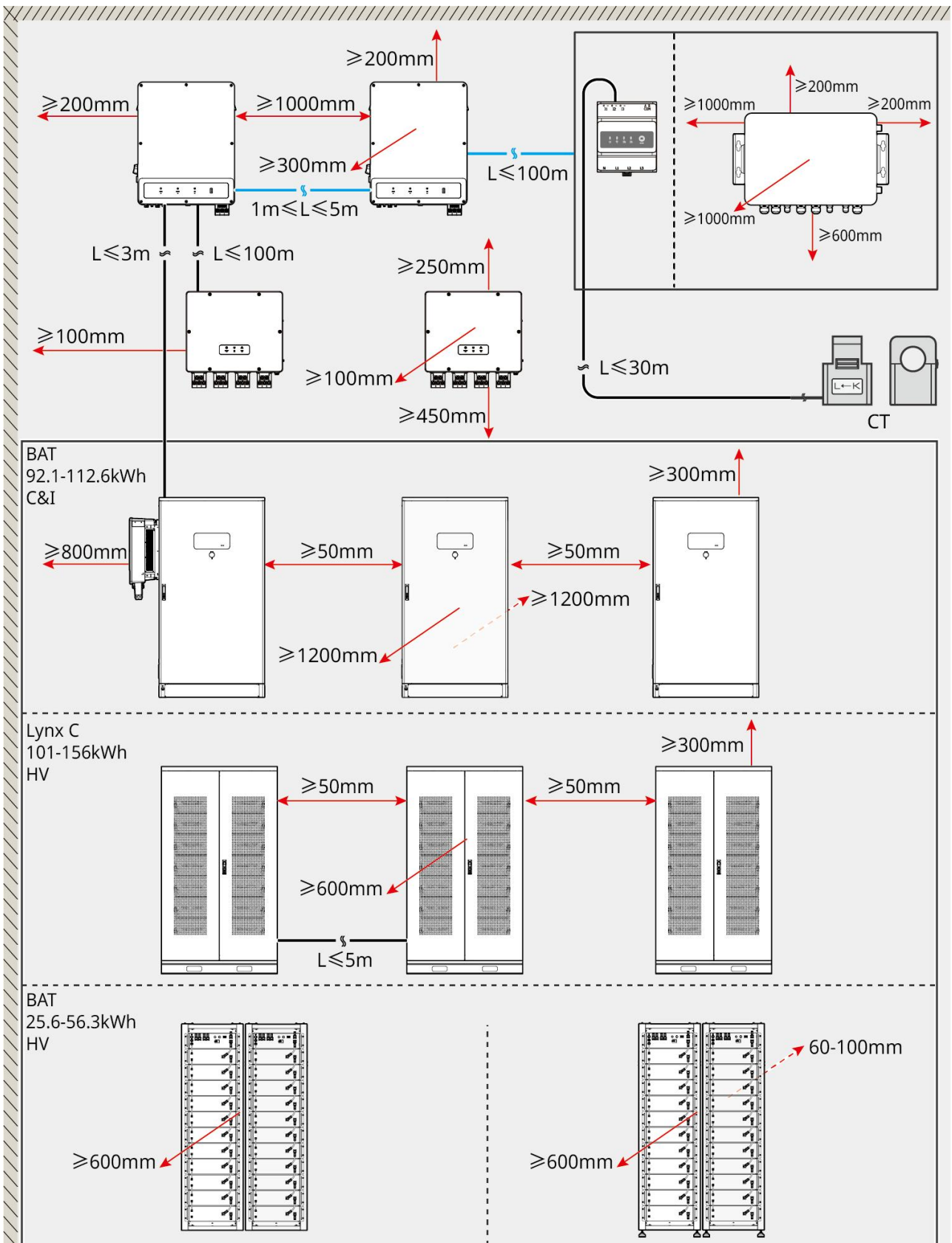
ET5010INT0002

5.2.2 Installation Space Requirements

Reserve enough space for operations and heat dissipation when installing the system.

NOTICE

The installation space for the battery can be adjusted based on the actual installation scenario and local regulations.



ET5010INT0003

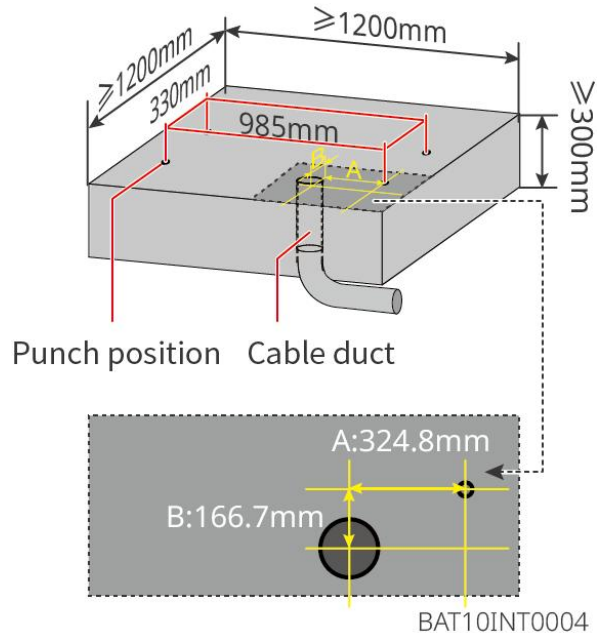
5.2.3 Foundation Requirements

NOTICE

Only the BAT Series 92.1-112.6kWh C&I Battery Systems require foundation construction.
The conduit can be replaced with appropriate PVC pipes according to the site requirement.

1. The foundation material must be C25 plain concrete hardened ground or other non-combustible surfaces.
2. The foundation needs to reserve trenches or outlet holes to facilitate equipment wiring.
3. Equipment (including height, pre-embedded expansion screws, conduit, etc.) should be adjusted according to the process and on-site conditions.
4. The height of the top mark of the equipment foundation can be adjusted according to the actual needs of the equipment and the site.
5. Install the equipment vertically, no tilt or upside down.
6. Trench requirement:
 - If the cable enters to the equipment from bottom, the trench must have dust-proof and rodent proof design to prevent foreign objects from entering.
 - There must be waterproof and moisture-proof design in the trench to prevent cable aging and short circuit, which may affect the normal operation of equipment.
 - Due to the thickness of the equipment cables, the trench design needs to fully reserve cable positions to ensure smooth connection and prevent wear and tear.

BAT Series 92.1-112.6kWh C&I Battery System




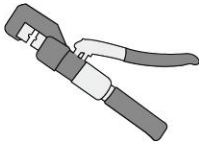



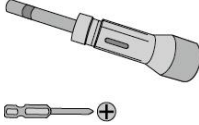











5.2.4 Tool Requirements

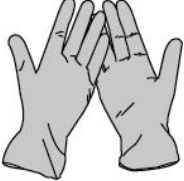

NOTICE

The following tools are recommended when installing the equipment. Use other auxiliary tools on site if necessary.

Installation Tools

Tool	Description	Tool	Description
	Diagonal pliers		RJ45 crimping tool
	Wire stripper		YQK-70 hydraulic pliers
	Adjustable wrench		PV connector tool PV-CZM-61100
	Hammer drill (Φ8mm)		Torque wrench
	Rubber hammer		Socket wrench set
	Marker		Multimeter Range ≤ 1100V
	Heat shrink tube		Heat gun
	Cable tie		Vacuum cleaner
	Level	-	-

Personal Protective Equipment

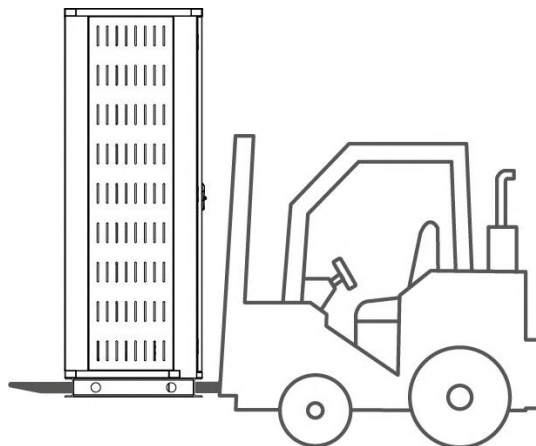
Tool	Description	Tool	Description
	Insulation gloves and safety gloves		Dust mask
	Goggles		Safety shoes

5.2.5 Transportation Requirements

WARNING

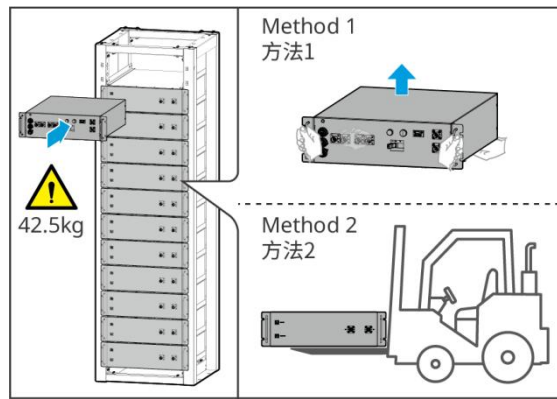
1. Operations such as transportation, turnover, installing and so on must meet the requirements of local laws and regulations.
2. Move the equipment to the site before installation. Follow the instructions below to avoid personal injury or equipment damage.
 - Consider the weight of the equipment before moving it. Assign enough personnel to move the equipment to avoid personal injury.
 - Wear safety gloves to avoid personal injury.
 - Keep the equipment in balance to avoid its falling down during moving.
 - Please ensure that the cabinet door is locked during the equipment handling process.
3. The energy storage system can be transported to the installation site by lifting or forklift.
4. When using lifting methods to transport equipment, please choose flexible slings or straps, and the load-bearing capacity of a single strap should be $\geq 2t$.
5. When using lifting methods to transport equipment, please choose flexible slings or straps, and the load-bearing capacity of a single strap should be $\geq 2t$.

- **Lynx C Series 101-156kWh High Voltage Battery**



LXC10110INT0001

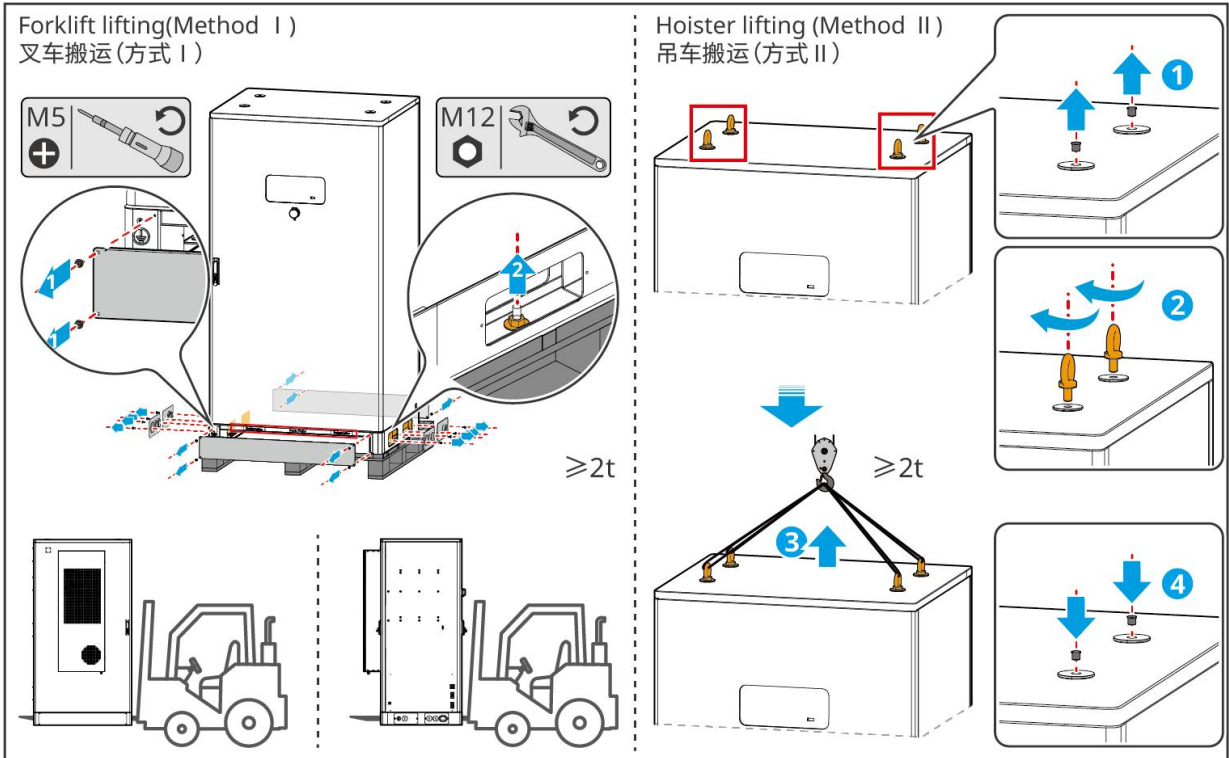
- **BAT Series 25.6-56.3kWh High Voltage Battery**



● **BAT Series 92.1-112.6kWh C&I Battery System**

NOTICE

- Remove the front panels before using a forklift to handle the batteries.
- The battery system is fastened to the skid plate with bottom screws when shipped. Remove the skid plate first before installation.



BAT10INT003

5.3 Installing the Battery System

⚠ WARNING

- Ensure that the ground is flat.
- Ensure that the energy storage system is vertically standing on the ground without risk of inclination.

5.3.1 Open the Cabinet Door

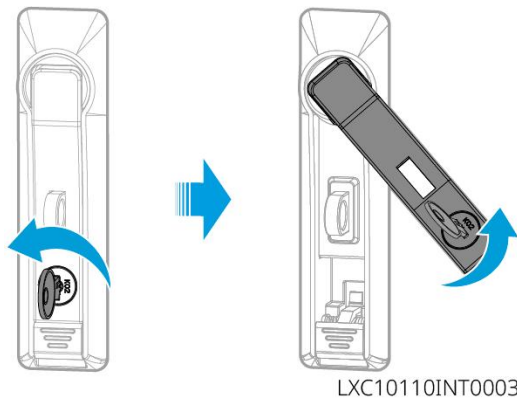


- Do not open the cabinet door during equipment transportation.
- After the equipment installation, wiring, and commissioning are completed, please close the cabinet door.

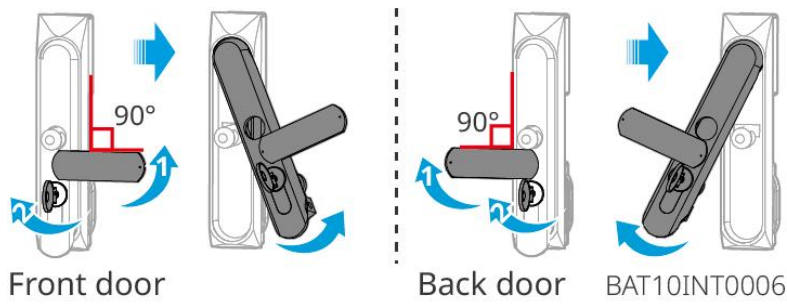
Step 1: Unlock the cabinet door with the key.

Step 2: Rotate the door handle to open the cabinet door.

- **Lynx C Series 101-156kWh High Voltage Battery**



- **BAT Series 92.1-112.6kWh C&I Battery System**



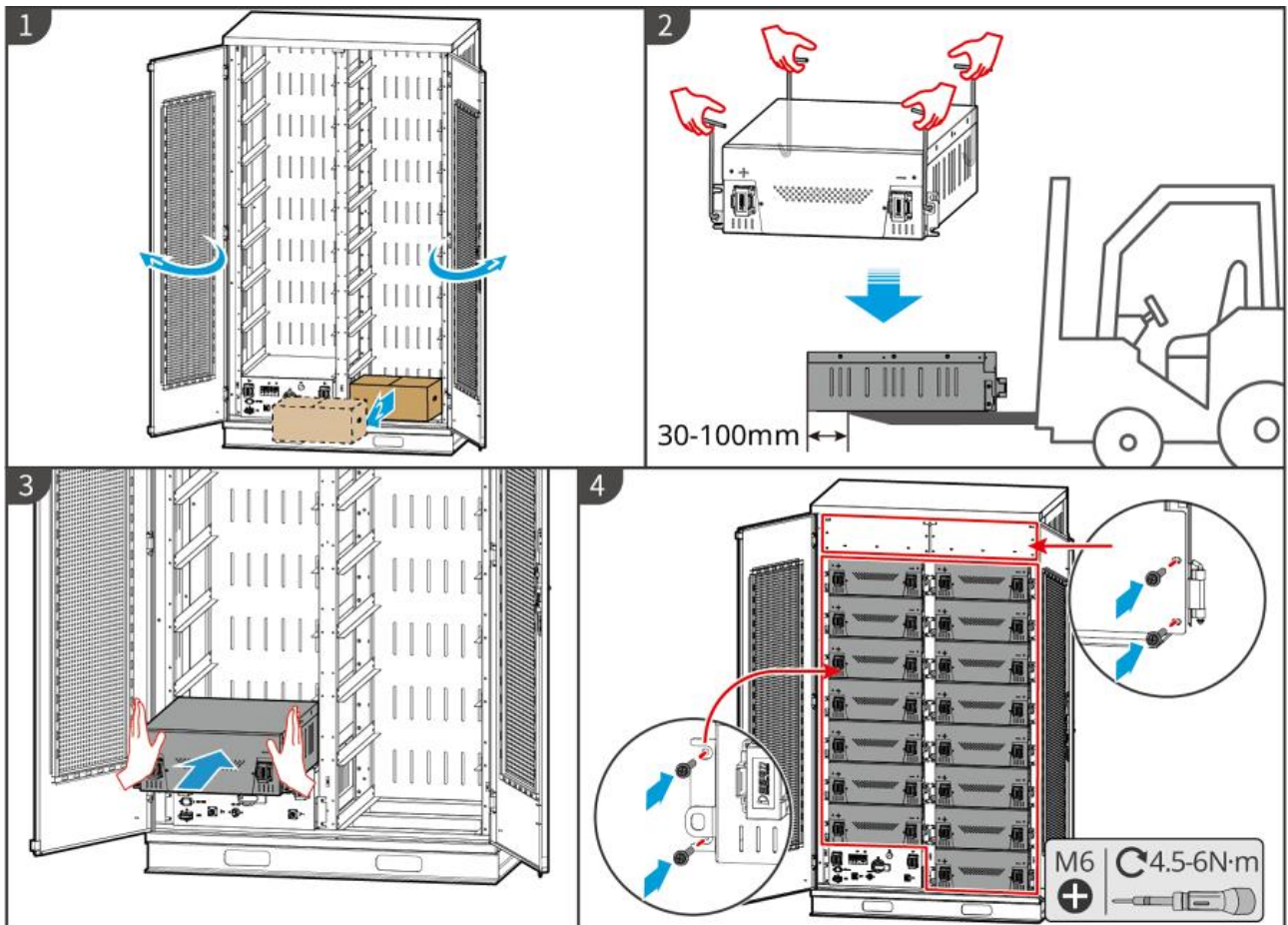
5.3.2 Installing Lynx C Series 101-156kWh High Voltage Battery

Step 1: Open the battery cabinet door and take out the accessory package.

Step 2: Use the hook to move the batteries to the fork lift or elevating devices.

Step 3: Use the fork lift or the elevating devices to install each battery into the battery cabinet from bottom to top. For LX C 101-10 and LX C138-10, do not install any battery on the top layer.

Step 4: Use M6 screws to fix the battery and sealing plate (the sealing plate is only used on the top layer for LX C101-10 and LX C138-10).



LXC10110INT0002

5.3.3 Installing BAT-S Series 25.6-56.3kWh High Voltage Battery

- **Stacked**

Step 1: Install adjustable feet under the base. The height of the adjustable feet can be adjusted within the range of 35-45mm.

Step 2: Secure the anti-tip brackets to the base.

Step 3: Mark the drilling positions for the expansion bolts on the ground with a pen.

Step 4: Install the expansion bolts.

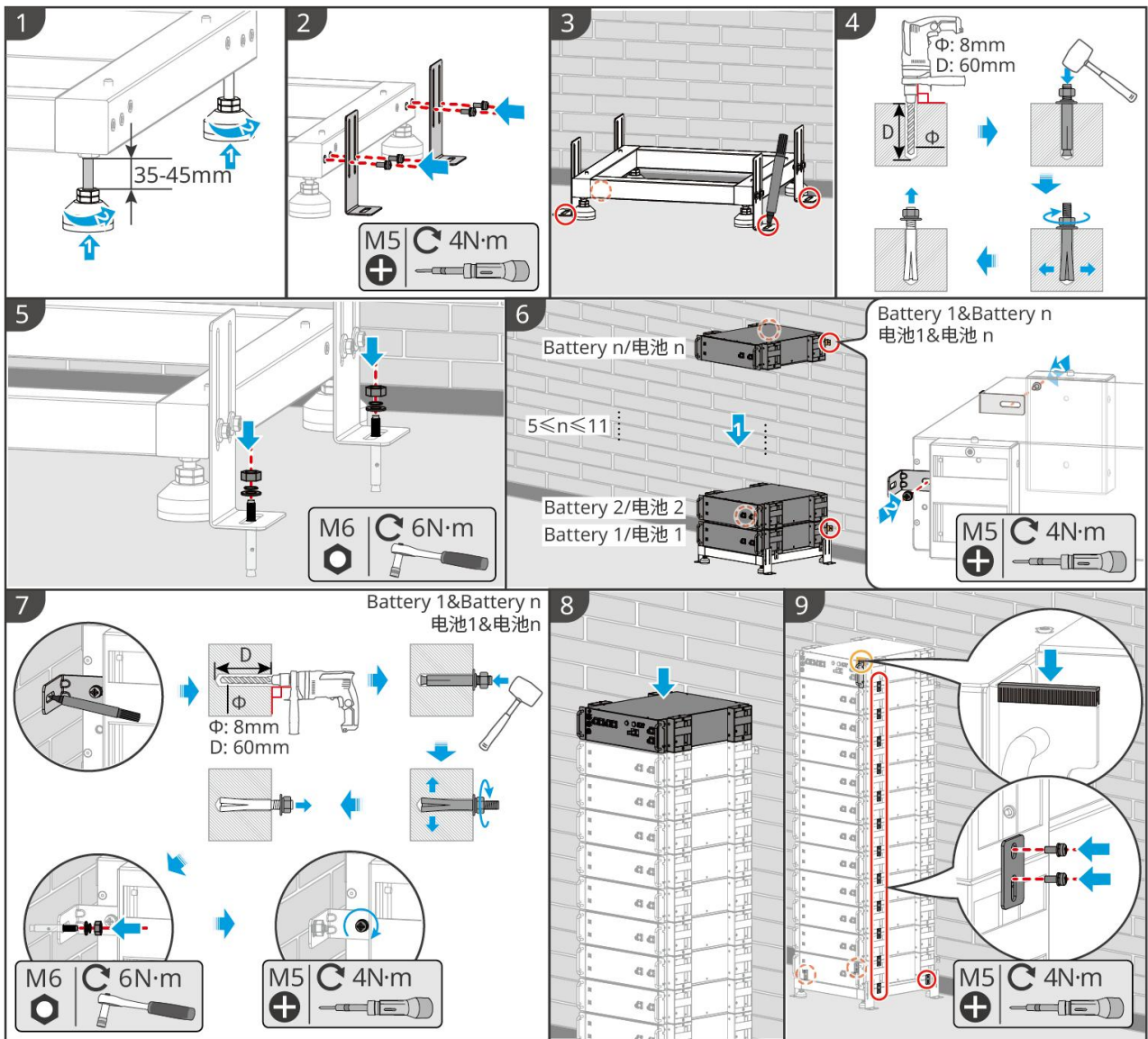
Step 5: Fix the anti-tip brackets to the ground.

Step 6: Stack the battery packs, and pre-tighten the wall fixing brackets on the first and last battery packs.

Step 7: Mark the drilling positions for the expansion bolts on the wall with a pen, fix the wall fixing brackets with the expansion bolts, and then tighten the wall fixing brackets on the battery packs.

Step 8: Place the high-voltage box.

Step 9: Tighten the equipotential bonding plate and install the cable protection sleeve.



BAT10INT0021

● Rack-mounted

Assemble the battery rack

Step 1: Lay the rack flat according to the arrow mark and align the holes according to the serial number on the rack.

Step 2: Use M5 screws to fix the round holes and then the waist holes.

Fixing the battery cabinet

Type I

Step 1: Use a marker to mark the drilling position on the horizontal ground.

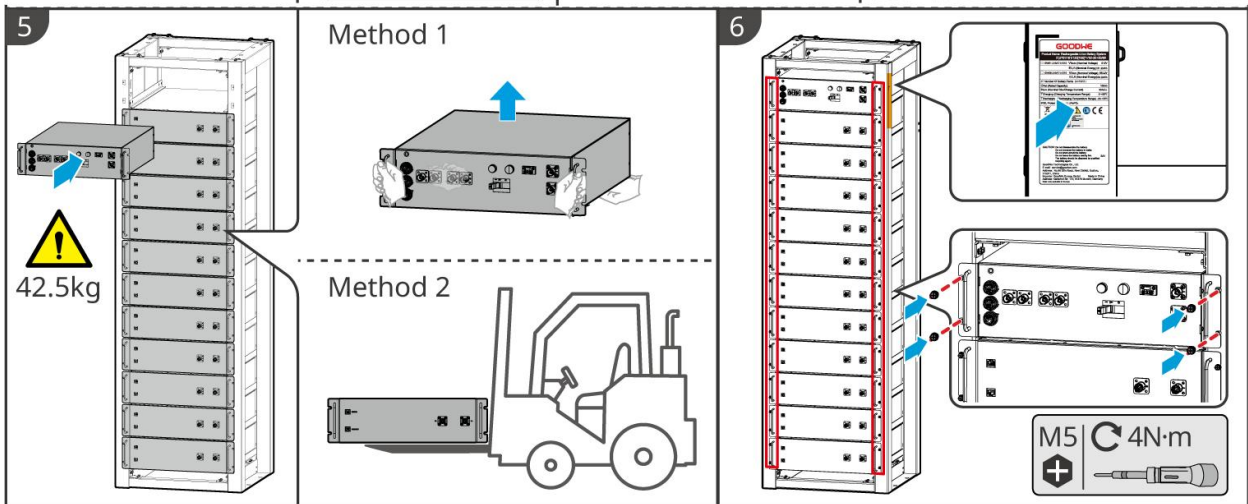
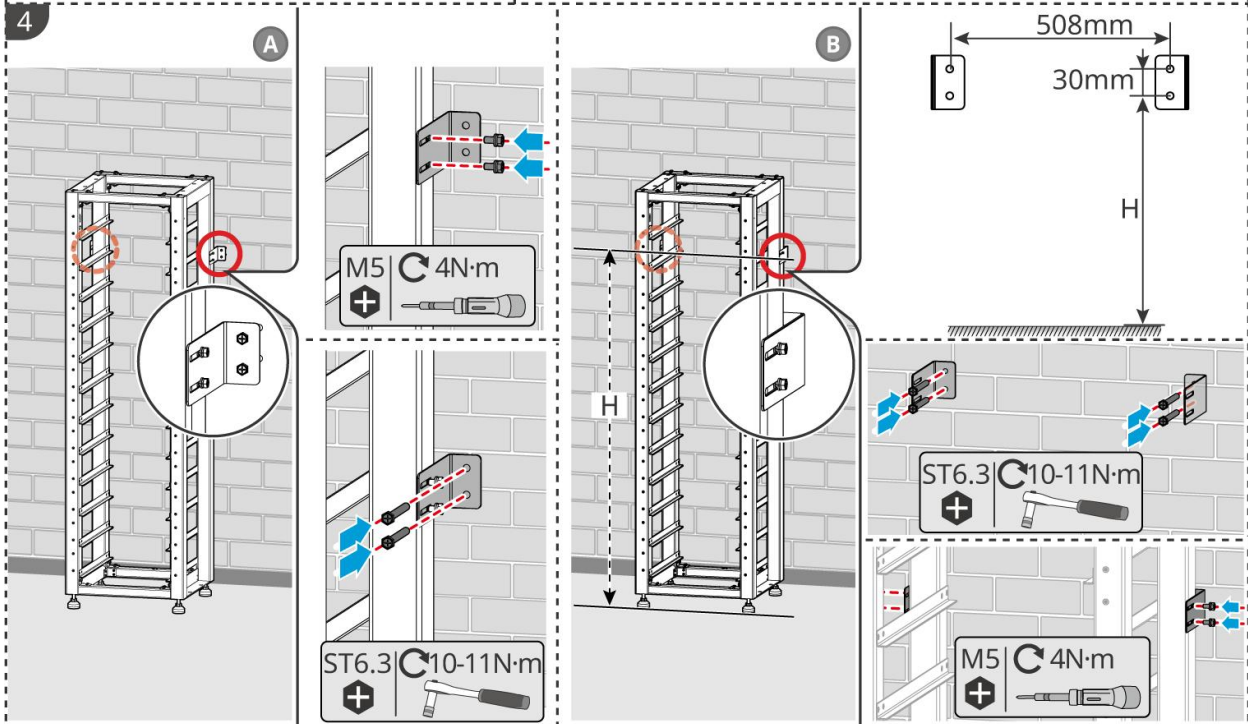
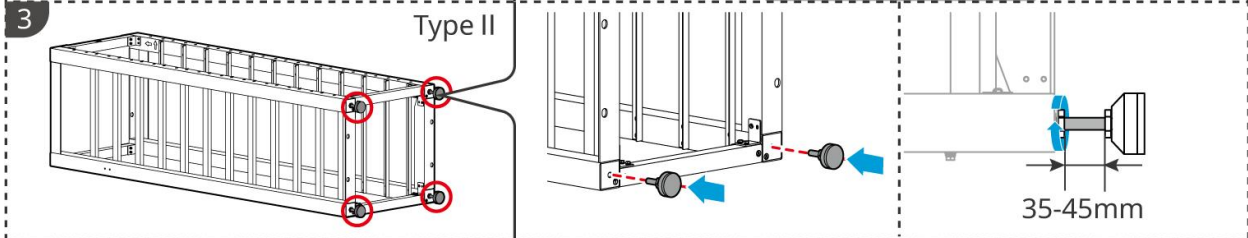
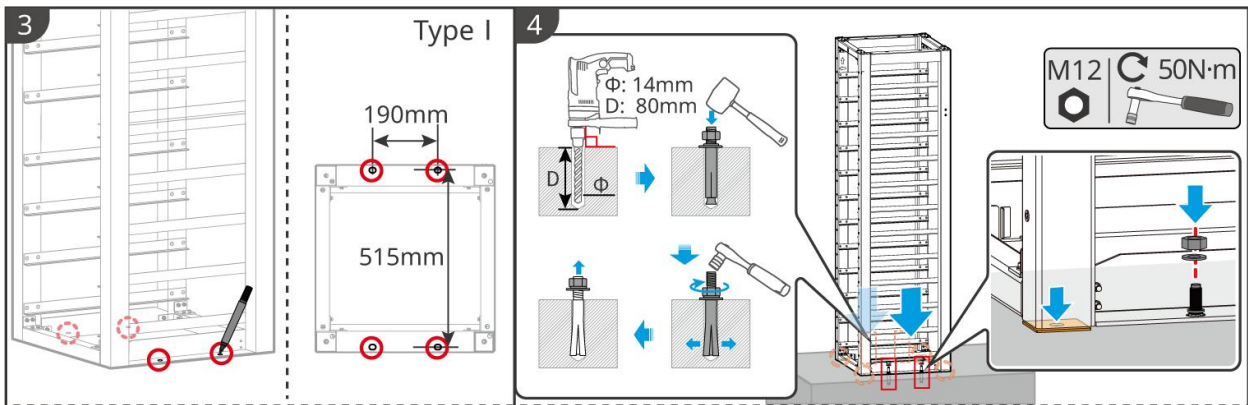
Step 2: Use an impact drill to drill holes and install expansion bolts.

Step 3: Move the battery rack to the hole position and tighten the expansion bolts with a socket wrench.

Type II

Step 1: Lay down the rack and install the adjustable feet at the bottom.

Step 2: Stand up the rack and use the wall fixing bracket to fix the battery rack to the wall.

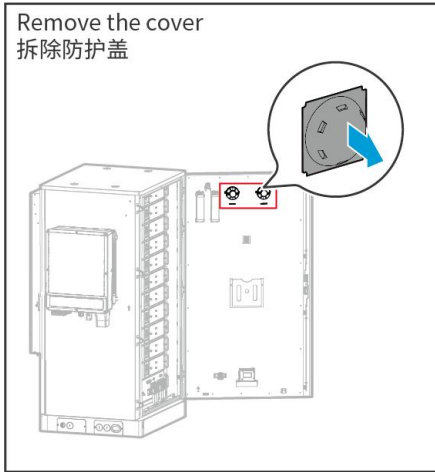


BAT10INT002

5.3.4 Installing BAT-C Series 92.1-112.6kWh C&I Battery System

Remove the the protecting cover of temperature alarm and smoke alarm

When the batteries are shipped, smoke alarms and temperature alarms are equipped with protective covers. The protective covers need to be removed for the alarms to work properly.



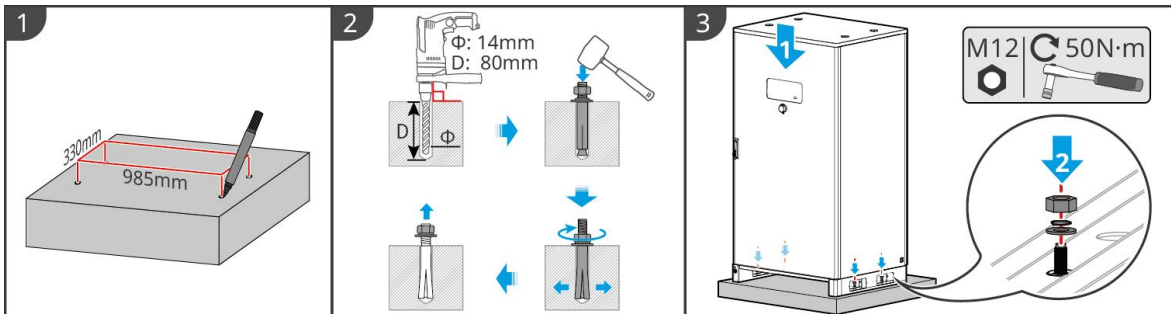
BAT10INT0016

Secure the battery system to the foundation

Step 1: Mark the drilling positions according to the dimensions shown in the diagram.

Step 2: Use an impact drill to drill holes and install expansion bolts.

Step 3: Move the battery rack to the hole positions and secure the batteries to the foundation with expansion bolts.

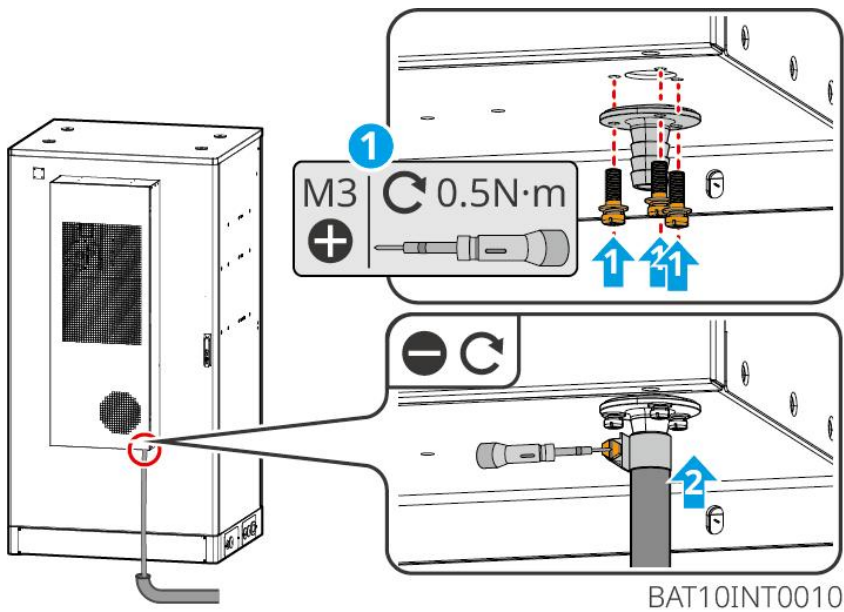


BAT10INT0005

Install the air conditioner drain pipe

Step 1: Install the drain pipe joint.

Step 2: Tighten the fixing screws of the air conditioner drain pipe and connect the drain pipe to the drainage system.



5.4 Installing the Inverter

⚠ CAUTION

- Avoid the water pipes and cables buried in the wall when drilling holes.
- Wear goggles and a dust mask to prevent the dust from being inhaled or contacting eyes when drilling holes.
- Make sure the inverter is firmly installed in case of falling down.

Inverter Installation on the wall

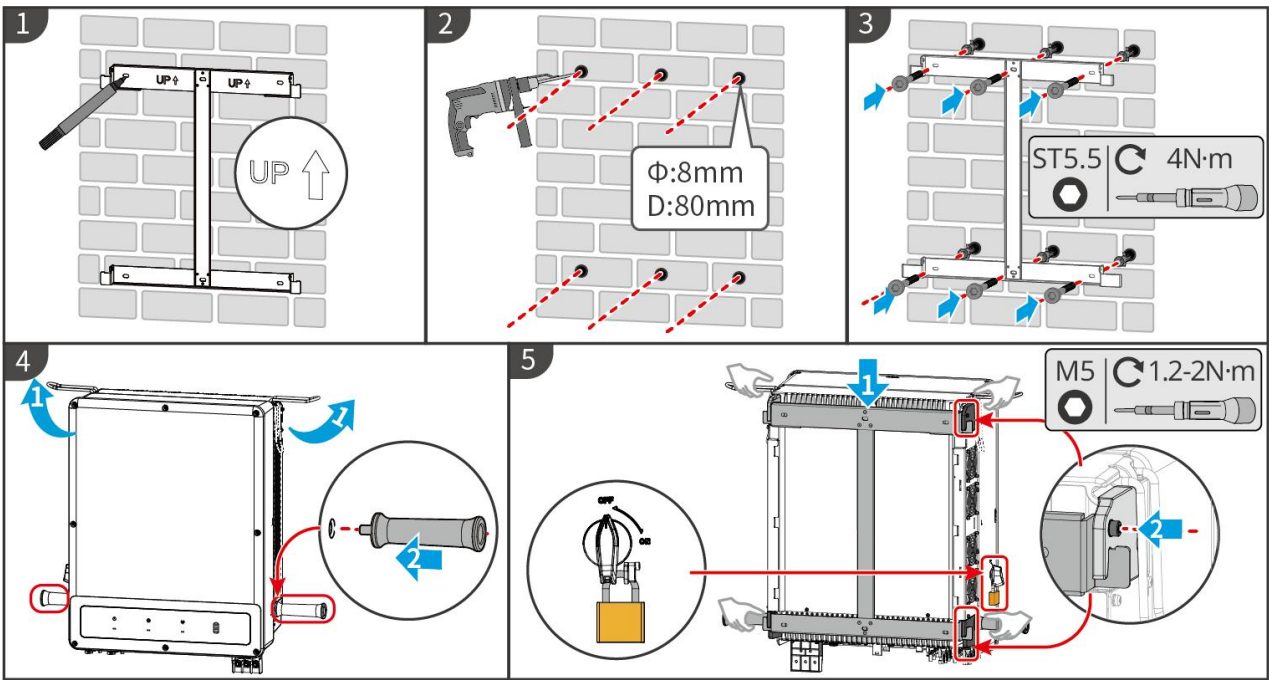
Step 1: Put the plate on the wall horizontally and mark positions for drilling holes.

Step 2: Drill holes with the hammer drill.

Step 3: Use the expansion bolts to fix the inverter on the wall.

Step 4: Open the inverter handle. If additional handles need to be installed, please contact the after-sales service center for assistance.

Step 5: Install the inverter on the mounting plate and fix it. Only one side of the inverter and the back plate shall be fixed to ensure that the inverter is installed firmly. Only for Australia: Secure the DC switch with the DC switch lock, ensuring that the DC switch is "OFF" during installation.



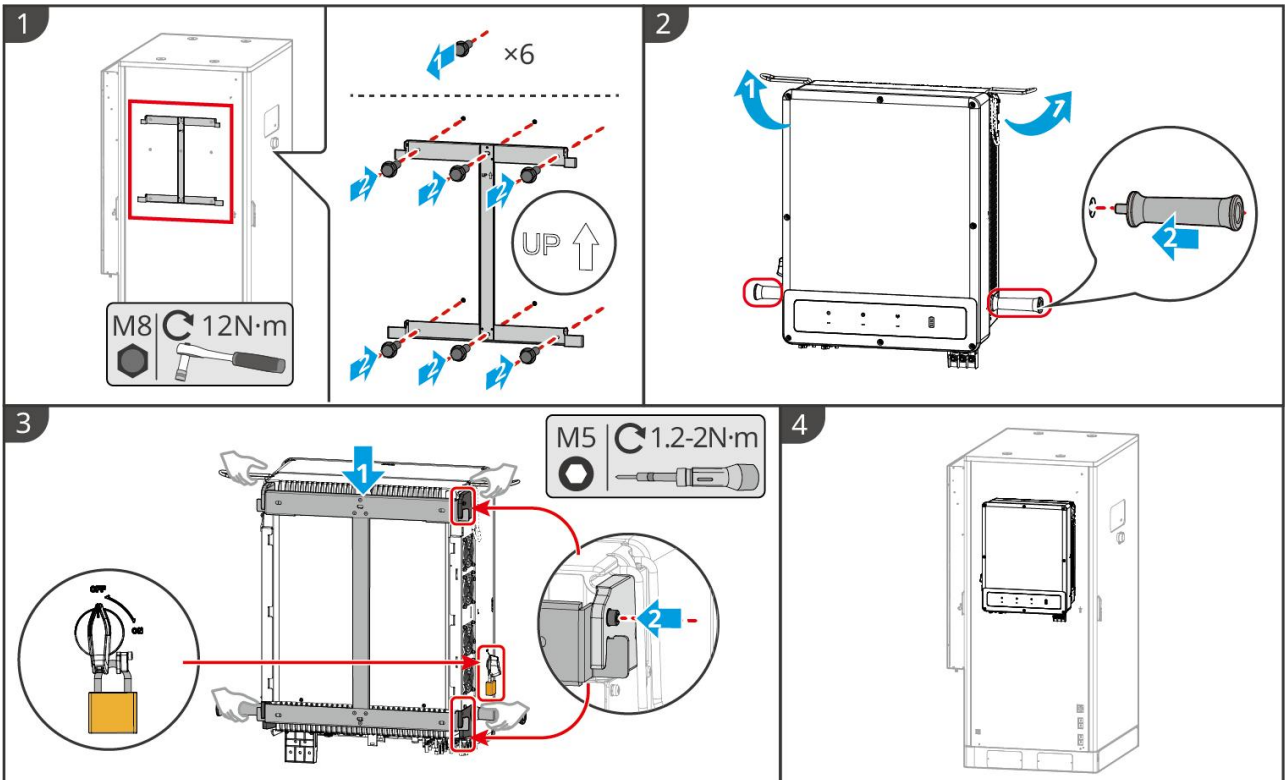
ET5010INT0005

Inverter Installation in the Battery system cabinet

Step 1: Secure the Inverter mounting plate bracket onto the Battery system cabinet.

Step 2: (Optional) Use a DC switch lock to secure the DC switch in the "OFF" position and mount the Inverter onto the backplate. The DC switch lock is to be provided by the user; ensure that the aperture of the DC switch lock meets the requirements.

Step 3: Tighten the screw on both sides to secure the backsheet and Inverter, ensuring the Inverter Installation is stable.



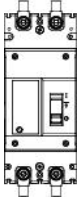
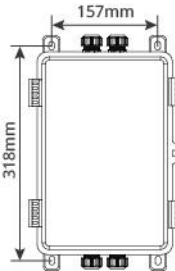

ET5010INT0004

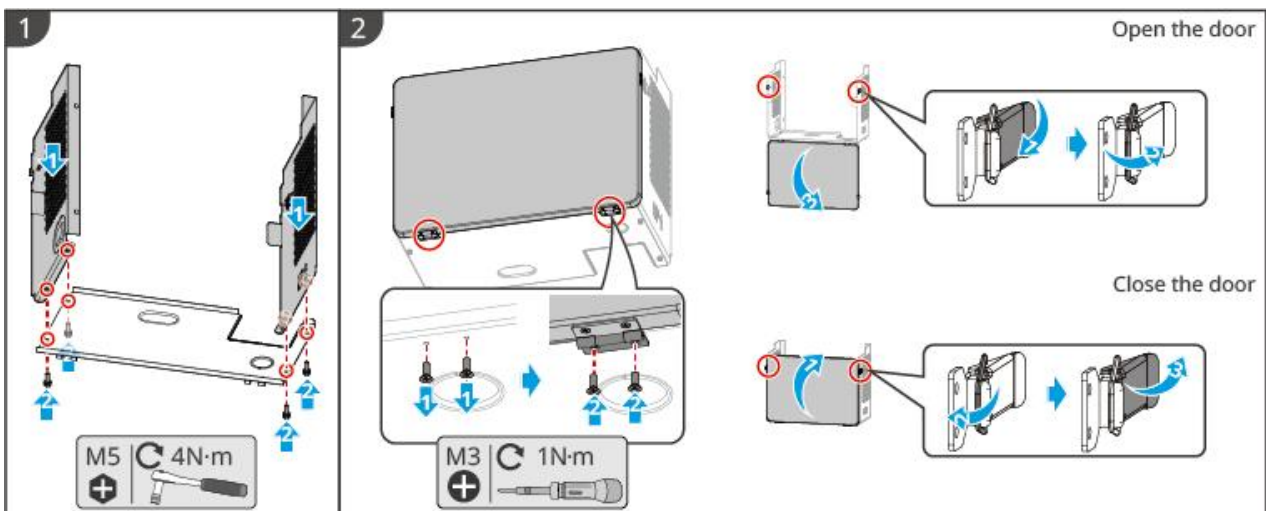
Installing the Protective Cover (Optional)

Step 1: Assemble the protective cover.

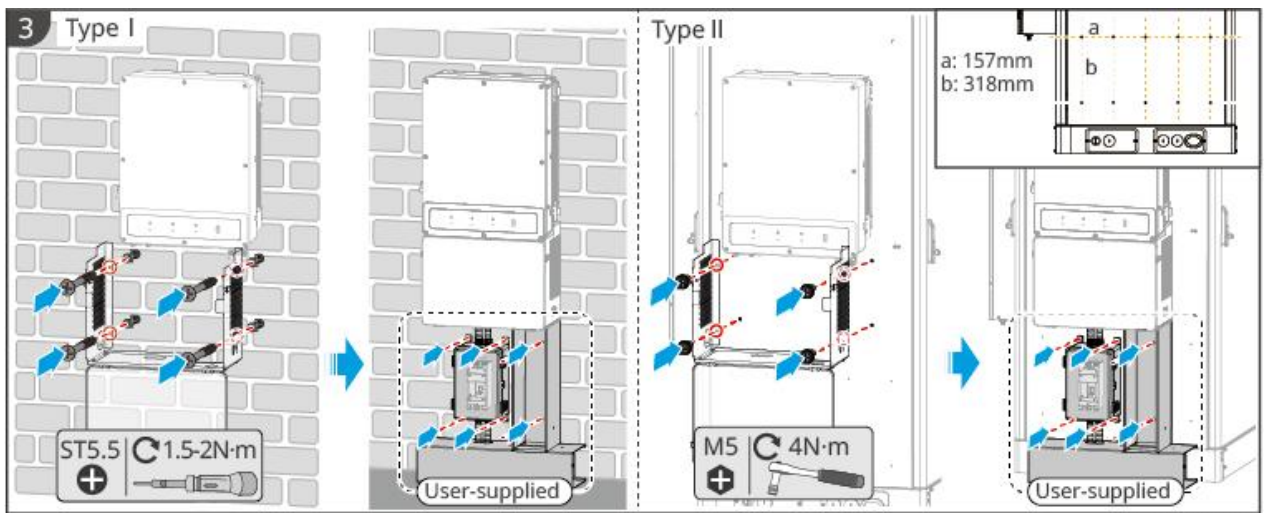
Step 2: Install the front cover plate.

Step 3: Secure the protective cover to the wall/side of the battery cabinet. Install circuit breakers, waterproof enclosures, and cable trays in accordance with local regulations. Refer to the table below for specific requirements.

Equipment		Recommended Model/Specification	Description
Breaker		Model: NDM3NZ-320V/23 Specifications: 1000V/125A	User-Supplied.
Waterproof box		Waterproof Rating: IP65 Hole Spacing Requirements: <ul style="list-style-type: none"> ● Left-Right Hole Spacing: 157mm ● Top-Bottom Hole Spacing: 318mm Styles and dimensions are for reference only.	User-Supplied. If the hole spacing of the waterproof box does not meet the requirements for direct mounting on the battery cabinet, please prepare an installation plate. First, drill holes in the installation plate as required and fix it to the battery cabinet. Then, mount the waterproof box onto the installation plate.
Cable tray		a: 250mm b: 150mm c: 510mm Styles are for reference only.	User-Supplied.



ET5010INT0007



5.5 Installing the STS

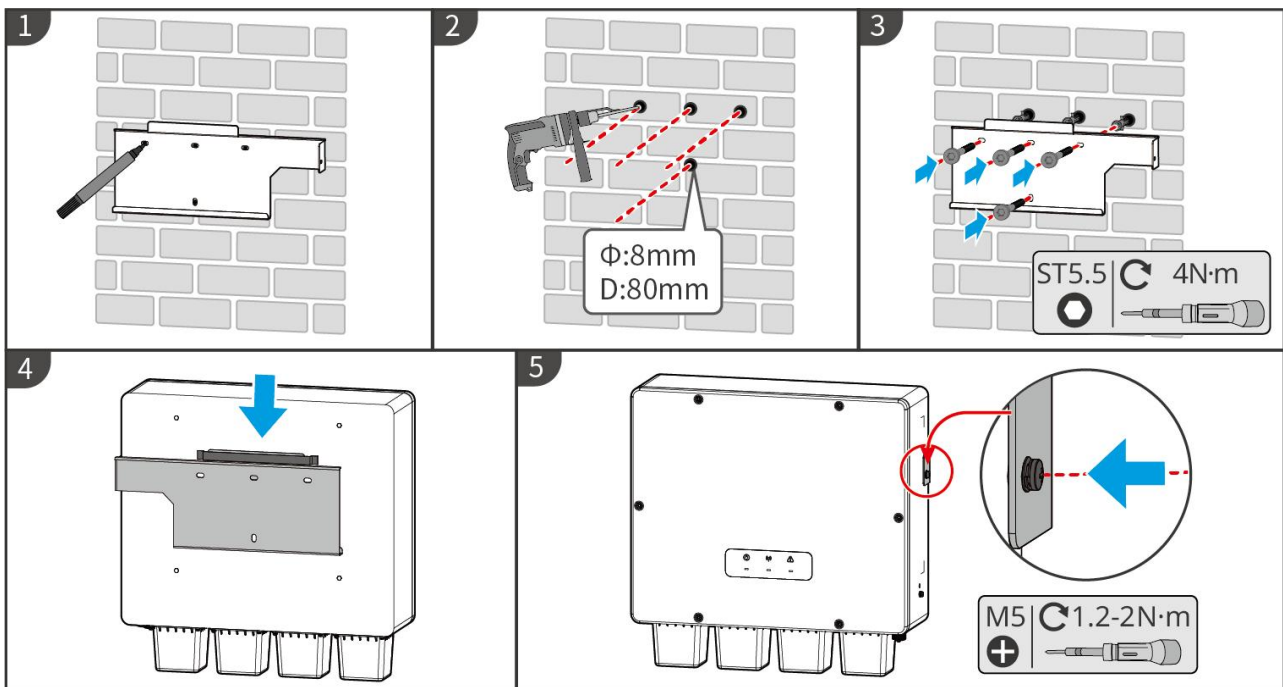
Step 1: Put the plate on the wall horizontally and mark positions for drilling holes.

Step 2: Drill holes with the hammer drill.

Step 3: Use the expansion bolts to fix the mounting plate on the wall.

Step 4: Install the STS on the mounting plate.

Step 5: Tighten the STS with mounting plate to make sure the safe installation of STS.

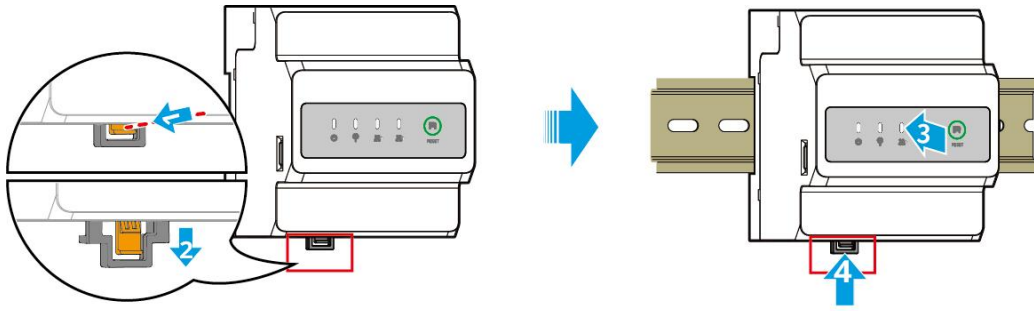


5.6 Installing the Smart Meter



In areas at risk of lightning, if the meter cable exceeds 10m and the cables are not wired with grounded metal conduits, you are recommended to use an external lightning protection device.

GM330



GMK10INT0003

6 System Wirings

DANGER

- Perform electrical connections in compliance with local laws and regulations. Including operations, cables, and component specifications.
- Disconnect the DC switches and the AC output switches to power off the equipment before any electrical connections. Do not work with power on. Otherwise, an electric shock may occur.
- When the energy storage system is powered on, the BACK-UP AC port is energized. Power off the inverter first if maintenance is required on the BACK-UP loads. Otherwise, it may cause electric shock.
- Tie the same type cables together, and place them separately from cables of different types. Do not place the cables entangled or crossed.
- If the cable bears too much tension, the connection may be poor. Reserve a certain length of the cable before connecting it to the Inverter cable port.
- Make sure that the cable conductor is in full contact with the terminal and the cable insulation; part is not crimped with the terminal when crimping the terminal. Otherwise, the device may; not be able to work properly, or the connection may be unreliable during working, which; may cause terminal block damage, etc.

WARNING

- Do not connect loads between the inverter and the AC switch directly connected to the inverter.
- Install one AC output circuit breaker for each inverter. Multiple inverters cannot share one AC circuit breaker.
- An AC circuit breaker shall be installed on the AC side to make sure that the inverter can safely disconnect the grid when an exception happens. Select the appropriate AC circuit breaker in compliance with local laws and regulations.
- The Back-UP function of the inverter needs to be implemented with an STS.

NOTICE

- Wear personal protective equipment like safety shoes, safety gloves, and insulating gloves during electrical connections.
- All electrical connections should be performed by qualified professionals.
- Cable colors in this document are for reference only. The cable specifications shall meet local laws and regulations.

6.1 System Wiring Diagram

NOTICE

- N and PE wiring of ON-GRID and BACK-UP ports are different based on the regulation

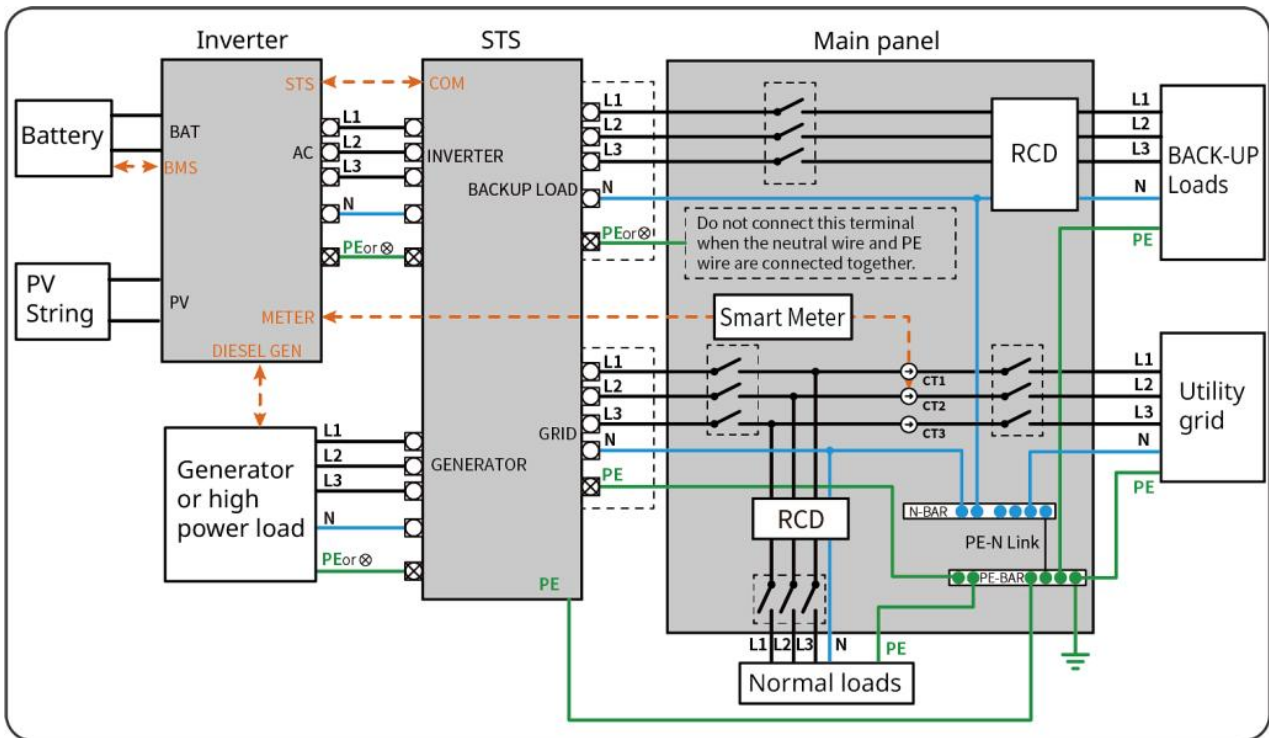
requirements of different regions. Refer to the specific requirements of local regulations.

- The inverter can only use the BACK-UP function when working with STS. The ON-GRID and BACK-UP ports are located on the STS device.
- STS has a built-in relay in the ON-GRID AC port. When the energy storage system is in the off-grid mode, the built-in ON-GRID relay is open; while when the inverter is in grid-tied mode, it is closed.
- When the energy storage system is powered on, the BACK-UP AC port is energized. Power off the inverter first if maintenance is required on the BACK-UP loads. Otherwise, it may cause electric shock.

N and PE cables are connected together in the Main Panel for wiring.

NOTICE

- To maintain neutral integrity, the neutral cable of ON-GRID side and BACK-UP side must be connected together, otherwise BACK-UP function will not work.
- The following diagram is applicable to areas in Australia and New Zealand.



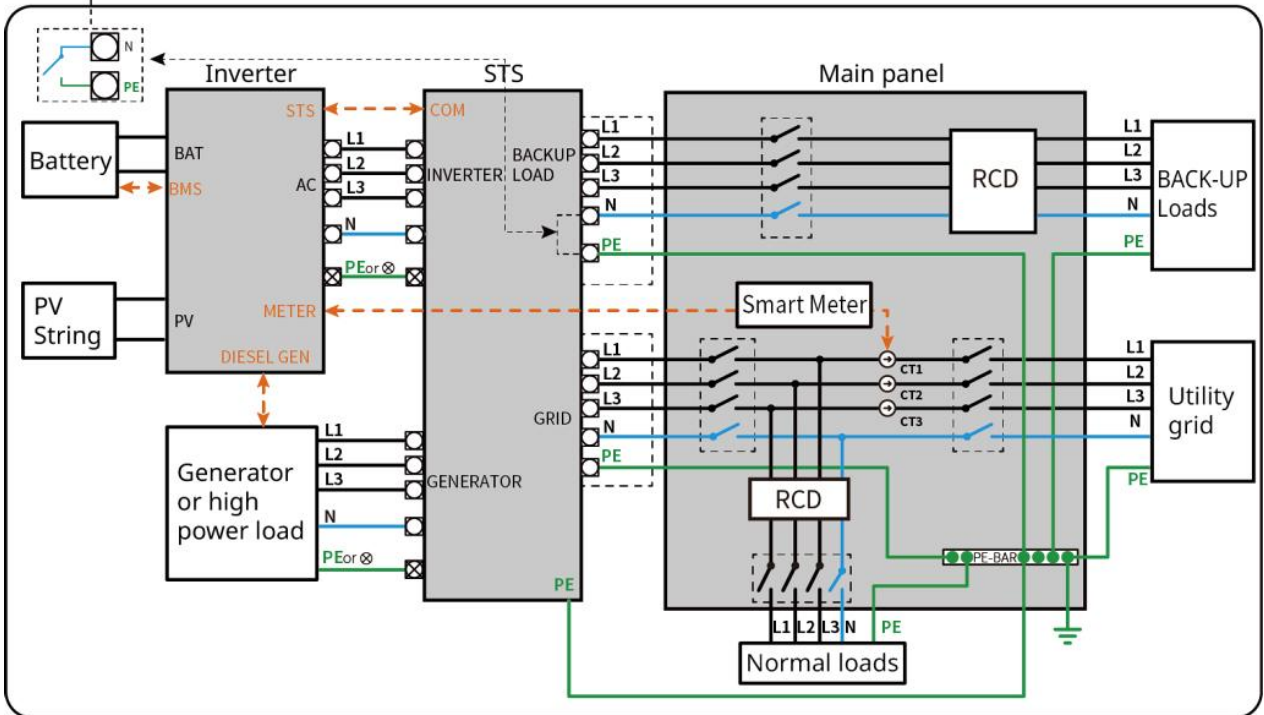
ET5010NET0010

N and PE cables are separately wired in the Main Panel.

NOTICE

If the inverter is switched to off grid mode and there is no need to connect the N and PE cables, this function can be set through the "Advanced Settings" interface of the SolarGo APP's "Backup N and PE Relay Switch". The following diagram is applicable to areas except Australia or New Zealand.

- When the inverter switches to off grid mode, the STS internal relay automatically connects, connecting the PE and N cables.
- When the inverter switches to grid connection mode, the STS internal relay automatically disconnects, disconnecting the PE and N cables.



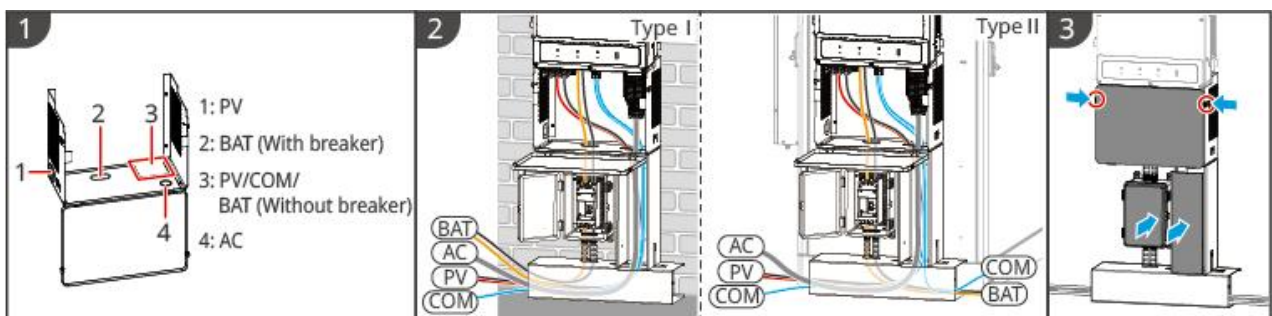
ET5010NET0011

6.2 Detailed System Wiring Diagram

NOTICE

- If the energy storage system needs to use the off-grid function, it must be equipped with a static transfer switch.
- No circuit breaker can be connected between the inverter and the static transfer switch.
- (Optional) When wiring, use protective covers, circuit breakers, and cable trays to ensure no cables are directly exposed. After wiring is complete, close all covers.

Wiring Diagram with Protective Cover (Optional)



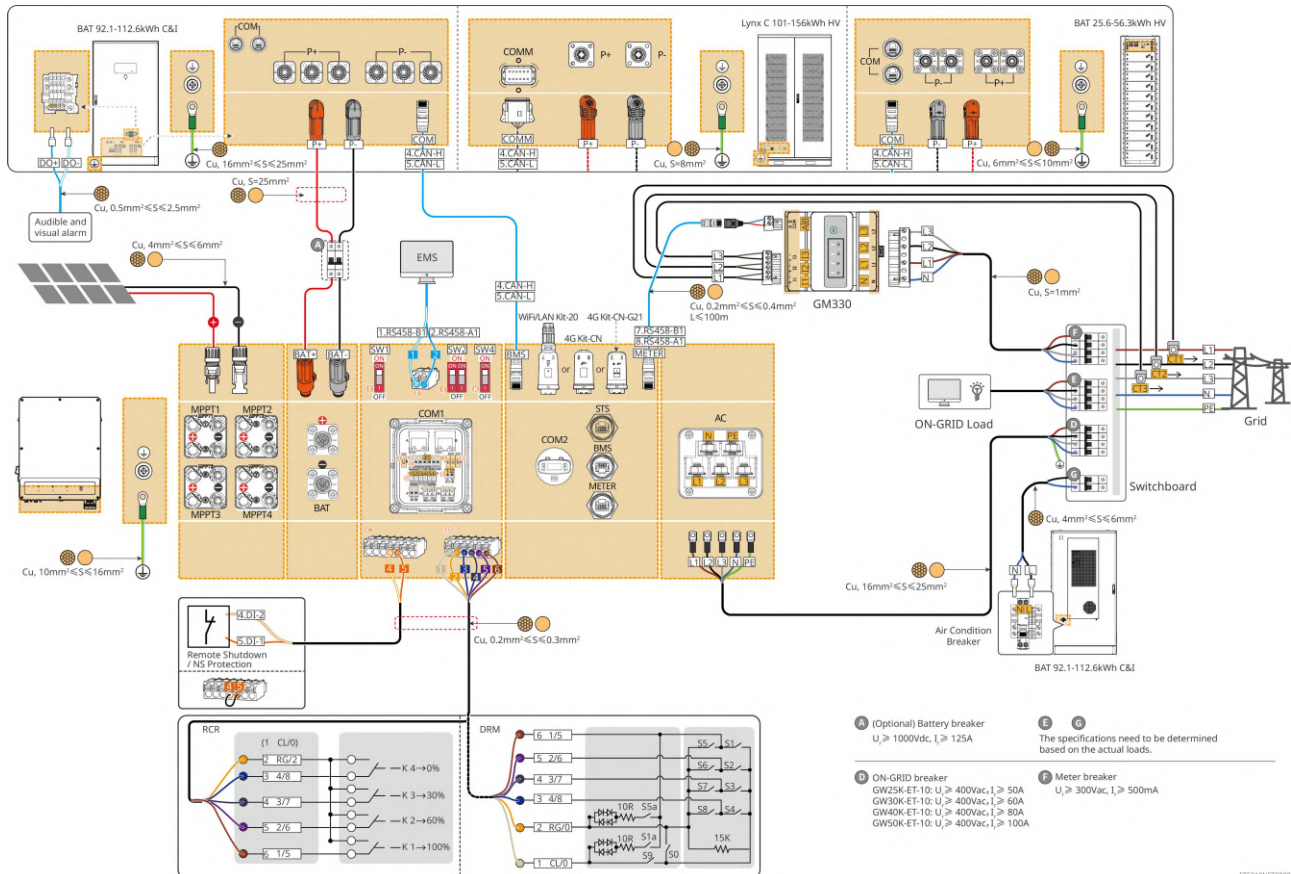
ET5010ELC0021

6.2.1 Single inverter without off-grid function

This system only supports single inverter on-grid operation with no off-grid function.

- In single inverter system, the inverter uses WiFi/LAN Kit-20 smart dongle.
- In single inverter system, GM330 smart meter is standard.
- Dial Switch: S1: ON, SW2: ON, S4: ON.

ET50+Battery+GM330

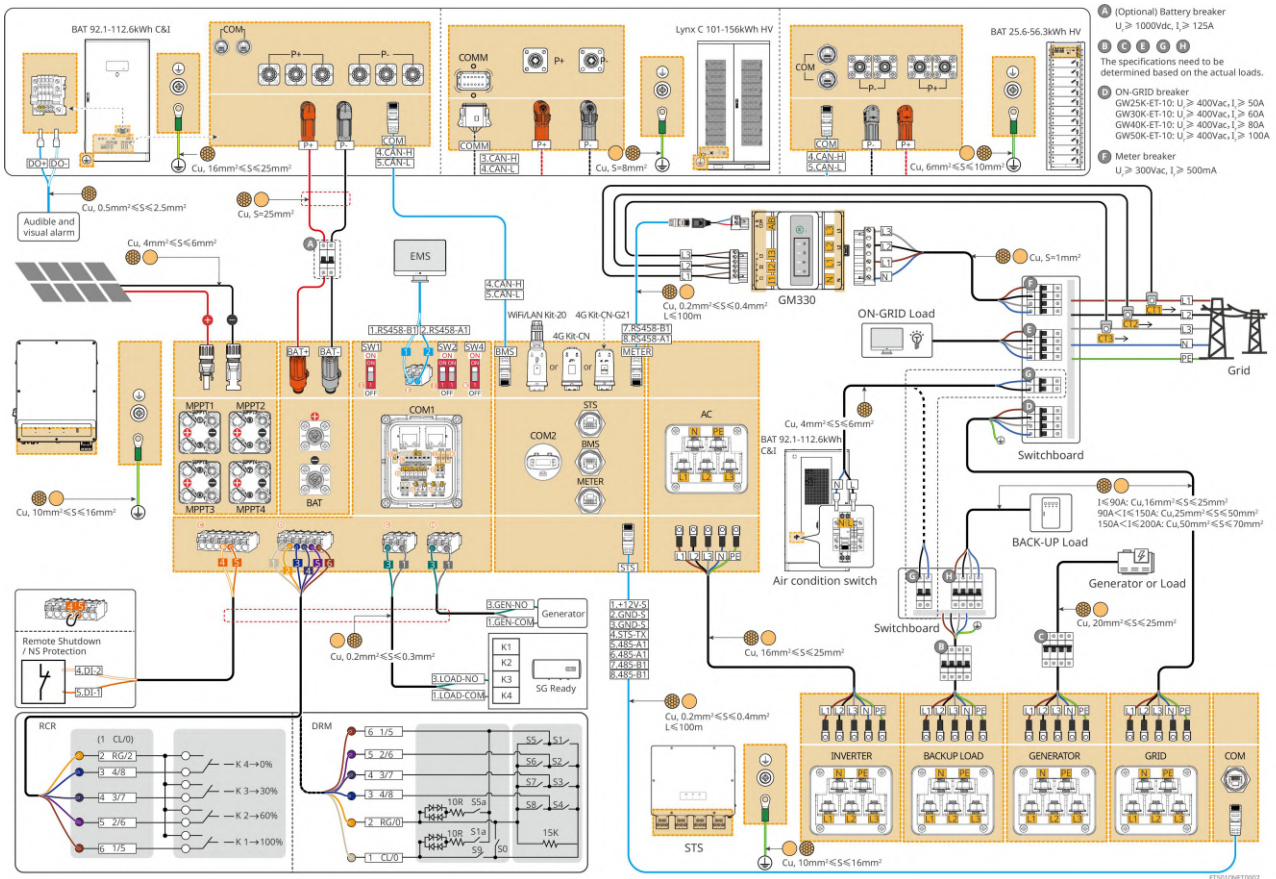


6.2.2 Single inverter with off-grid function

This system is a single-inverter energy storage system that supports both on-grid and off-grid operation.

- The inverter with STS has UPS level on/off-grid switching function, with a switching time of less than 10ms. Please ensure that the total capacity of the BACK-UP load is less than the total nominal power of the inverter. Otherwise, it may result in functional failure during power outages in the grid.
- The inverter can connect a generator with STS. The power of the connected generators should be $\leq 1.1 \times$ the nominal power of the inverter.
- In single inverter system, the inverter uses WiFi/LAN Kit-20 smart dongle.
- In single inverter system, GM330 smart meter is standard.
- Dial Switch: S1: ON, SW2: ON, S4: ON.

ET+STS+Battery+GM330



6.2.3 Multiple inverter without off-grid function

This system is a multiple-inverter energy storage system that supports only on-grid operation without off-grid function.

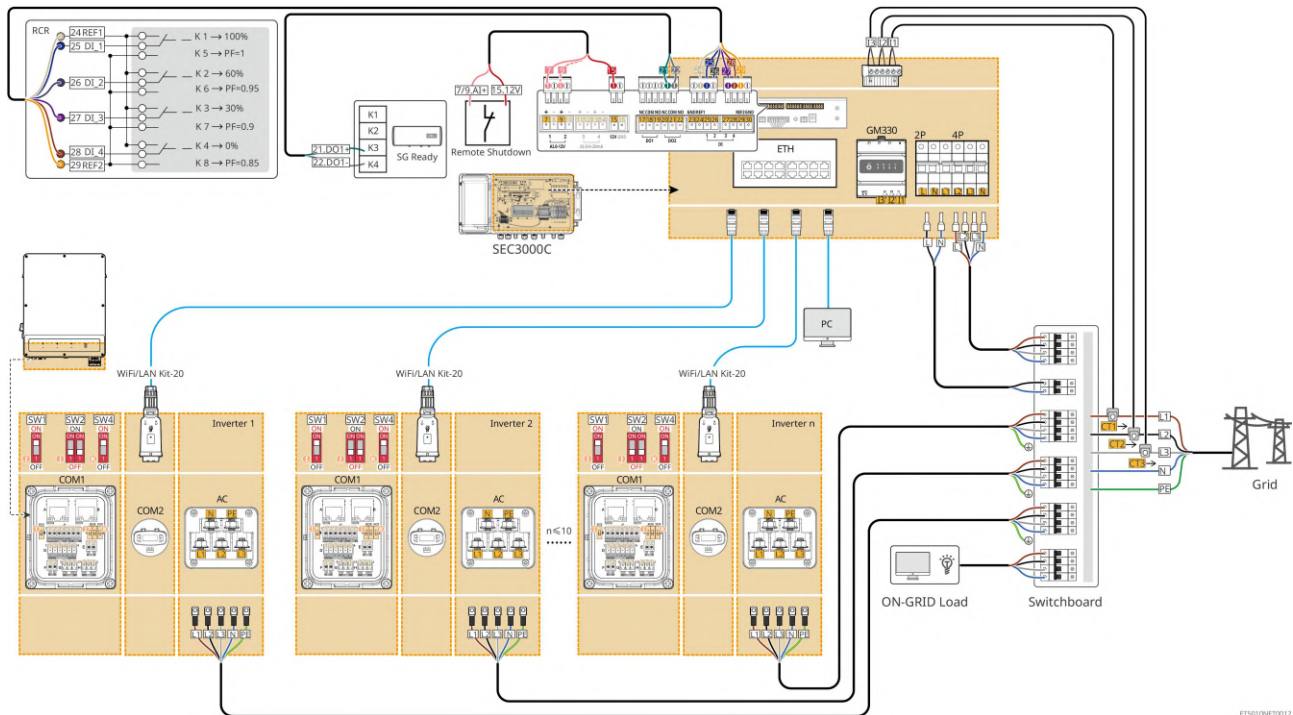
Note

- The inverter supports parallel networking using SEC3000C smart energy controller.
- The following figure focuses on the wiring related to parallel operation. For other port wiring, please refer to the single inverter system.

ET+Battery+SEC3000C+WiFi/LAN Kit-20 (number of inverters in parallel ≤ 10)

- In a parallel system using a SEC3000C, if you need to use the functions such as remote shutdown, DRED, RCR, load control, generator control, etc., please connect the communication cable to the SEC3000C.
- When using SEC3000C to form a parallel system, each inverter must be connected to SEC3000C using WiFi/LAN Kit-20.
- Dial Switch
 - Inverter 1: S1: ON, SW2: OFF, S4: ON.
 - Inverter 2 and n-1: S1: ON, SW2: OFF, S4: ON.

○ Inverter n: S1: ON, SW2: OFF, S4: ON.



ETS10104E70012

6.2.4 Multiple inverters without off-grid parallel function

This system is a multiple-inverter energy storage system that supports only on-grid parallel without off-grid parallel.

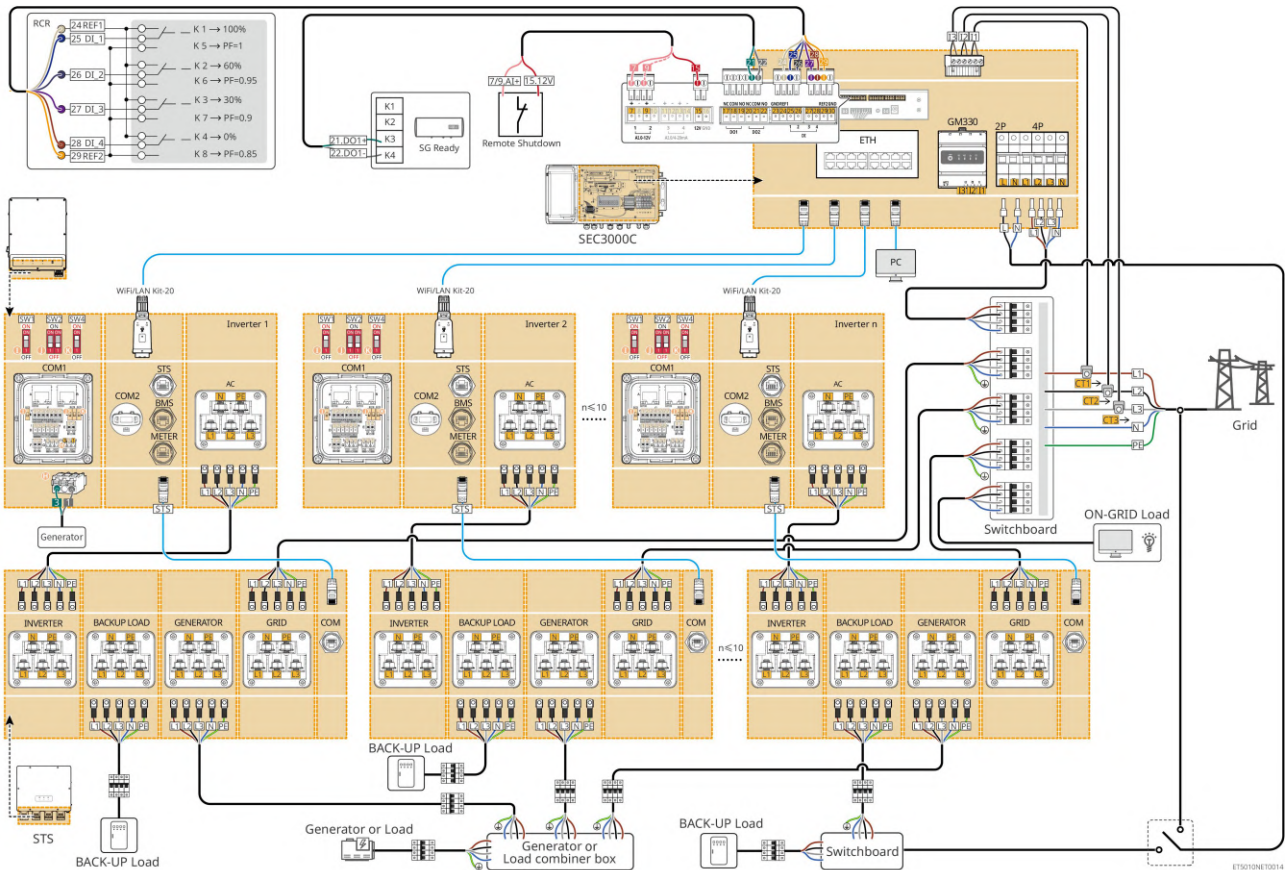
Note

- The inverter supports parallel networking using SEC3000C smart energy controller.
- The inverter parallel system with STS has UPS level on/off-grid switching function. with a switching time of less than 10ms. Please ensure that the capacity of the BACK-UP load connected to each STS is less than the nominal power of the inverter connected to the corresponding STS; Otherwise, it may result in functional failure during power outages in the grid.
- A generator can be connected to STS in the parallel system. The total power of the connected generators should be $\leq 1.1 \times$ the total nominal power of the inverter.
- The following figure focuses on the wiring related to parallel operation. For other port wiring, please refer to the single inverter system.

ET+STS+ Battery+SEC3000C+WiFi/LAN Kit-20 (number of inverters in parallel ≤ 10)

- In a parallel system using a SEC3000C, if you need to use the functions such as remote shutdown, DRED, RCR, load control, generator control, etc., please connect the communication cable to the SEC3000C.
- When using SEC3000C to form a parallel system, each inverter must be connected to SEC3000C using WiFi/LAN Kit-20.

- Dial Switch
 - Inverter 1: S1: ON, SW2: OFF, S4: ON.
 - Inverter 2 and n-1: S1: ON, SW2: OFF, S4: ON.
 - Inverter n: S1: ON, SW2: OFF, S4: ON.



6.2.5 Multiple inverters with off-grid parallel function

This system is a multiple-inverter energy storage system that supports both on-grid and off-grid parallel.

Note

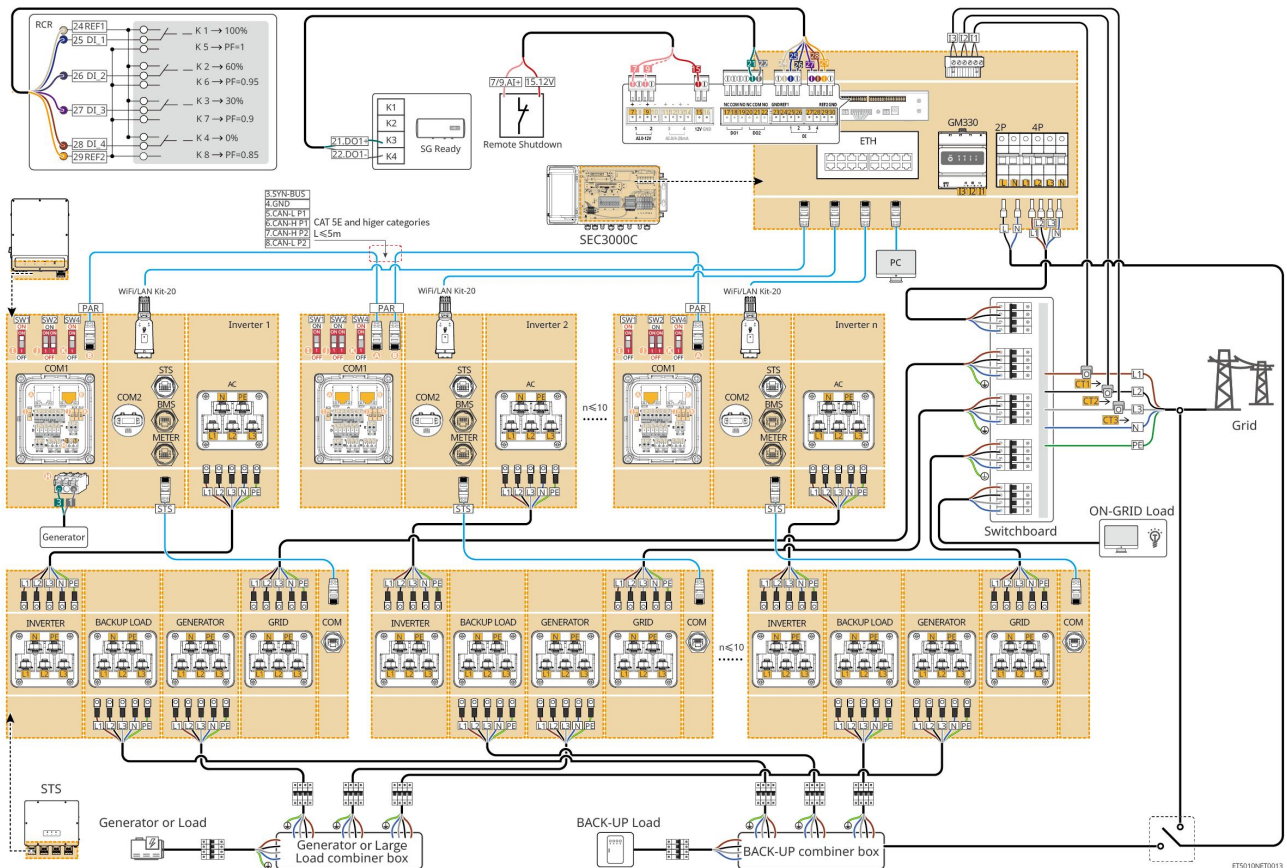
- The inverter supports parallel networking using SEC3000C smart energy controller.
- The inverter parallel system with STS has UPS level on/off-grid switching function. with a switching time of less than 20ms. Please ensure that the total capacity of the BACK-UP load is less than 0.9 x the total nominal power of the inverter; Otherwise, it may result in functional failure during power outages in the grid.
- A generator can be connected to STS in the parallel system. The total power of the connected generators should be ≤ 1.1 x the total nominal power of the inverter.
- The power of generators or large loads connected to the system cannot exceed 100kW. If exceeded, it is recommended to use the generator with an Automatic Transfer Switch (ATS) and switch to the grid, while large loads should be

connected to the grid-side load point.

- The following figure focuses on the wiring related to parallel operation. For other port wiring, please refer to the single inverter system.

ET+STS+ Battery+SEC3000C+WiFi/LAN Kit-20 (number of inverters in parallel ≤ 10)

- In a parallel system using a SEC3000C, if you need to use the functions such as remote shutdown, DRED, RCR, load control, generator control, etc., please connect the communication cable to the SEC3000C.
- When using SEC3000C to form a parallel system, each inverter must be connected to SEC3000C using WiFi/LAN Kit-20.
- Dial Switch
 - Inverter 1: S1: ON, SW2: OFF, S4: ON.
 - Inverter 2 and n-1: S1: OFF, SW2: OFF, S4: ON.
 - Inverter n: S1: ON, SW2: OFF, S4: ON.



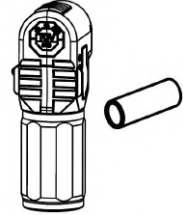
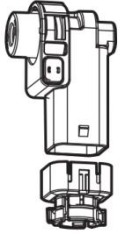
6.3 Preparing Materials

6.3.1 Preparing Breakers

No.	Circuit breaker	Recommended specifications	Source
1	ON-GRID breaker BACK-UP circuit breaker Generator circuit breaker	Nominal voltage $\geq 400V$, nominal current: <ul style="list-style-type: none"> ● GW25K-ET-10: Nominal current $\geq 50A$ ● GW30K-ET-10: Nominal current $\geq 60A$ ● GW40K-ET-10: Nominal current $\geq 80A$ ● GW50K-ET-10: Nominal current $\geq 100A$ 	Prepared by customers.
2	Battery breaker	Optional in compliance with local laws and regulations <ul style="list-style-type: none"> ● 2P DC breaker ● Nominal current $\geq 125A$ ● Nominal Voltage $\geq 1000V$ 	Prepared by customers.
3	RCD	Optional in compliance with local laws and regulations <ul style="list-style-type: none"> ● Type A ● ON-GRID RCD: 500mA ● BACK-UP RCD: 30mA 	Prepared by customers.
4	Smart meter breaker	<ul style="list-style-type: none"> ● Nominal Voltage: 380V/ 400V ● Nominal current: 0.5A 	Prepared by customers.
5	Load breaker	Depend on the actual using load	Prepared by customers.
6	(Optional)Bypass switch	This switch can be used to toggle the power supply mode for the data collector. <ul style="list-style-type: none"> ● Rated voltage $\geq 400V$ ● Rated current $\geq 10A$ 	

6.3.2 Preparing Cables

No.	Cable	Recommended specifications	Source
1	Inverter, STS PE cable	<ul style="list-style-type: none"> ● Single-core outdoor copper cable ● Conductor cross-sectional area: 10mm²-16mm² 	Prepared by customers
2	Battery PE cable Lynx C Series 101-156kWh High Voltage Battery	<ul style="list-style-type: none"> ● Single-core outdoor copper cable ● Conductor cross-sectional area: 8mm² 	Prepared by customers
	Battery PE cable BAT Series 25.6-56.3kWh	<ul style="list-style-type: none"> ● Single-core outdoor copper cable ● Conductor cross-sectional area: 6mm²- 	Prepared by

No.	Cable	Recommended specifications	Source
	High Voltage Battery	10mm ²	customers
	Battery PE cable BAT Series 92.1-112.6kWh C&I Battery System	<ul style="list-style-type: none"> ● Single-core outdoor copper cable ● Conductor cross-sectional area: 16mm²-25mm² 	Prepared by customers
3	PV DC cable	<ul style="list-style-type: none"> ● Commonly used outdoor photovoltaic cable ● Conductor cross-sectional area: 4mm²-6mm² ● Outer diameter: 5.9mm-8.8mm 	Prepared by customers
4	Battery DC cable Lynx C Series 101-156kWh High Voltage Battery Type I 	<ul style="list-style-type: none"> ● Single-core outdoor copper cable ● Conductor cross-sectional area: 25mm² ● Outer diameter: 9.4mm-10.6mm 	Prepared by customers
	Type II 		
	Battery DC cable (For parallel connection) Lynx C Series 101-156kWh High Voltage Battery	<ul style="list-style-type: none"> ● Single-core outdoor copper cable ● Conductor cross-sectional area: 35mm² ● Outer diameter: 10mm-12mm 	Prepared by customers
	Battery DC cable (For parallel connection) BAT Series 25.6-56.3kWh High Voltage Battery	<ul style="list-style-type: none"> ● Single-core outdoor copper cable ● Conductor cross-sectional area: 25mm² ● Outer diameter: 9mm-11mm 	Prepared by customers
	Battery DC cable (For parallel connection) BAT Series 92.1-112.6kWh C&I Battery System	<ul style="list-style-type: none"> ● Single-core outdoor copper cable ● Conductor cross-sectional area: 50mm² ● Outer diameter: 13mm-14mm 	Prepared by customers

No.	Cable	Recommended specifications	Source
5	Inverter AC cable Generator AC cable	<ul style="list-style-type: none"> ● Single-core outdoor copper cable ● Conductor cross-sectional area: 16mm²-25mm² ● Outer diameter: 18-42mm 	Prepared by customers
6	BACK-UP AC cable ON-GRID AC cable	<ul style="list-style-type: none"> ● Multi core outdoor copper core cable, recommended to use YJV or RVV five core cable* ● When the output current of the BACKUP LOAD port or the input/output current of the GRID port is less than 90A: <ul style="list-style-type: none"> ○ Conductor cross-sectional area: 20mm²- 25mm² ○ Outer diameter: 18-42mm ● When the output current of the BACKUP LOAD port or the input/output current of the GRID port is greater than 90A and less than or equal to 150A: <ul style="list-style-type: none"> ○ Conductor cross-sectional area: 25mm²- 50mm² ○ Outer diameter: 18-42mm ● When the output current of the BACKUP LOAD port or the input/output current of the GRID port is greater than 150A and less than or equal to 200A: <ul style="list-style-type: none"> ○ Conductor cross-sectional area: 50mm²- 70mm² ○ Outer diameter: 32-42mm 	Prepared by customers
7	Smart meter power cable	<ul style="list-style-type: none"> ● Outdoor copper cable ● Conductor cross-sectional area: 1mm² 	Prepared by customers
8	BMS communication cable	-	Shipped with device
9	Smart meter RS485 communication cable	-	RJ45-2PIN adapter and standard net cable: included in the package of the inverter
10	Communication cable for battery parallel connection Lynx C Series	Customized communication cable	Contact GOODWE to purchase

No.	Cable	Recommended specifications	Source
	101-156kWh High Voltage Battery		
	Communication cable for battery parallel connection BAT Series 25.6-56.3kWh High Voltage Battery	EIA/TIA 568B standard network cable with RJ45 connectors, CAT 5E or higher	Prepared by customers
	Communication cable for battery parallel connection BAT Series 92.1-112.6kWh C&I Battery System	EIA/TIA 568B standard network cable with RJ45 connectors, CAT 5E or higher	Prepared by customers
11	DO communication cable for load control	<ul style="list-style-type: none"> ● Shielded cable that meet local requirements ● Conductor cross-sectional area: 0.2mm²-0.4mm² ● Outer diameter: 5mm-8mm 	Prepared by customers
12	Communication cable for generator control		
13	Remote shutdown communication cable		
14	RSD communication cable		
15	RCR/DRED communication cable		
16	(Reserved) DO Dry contact		
17	Communication cable for parallel connected inverters	<ul style="list-style-type: none"> ● CAT 5E or higher categories standard net cable with RJ45 connector, and the length should be less than 5m ● CAT 7E or higher categories standard net cable with RJ45 connector, and the length should be less than 10m 	Prepared by customers
18	EMS RS485 communication cable	<ul style="list-style-type: none"> ● Shielded twisted pair cable that meet local requirements ● Conductor cross-sectional area: 0.2mm²-0.4mm² ● Outer diameter: 5mm-8mm 	Prepared by customers
19	(Reserved) EV charger RS485 communication cable		
20	Inverter to STS communication cable	-	Shipped with device
21	Cable for meter CT	<ul style="list-style-type: none"> ● Single-core outdoor copper cable ● Conductor cross-sectional area: 1.3mm²-2.3mm² 	Prepared by customers

No.	Cable	Recommended specifications	Source
		<ul style="list-style-type: none"> Outer diameter: 1.3mm-1.7mm 	
22	Single phase AC cable	<ul style="list-style-type: none"> Single-core outdoor copper cable Conductor cross-sectional area: 2.5mm²-6.0mm² Outer diameter: 1.8mm-2.8mm 	Prepared by customers
23	SEC3000C three phase AC cable		
24	External device RS485 communication cable	<ul style="list-style-type: none"> Shielded twisted pair cable that meet local requirements Conductor cross-sectional area: 0.07mm²-1.3mm² Outer diameter: 0.3-1.3mm 	Prepared by customers.
25	External device net cable	<ul style="list-style-type: none"> Standard shielded net cable: CAT 5E or higher categories standard net cable with RJ45 connector The cable length shall not exceed 100m. 	Prepared by customers.

* If single-core cable is required for BACK-UP AC cable and ON-GRID AC cable, please use fire-proof mud at the joint of the AC cable protection cover to ensure the protection level.

* If the diameter of BACK-UP AC cable and ON-GRID AC cable is more than 38mm or the cable is inconvenient to install, the L line shall be stripped to more than 240mm, and the N and PE lines shall be stripped to more than 270mm, and the AC cable protective cover joint shall be blocked with fireproof mud.

6.3.3 Preparing Combiner Box

NOTICE	
<ul style="list-style-type: none"> In parallel system, a combiner box is required to connect the generator to the generator port of STS. In parallel system, the BACK-UP port of STS needs to be connected to the BACK-UP load using a combiner box when the inverters work in on-grid mode or off-grid mode. When Lynx C Series 101-156kWh High Voltage Batteries are connected in parallel, the customer should prepare busbar and wiring terminals. 	

No.	Combiner box	Recommended specifications	Source
1	Generator combiner box	$I \geq 90A * N$; N is the number of inverter in parallel	Prepared by customers.
2	BACK-UP loads combiner box	$I \geq 200A * N$; N is the number of inverter in parallel	Prepared by customers.
3	Busbar for battery parallel connection and wiring	1. Voltage resistance requirement: 3800Va.c./5320Vd.c., 60S, no breakdown or flashover, leakage current $\leq 2mA$.	Prepared by customers.

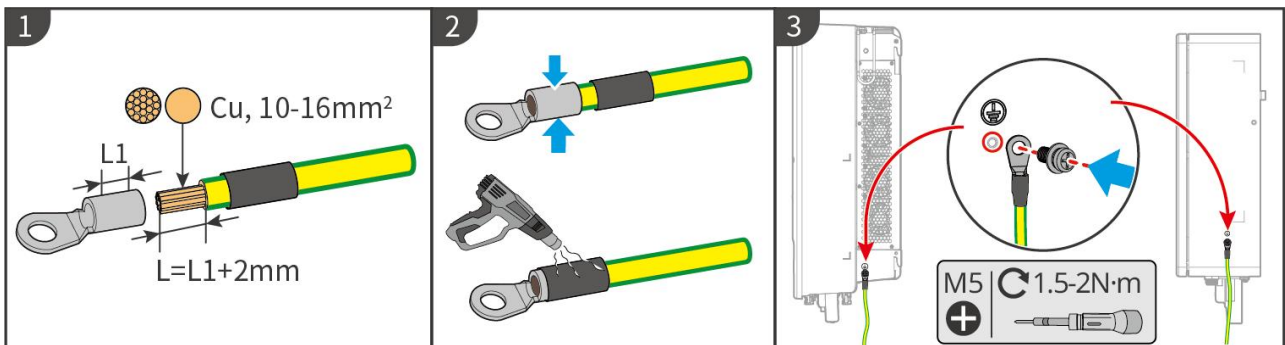
terminals	<ol style="list-style-type: none"> 2. Maximum carrying current: $\geq 100\text{A}$. 3. Insulation resistance: 2500Vd.c., 60S, insulation resistance $\geq 500\text{M}\Omega$. 4. Material requirements for bus bar and wiring terminal: copper. 5. All materials are RoHS compliant. 6. The material and coating of busbar and terminal shall be consistent (red copper T2 tin plating is recommended). 	
-----------	--	--

6.4 Connecting the PE Cable

WARNING

- Connect the PE cable first before installing the equipment. Disconnect the PE cable before dismantling the equipment.
- The PE cable connected to the enclosure of the inverter cannot replace the PE cable connected to the AC output port. Make sure that both of the two PE cables are securely connected.
- Make sure that all the grounding points on the enclosures are equipotentially connected when there are multiple inverters.
- To improve the corrosion resistance of the terminal, you are recommended to apply silica gel or paint on the ground terminal after installing the PE cable.

Inverter/STS

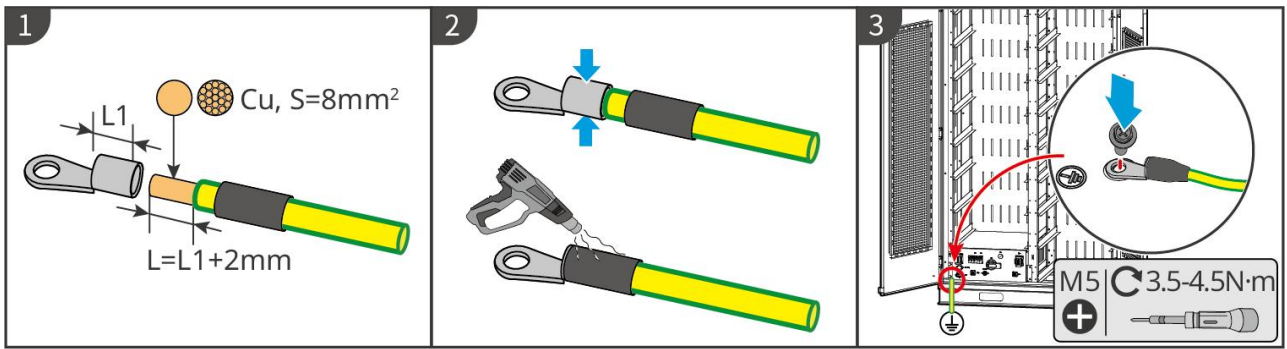


ET5010ELC0001

Lynx C Series 101-156kWh High Voltage Battery

NOTICE

The PE cable should be prepared by customers. The cross-sectional area of the PE cable conductor: 8mm^2 .



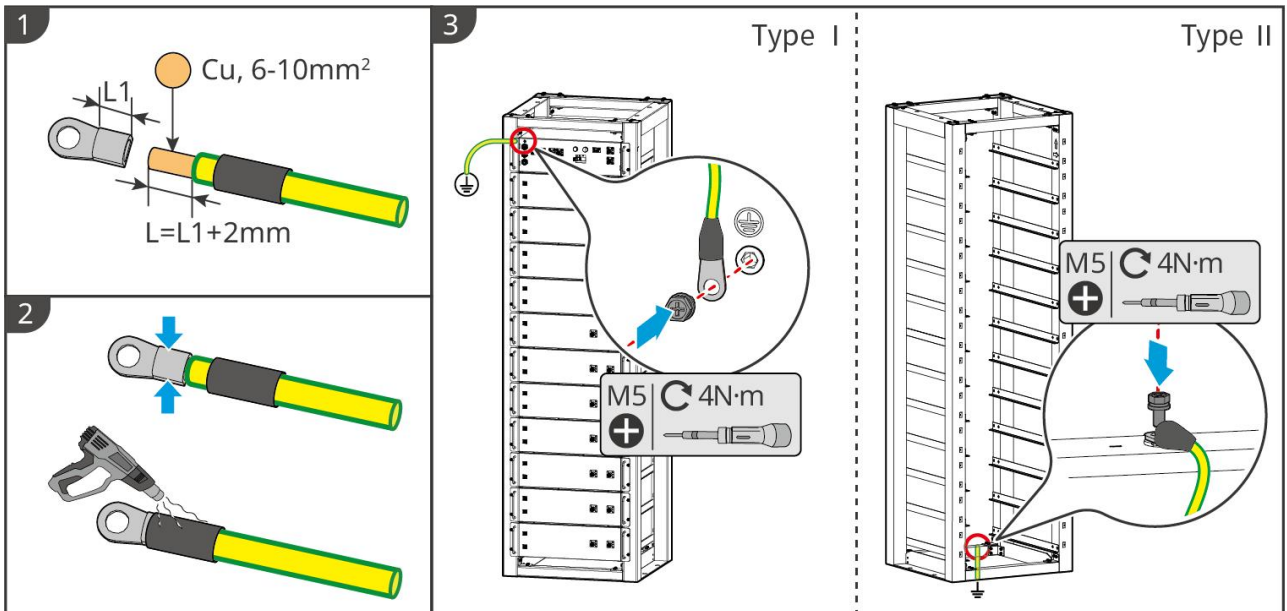
LXC10110ELC0001

BAT Series 25.6-56.3kWh High Voltage Battery



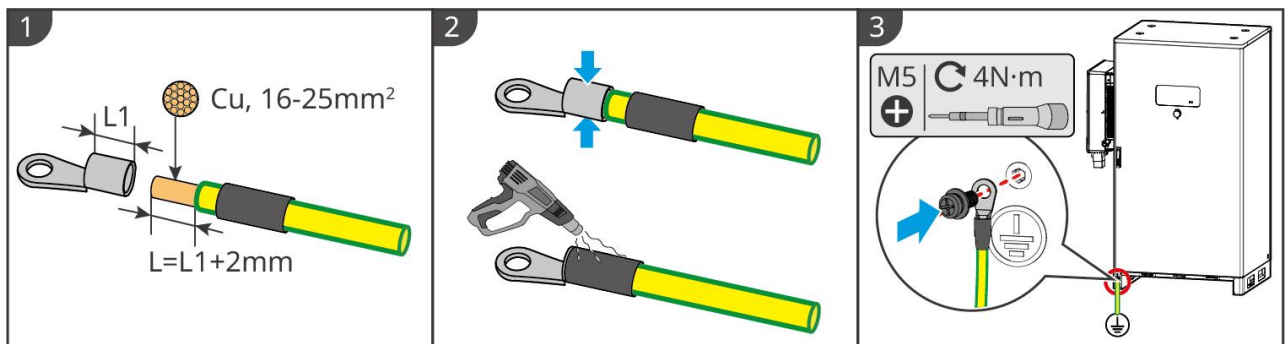
WARNING

- One of the grounding points on both sides of the energy storage system can be selected for grounding according to the actual site.
- The PE cable should be prepared by the customer.



BAT10ELC0001

BAT Series 92.1-112.6kWh C&I Battery System



BAT10ELC0007

6.5 Connecting the PV Cable



DANGER

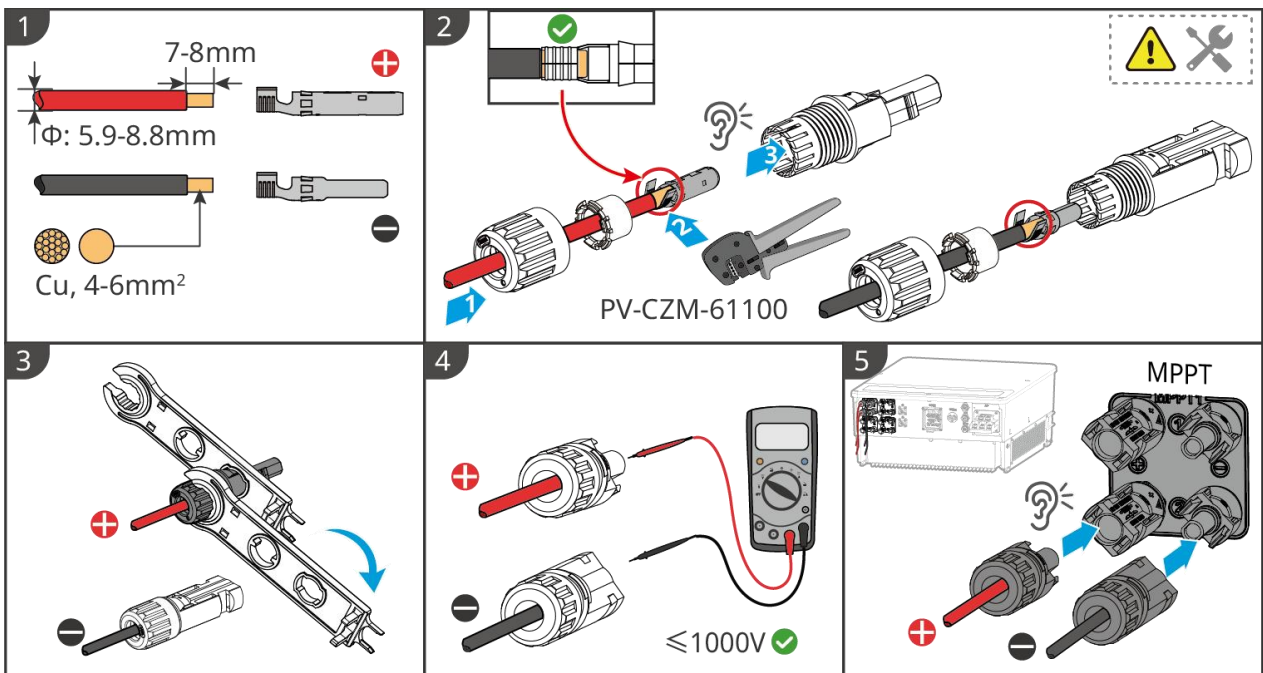
- Do not connect one PV string to more than one inverter at the same time. Otherwise, it may cause damage to the inverter.
- High voltage exists when the PV string is exposed to the sunlight, pay attention during electrical connections.
- Confirm the following information before connecting the PV string to the inverter. Otherwise, the inverter may be damaged permanently or even cause fire and cause personal and property losses.
 1. Make sure that the max short circuit current and the max input voltage per MPPT are within the permissible range.
 2. Make sure that the positive pole of the PV string connects to the PV+ of the inverter. And the negative pole of the PV string connects to the PV- of the inverter.

! WARNING

- The PV strings cannot be grounded. Ensure the minimum insulation resistance of the PV string to the ground meets the minimum insulation resistance requirements before connecting the PV string to the inverter ($R = \text{maximum input voltage} / 30\text{mA}$).
- Ensure the DC cables are connected tightly, securely and correctly.
- Measure the DC cable using the multimeter to avoid reverse polarity connection. Also, the voltage should be within the permissible range.
- The MPPT string parallel connection must meet the requirements of local laws and regulations.

NOTICE

The two input strings per MPPT should be of the same type, the same number of modules, the same tilt and angle to ensure the best efficiency.



ET5010ELC0002

6.6 Connecting the Battery Cable

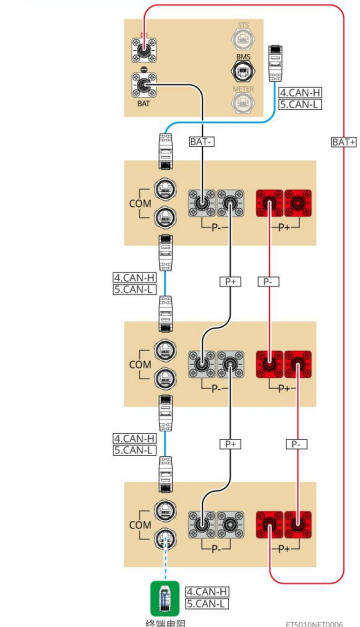
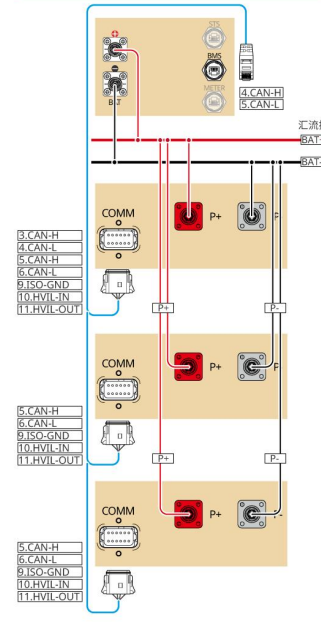
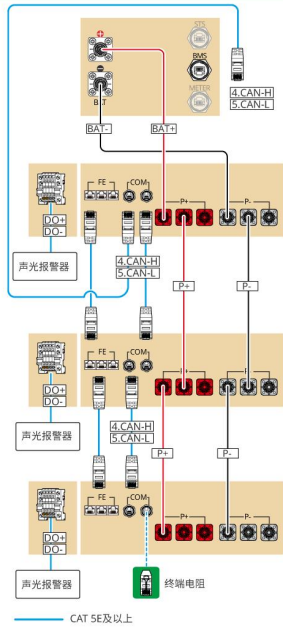
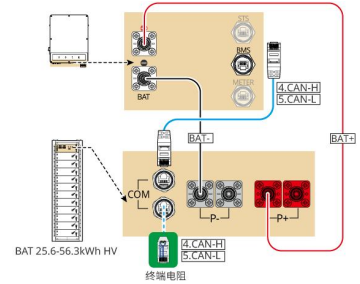
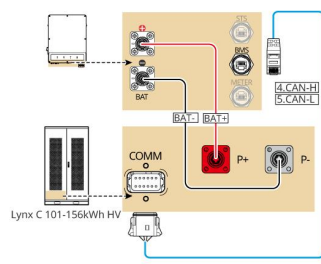
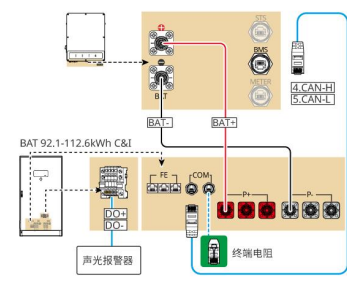


- Do not connect one battery pack to more than one inverter at the same time. Otherwise, it may cause damage to the inverter.
- It is forbidden to connect loads between the inverter and batteries.
- When connecting battery cables, use insulated tools to prevent accidental electric shock or short circuit to the batteries.
- Ensure that the open circuit voltage of the battery is within the permissible range of the inverter.
- Install a DC breaker between the inverter and the battery in compliance with local laws and regulations.



- Measure the DC cables using a multimeter to avoid reverse polarity connection. Also, the voltage should be under the permissible range.
- Connect the battery cables to the corresponding terminals such BAT+, BAT- and grounding ports correctly. Otherwise it will cause damage to the inverter.
- Ensure that the whole cable cores are inserted into the terminal holes. No part of the cable core can be exposed.
- Ensure that the cables are connected securely. Otherwise it will cause damage to the inverter due to overheat during its operation.
- Do not connect one battery pack to more than one inverter at the same time. Otherwise, it may cause damage to the inverter.

Battery system wiring diagram



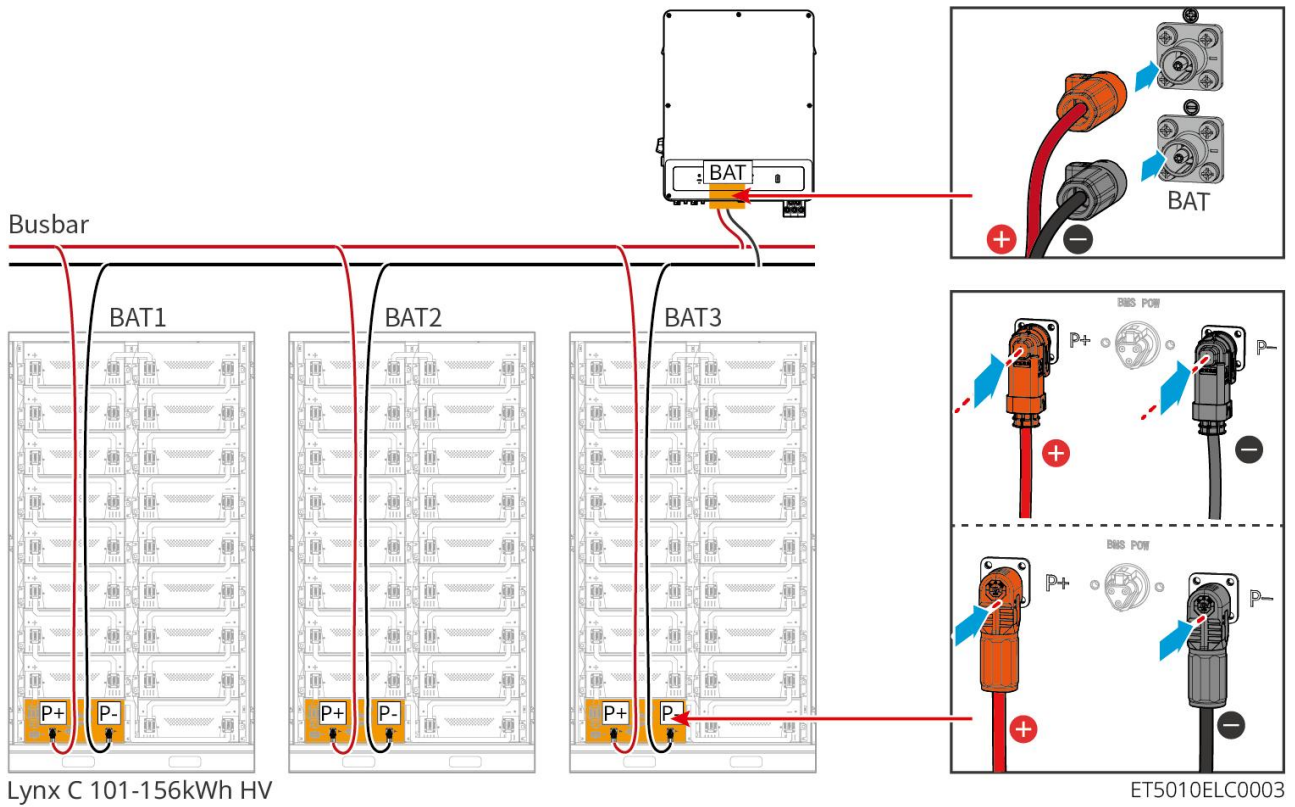
6.6.1 Lynx C Series 101-156kWh High Voltage Battery

6.6.1.1 Connecting the Power Cable between Inverter and Battery

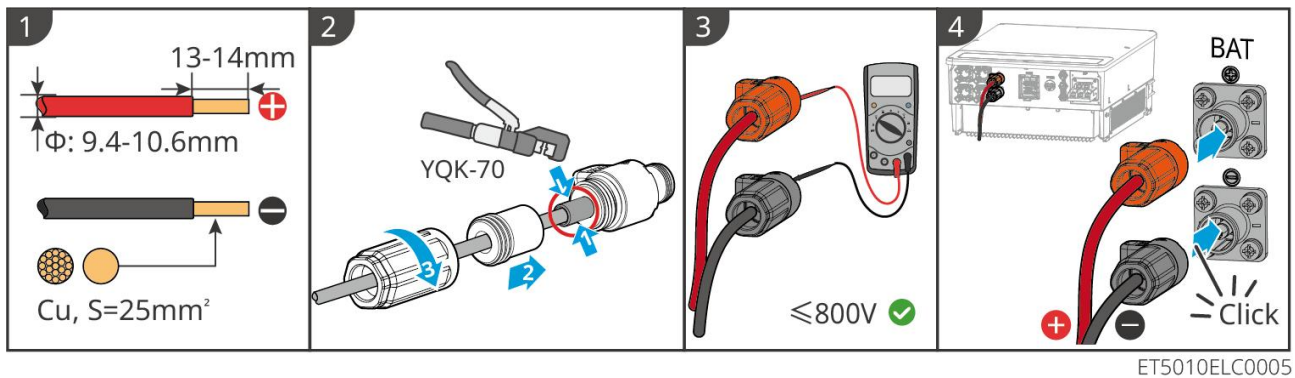
NOTICE

Lynx C Series 101-156kWh High Voltage Battery supports up to 3 battery cabinets in parallel clusters.

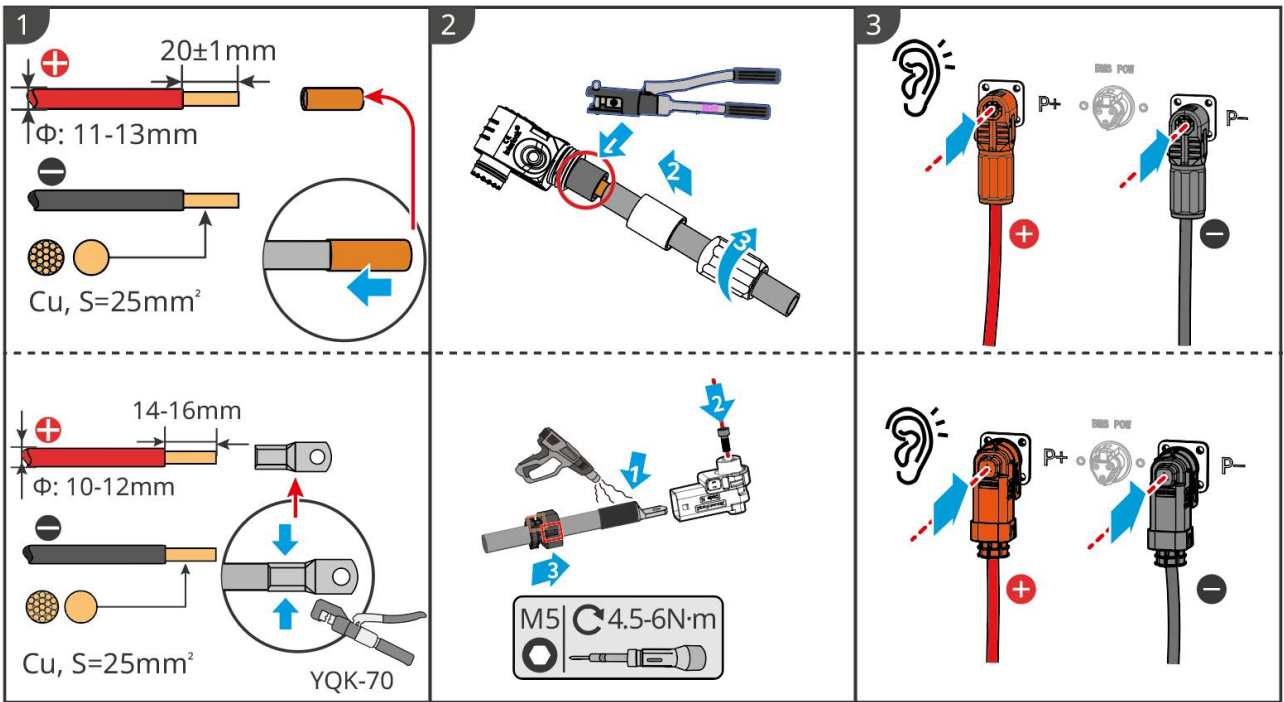
Overview of inverter and battery power cable



Make the inverter power cable

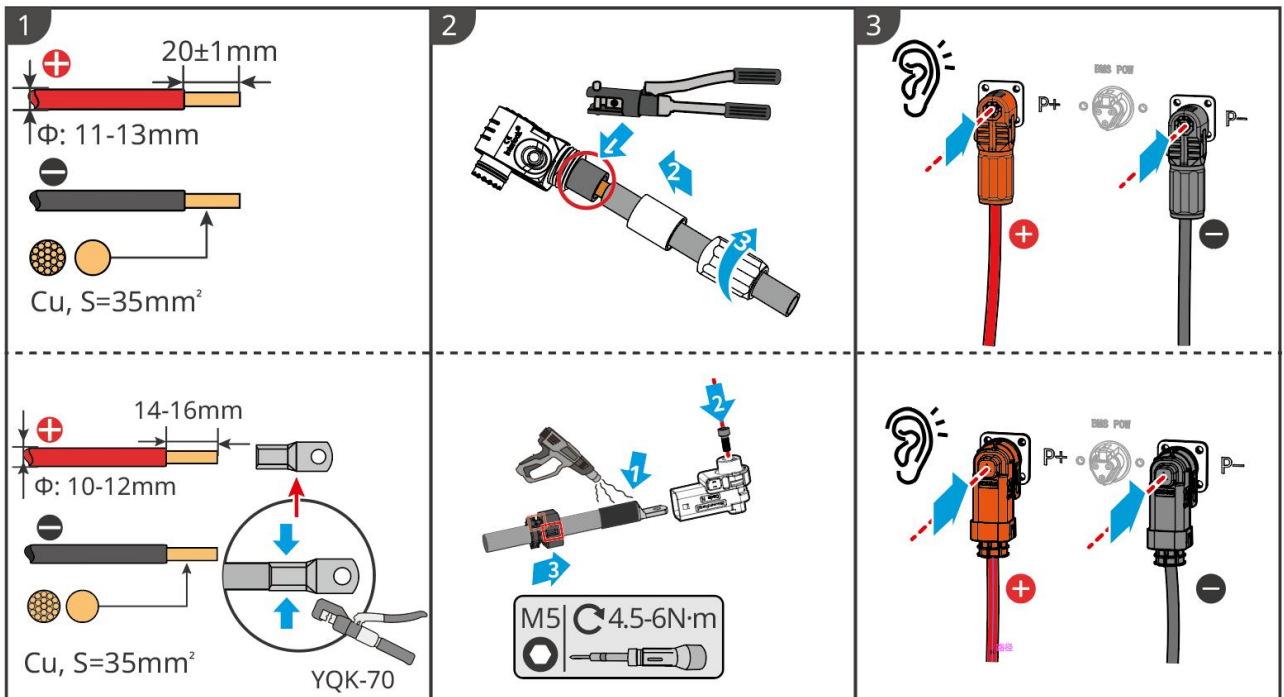


Method for making cables at single battery system end



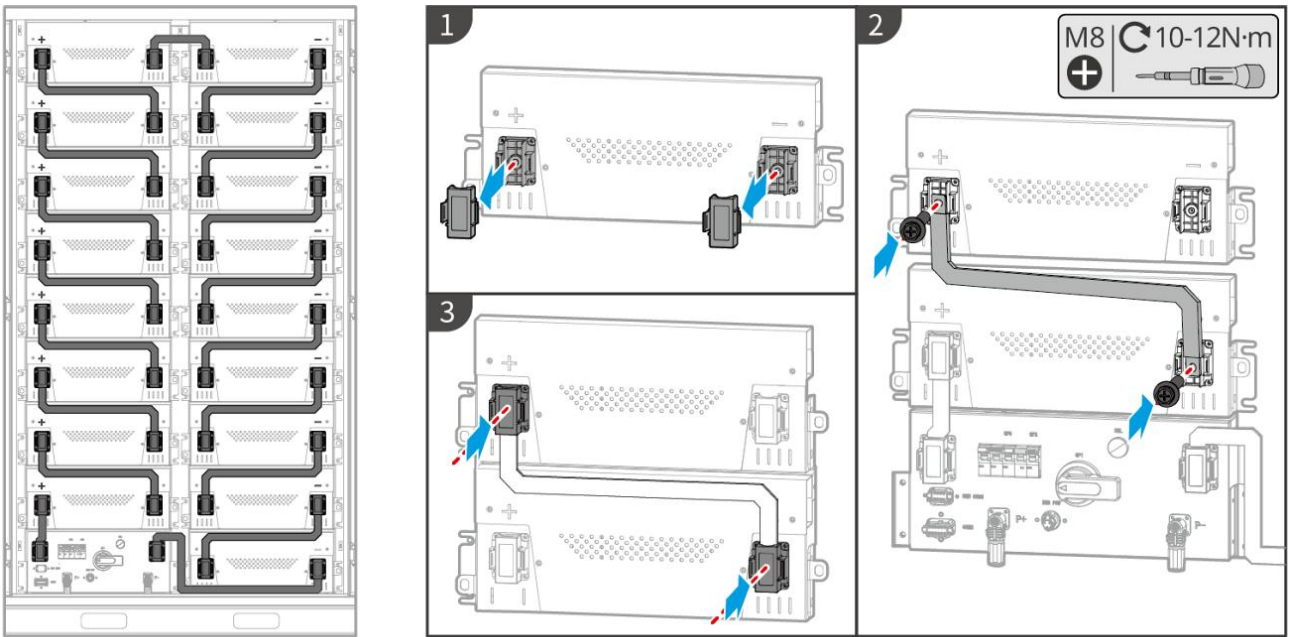
LXC10110ELC0002

Method for making cables at battery system end for parallel connection



LXC10110ELC0006

6.6.1.2 Connecting the copper bars in the battery system



LXC10110ELC0003

6.6.1.3 Connecting the communication cable

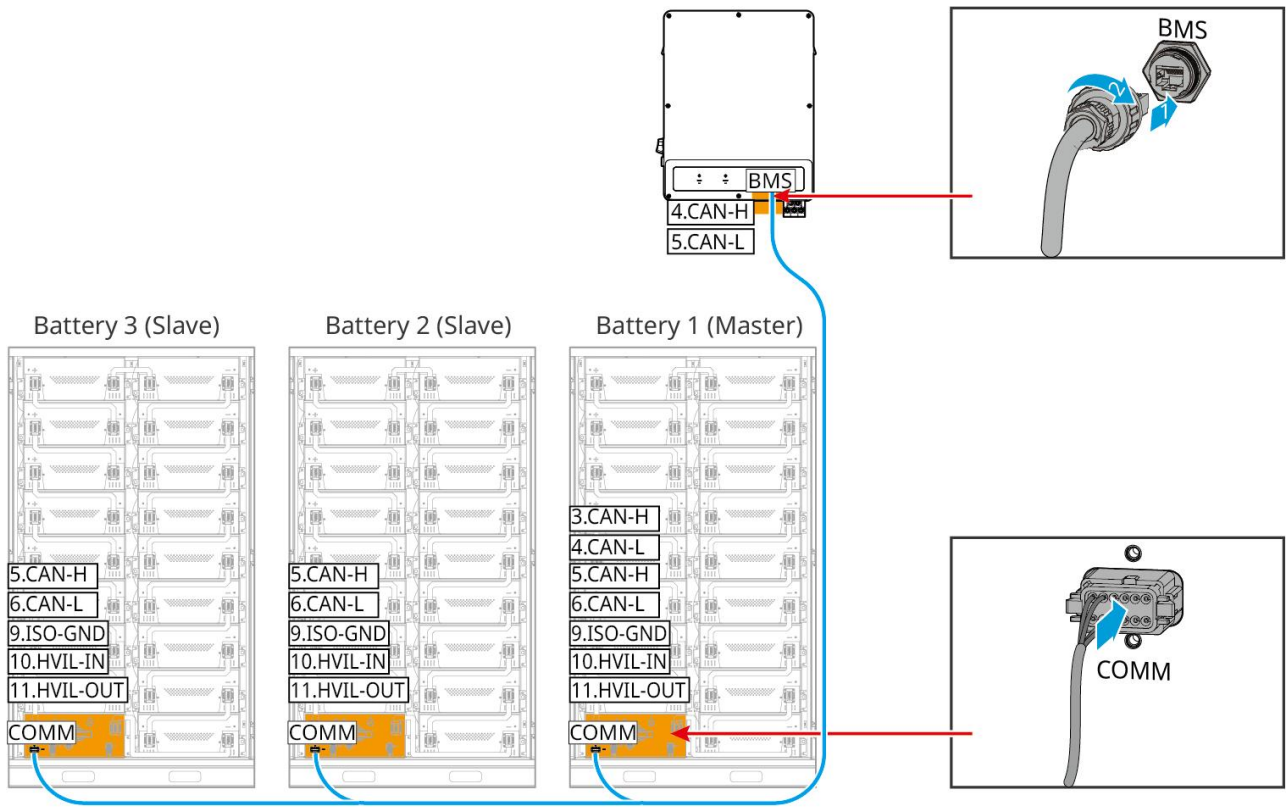
NOTICE

The communication cable is included in the package of the battery system, the included communication cable is recommended.

Instructions for BMS communication connection between the inverter and the battery:

Port	Definition	Description
BMS	4: CANH1 5: CANL1	The inverter communicates with the battery through CAN.
COMM	3: CAN2H 4: CAN2L	Connect inverter using CAN communication
	5: CAN3H 6: CAN3L	CAN communication for parallel connected battery system
	7: RS485_A1 8: RS485_B1	Connecting with inverter using RS485 communication
	9: ISO_GND	Grounding of parallel connected batteries mutual locking
	10: HVIL_IN 11: HVIL_OUT	Input and output of interlocking signals between paralleled batteries

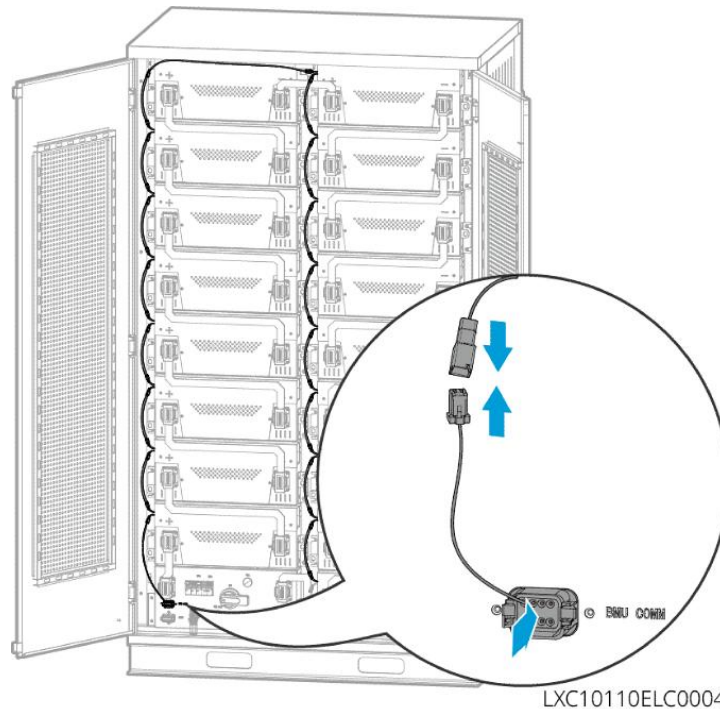
Communication cable between inverter to battery



Lynx C 101-156kWh HV

ET5010ELC0006

Battery communication cable



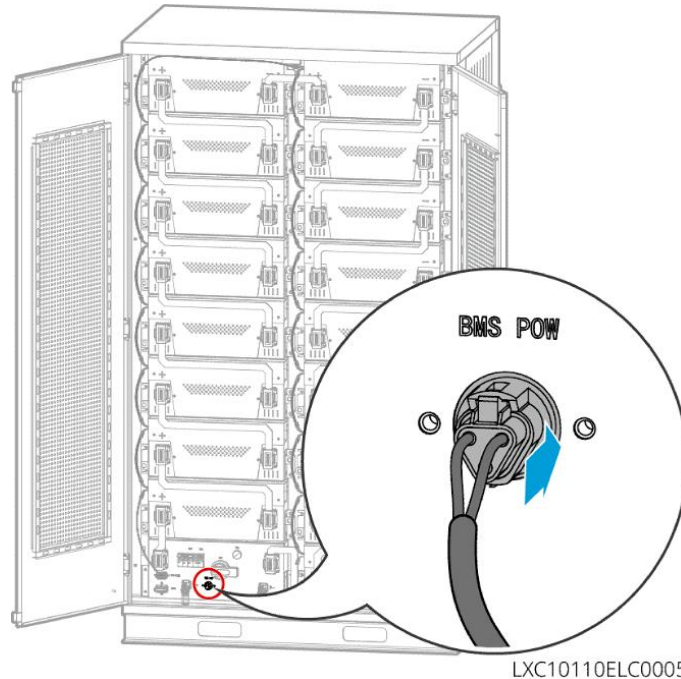
6.6.1.4 (Optional) Connecting Lynx C Series 101-156kWh High Voltage Battery AC power supply cable

NOTICE

- The BMS is able for DC self-powered, as well as Single Phase AC supplying externally. The single

phase AC cable is used for external power supply. Choose whether to use it based on the actual demanding.

- Please use an uninterruptible power supply for single phase AC power supply (UPS: Uninterruptable Power Supply)
- The input voltage range for the single phase AC power is 100-240V. Its power is $\geq 60W$ and frequency is 50-60Hz.
- The single phase AC terminals and cables are delivered with the product.



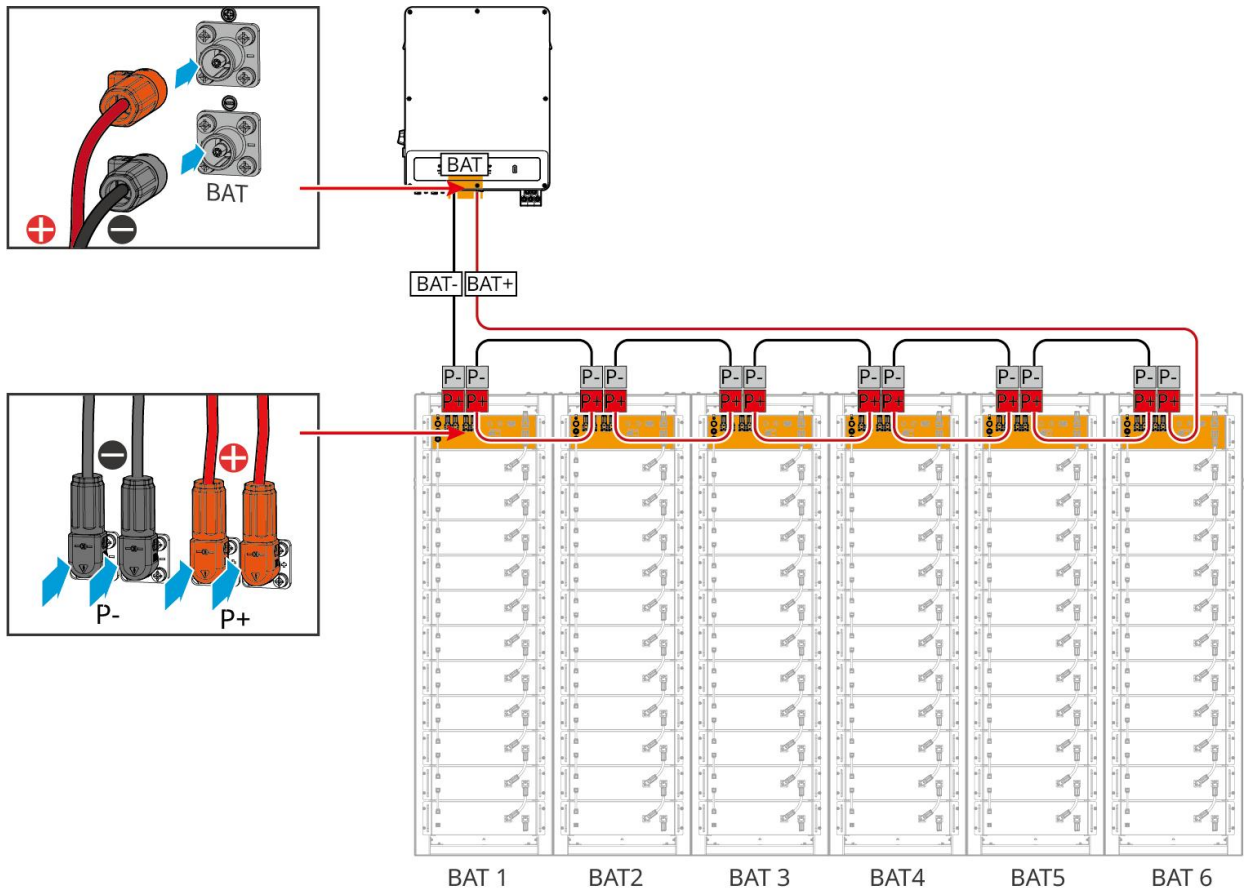
6.6.2 BAT-S Series 25.6-56.3kWh High Voltage Battery

6.6.2.1 Connecting the Power Cable between Inverter and Battery

NOTICE

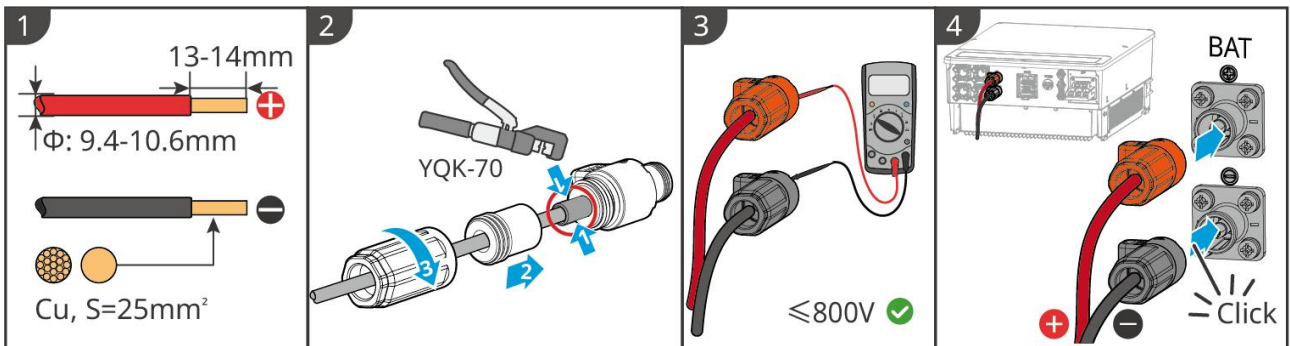
BAT Series 25.6–56.3kWh High Voltage Battery supports up to 6 battery cabinets in parallel clusters.

Overview of inverter and battery power cable



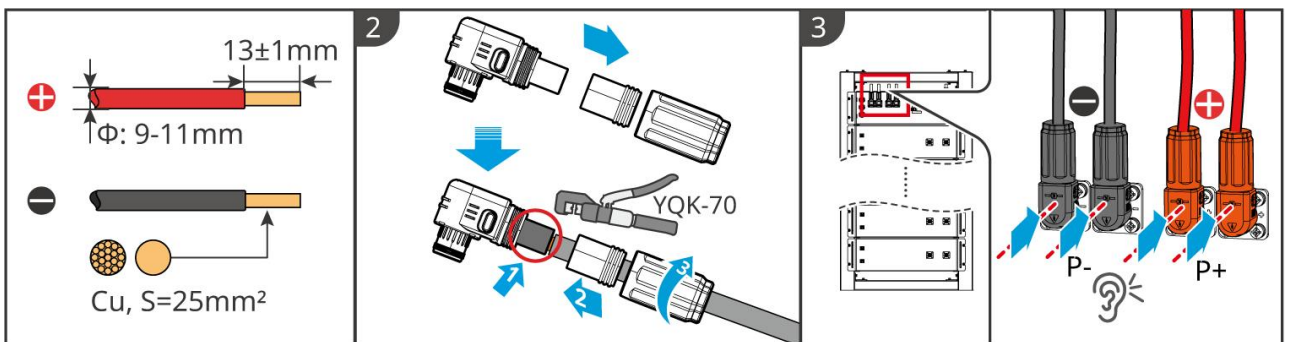
ET5010ELC0015

Cable making method of the inverter side



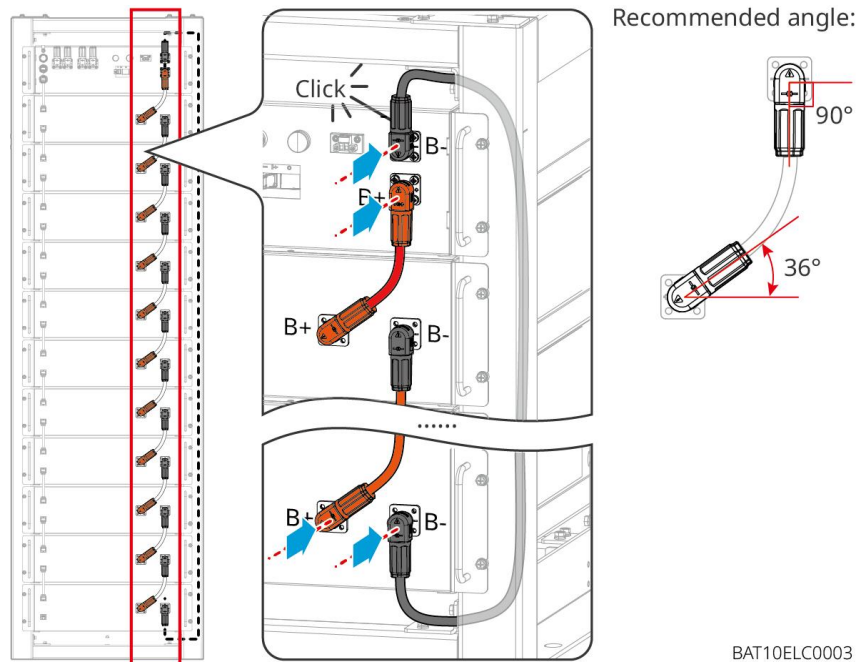
ET5010ELC0005

Cable making method of the battery system-side (including battery parallel wiring)



BAT10ELC0002

6.6.2.2 Connecting the power cable in the battery system



6.6.2.3 Connecting the communication cable

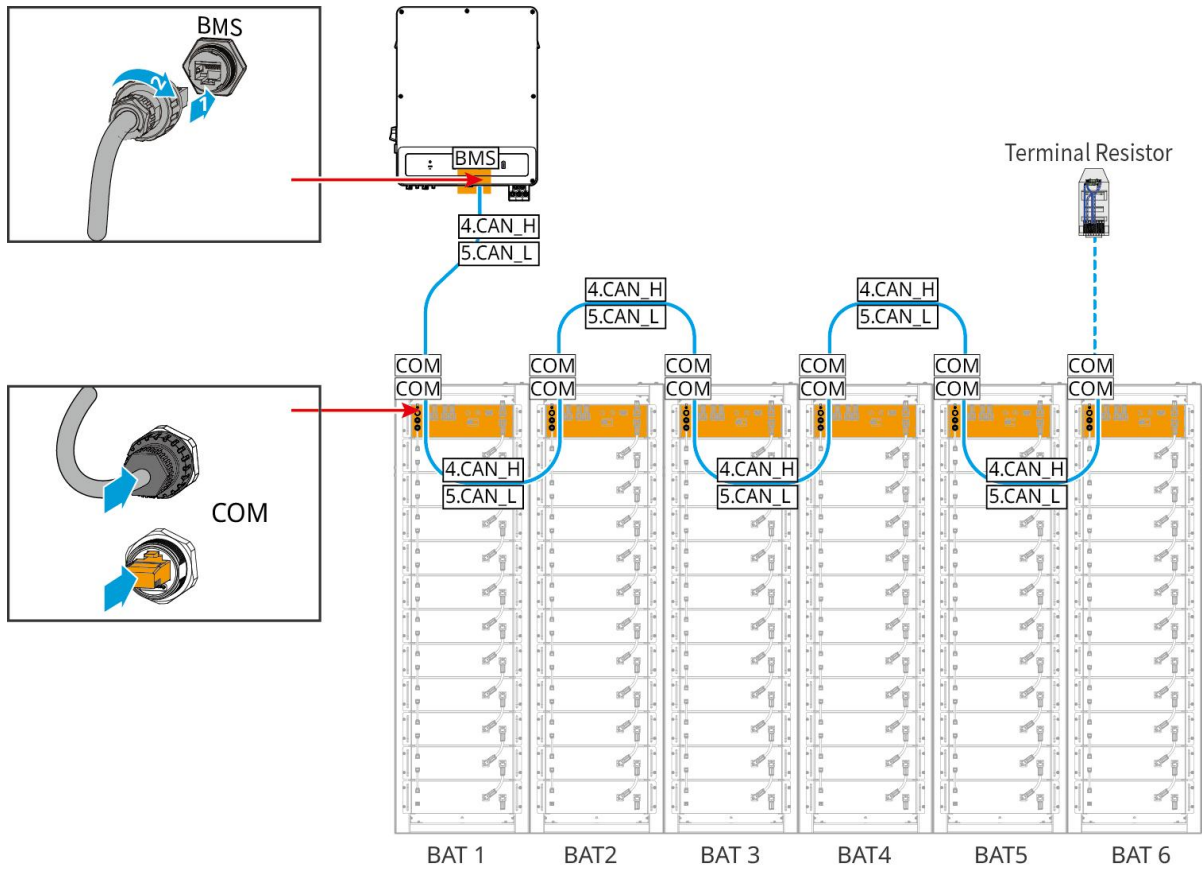
NOTICE

The communication cable is included in the package of the battery system, the included communication cable is recommended.

Instructions for BMS communication connection between the inverter and the battery:

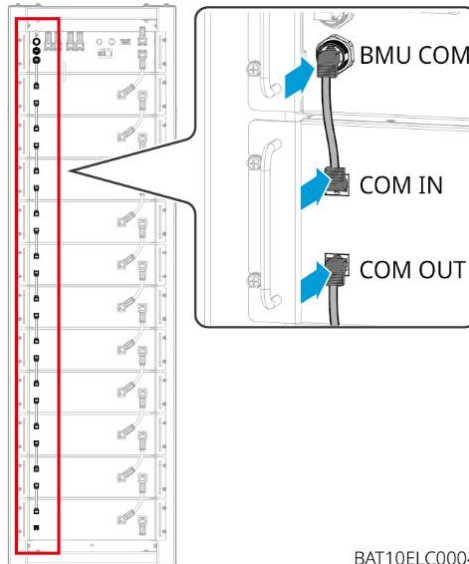
Port	Definition	Description
COM1, COM2	1: RS485_A1 2: RS485_B1	Communicate with an inverter (reserved)
	4: CAN_H 5: CAN_L	Communicate with an inverter or another battery system

Communication cable between inverter to battery



ET5010ELC0016

Battery communication cable



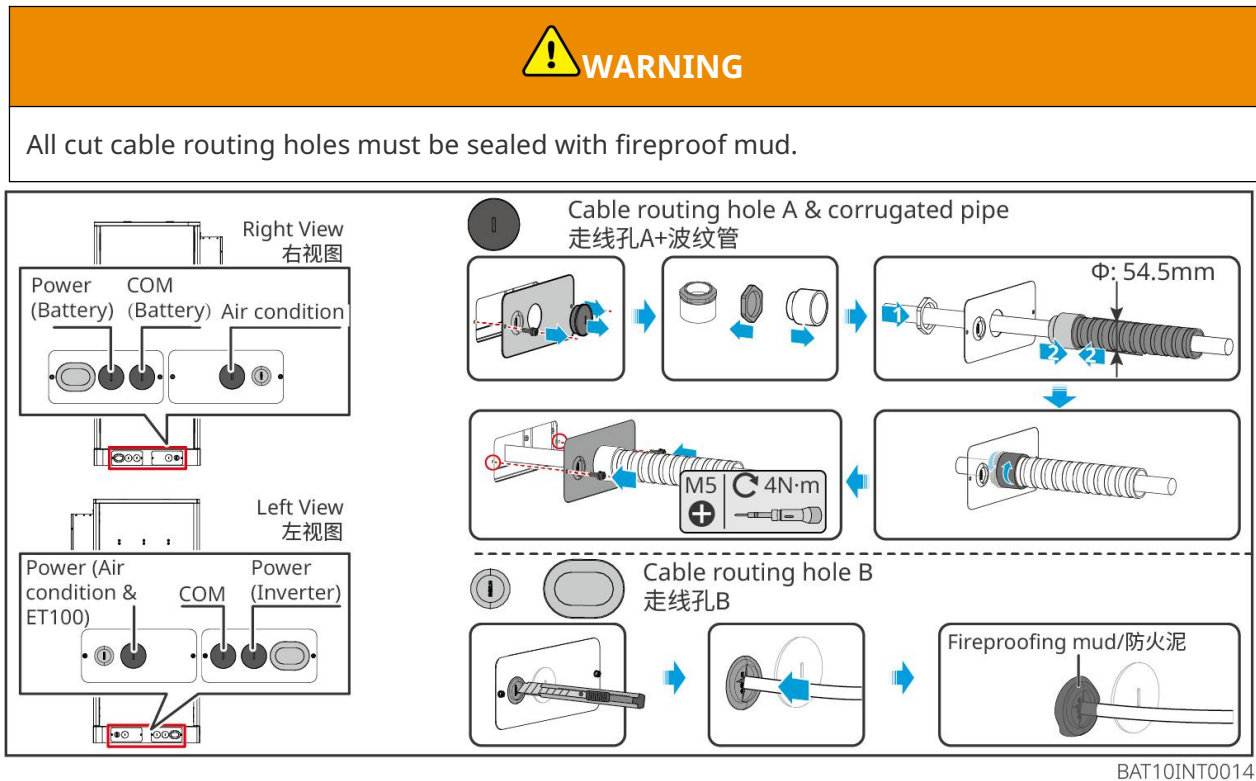
BAT10ELC0004

NOTICE

When connecting communication cables among internal PACKs of the battery, there is no need to wire the COM OUT port of the bottom PACK, and no need to connect a terminal resistor!

6.6.3 BAT-C Series 92.1-112.6kWh C&I Battery System

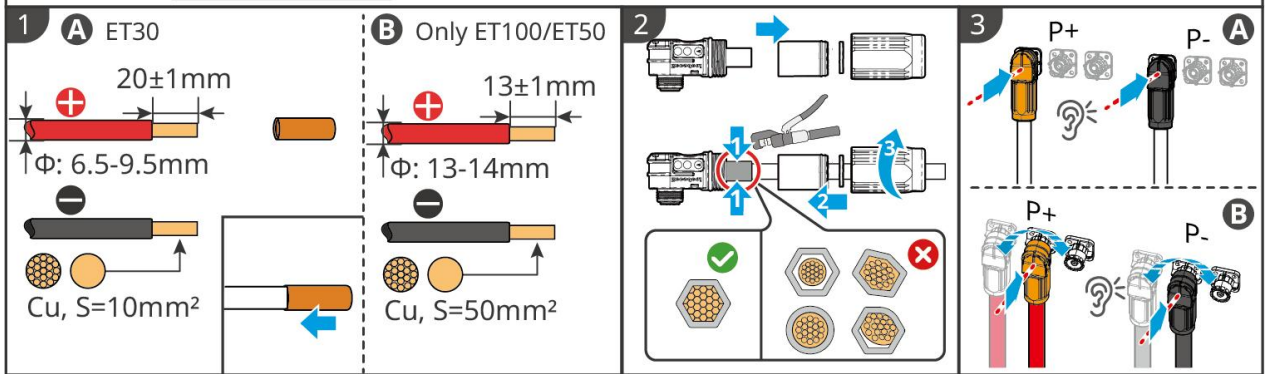
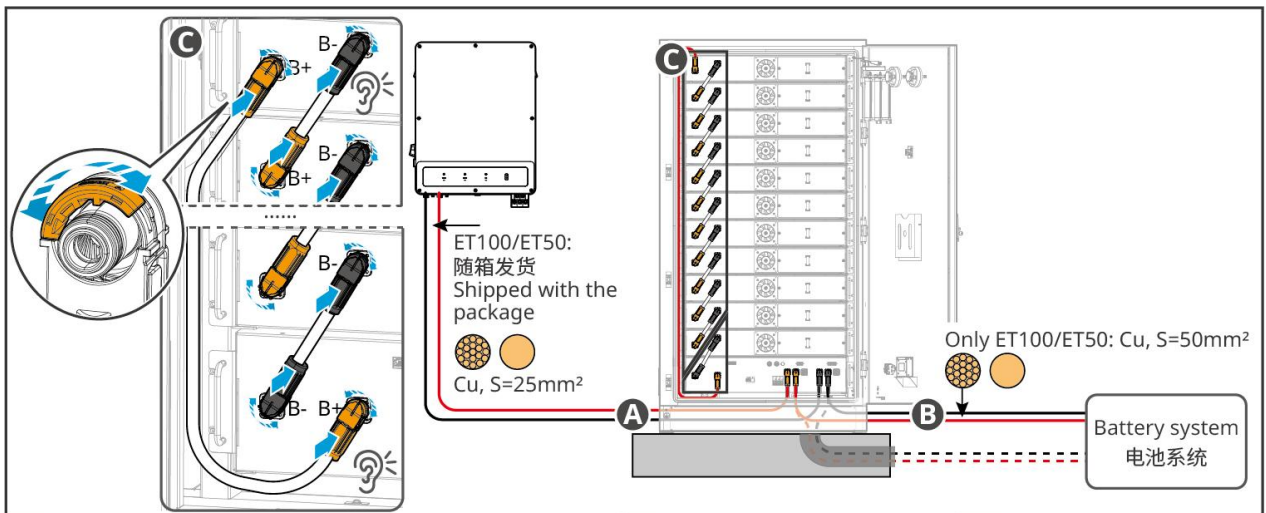
6.6.3.1 Battery wire-passing holes and system wiring introduction



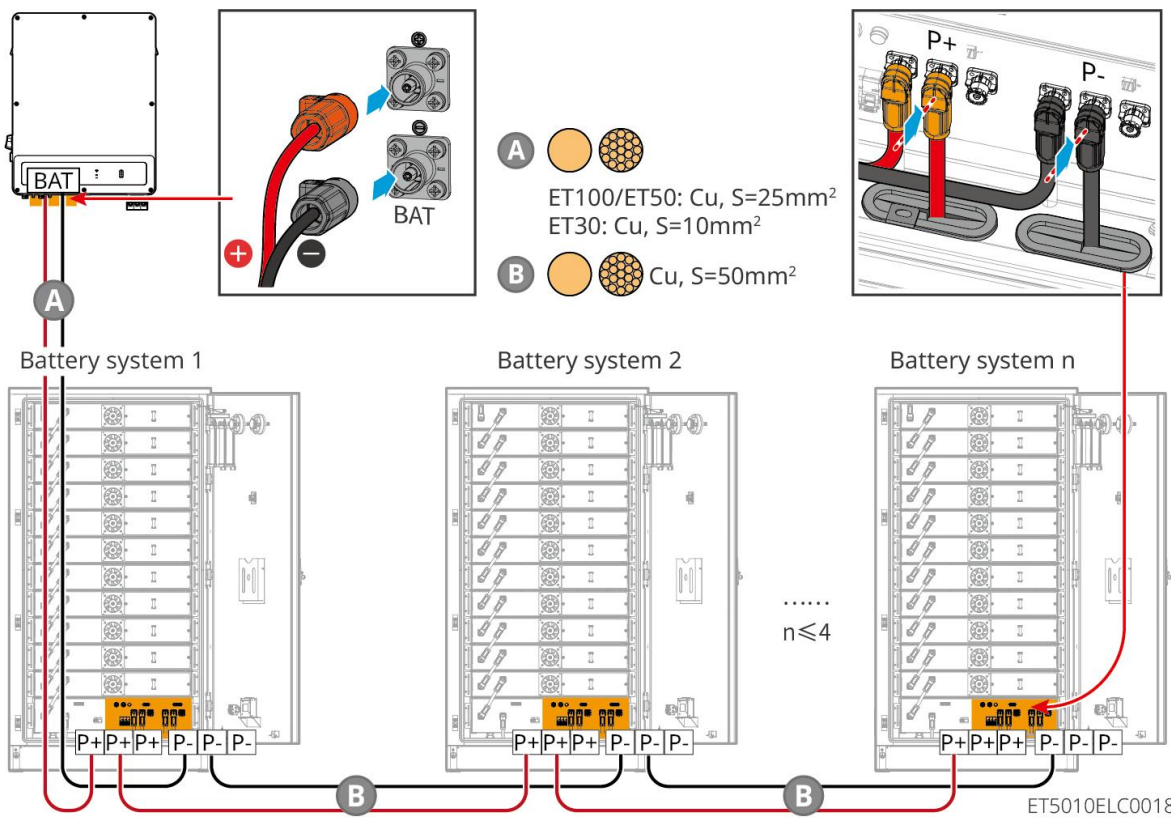
6.6.3.2 Connecting the power cables between the inverter and the batteries, and the power cables among the batteries

NOTICE

- When connecting the inverter to the battery, use the cables supplied in the box. If the cable length is insufficient, select compliant cables and crimp them yourself.
- BAT Series 92.1-112.6kWh C&I Battery System supports up to 4 battery cabinets in parallel clusters.



BAT10ELC0008



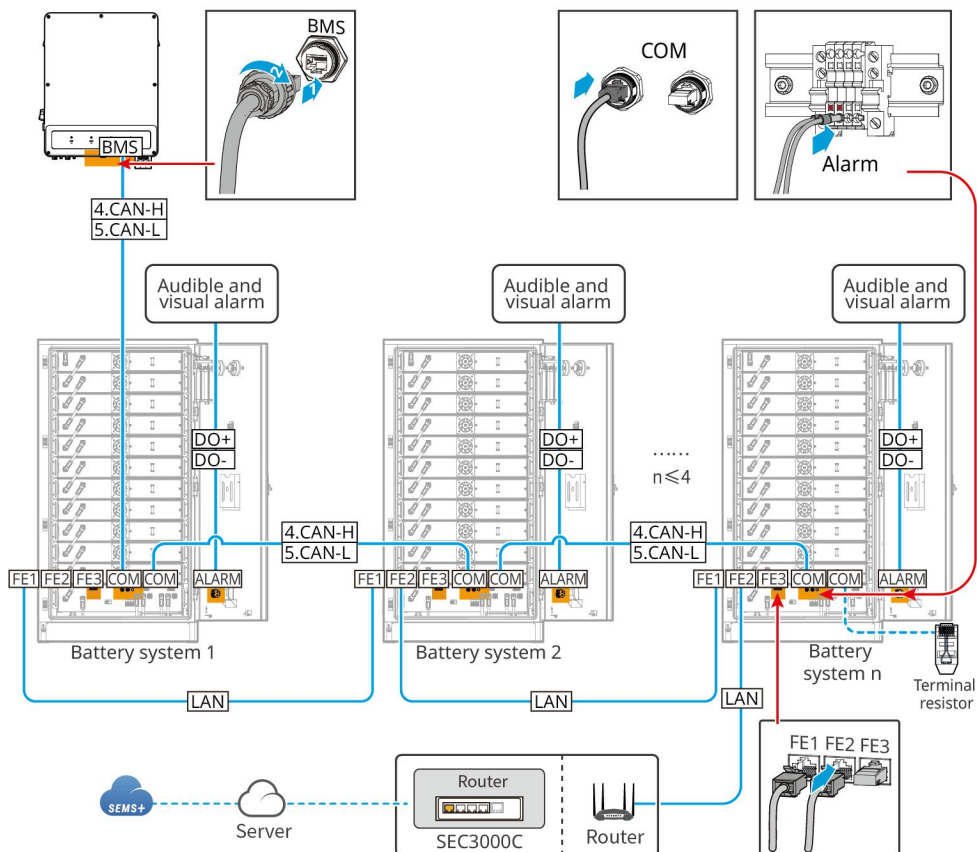
6.6.3.3 Connecting the communication cables

Note

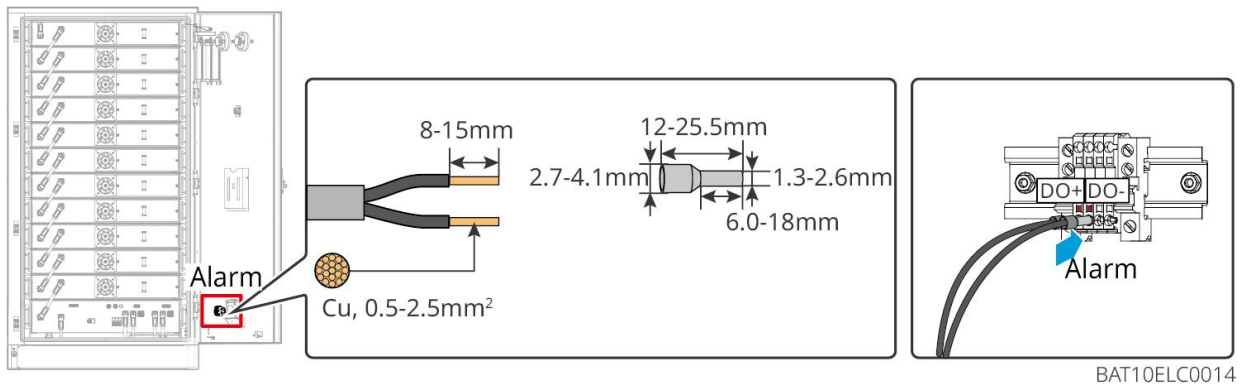
- When leaving the factory, the terminal resistor is already connected to the external communication port of the battery system. If it is necessary to connect the communication cable, please unplug the terminal resistor. Conversely, the terminal resistor should be retained for ports without a communication cable connected.
- Retain the terminal resistors on the COM ports of the battery farthest from the inverter to enhance communication quality when clustering batteries.
- When batteries are clustered in parallel, the maximum communication distance from the inverter to the batteries is 50 meters. Ensure that the distance from the farthest battery to the inverter does not exceed 50 meters.
- The battery system is delivered with communication cables in the package. Please use the communication cables provided with the package.

Communication connection instructions for BMS between the inverter and batteries

Port	Definition	Explanation
1-3, 6-8	-	-
4	CAN_H	The CAN bus is used for communication with the inverter and battery system clustering.
5	CAN_L	

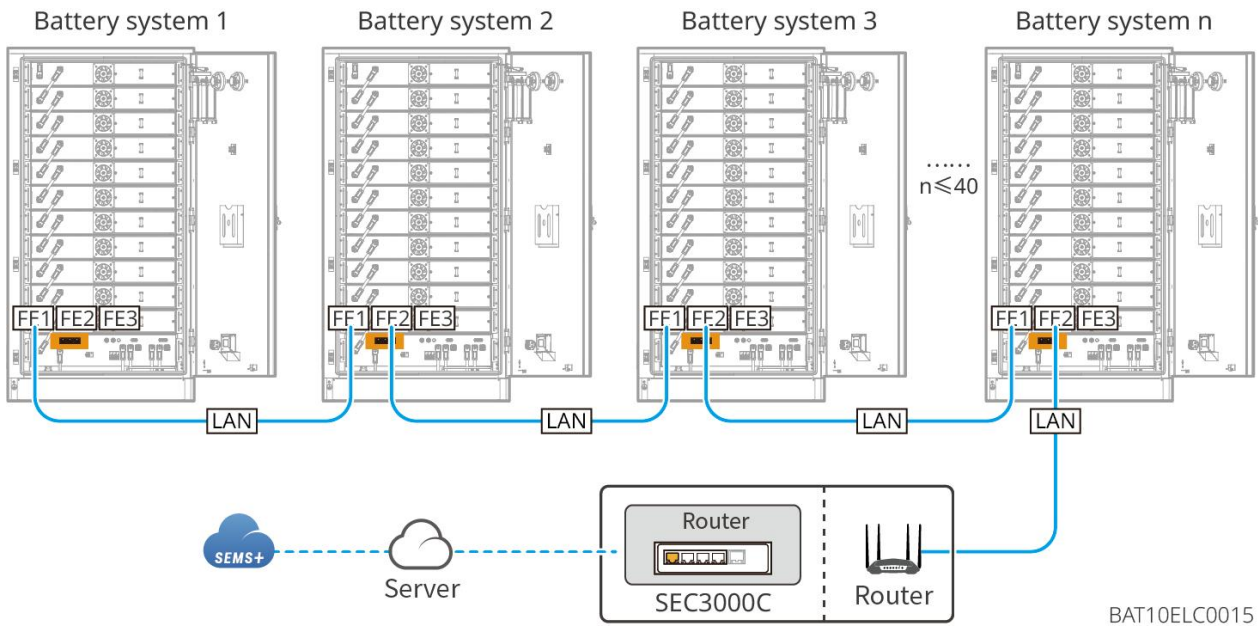


ET5010ELC0019



LAN Communication

LAN communication between batteries supports transmission of cell-level information, with support for up to 40 battery systems connected in parallel. Use shielded network cables for LAN communication, and the connected router must be the one paired with the inverter.



6.6.3.4 Connecting the battery to air-conditioner wires

Wiring steps::

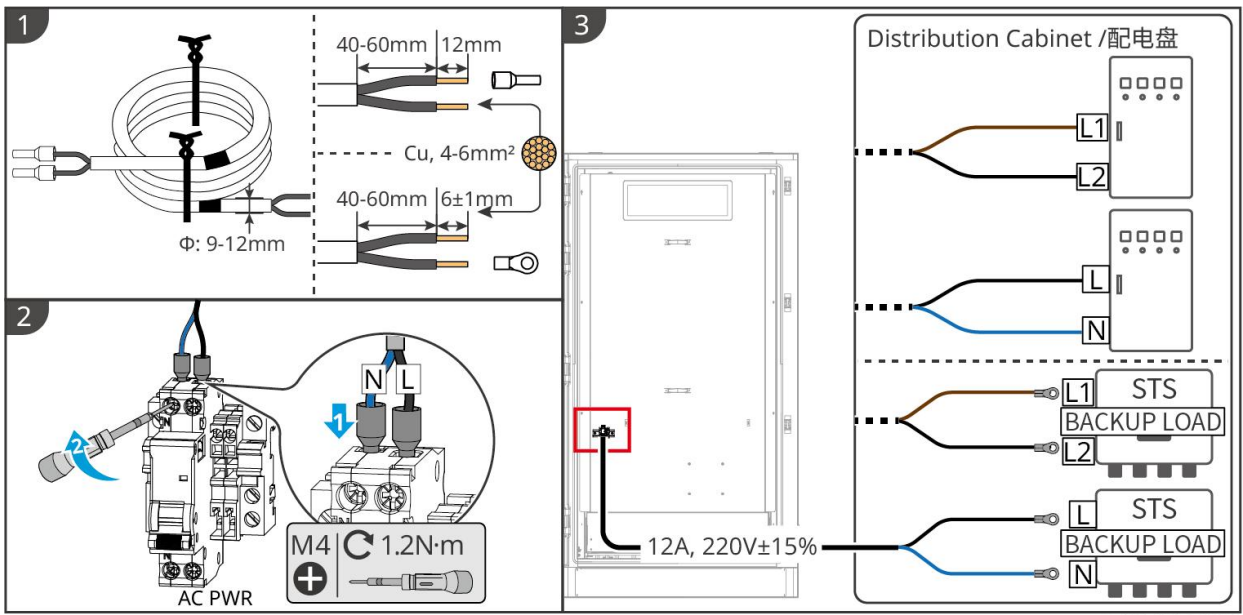
Step 1: Fabricate the air-conditioner cables.

Step 2: Connect the cables to the air-conditioner switches of the batteries.

Step 3: Connect the cables to the distribution panel or to the BACKUP port of the inverter via STS.

NOTICE

- When connecting battery systems in parallel, please connect the air conditioning power cables separately.
- Ensure the air conditioner power cord operates at 220V \pm 15% and a rated current of 12A.

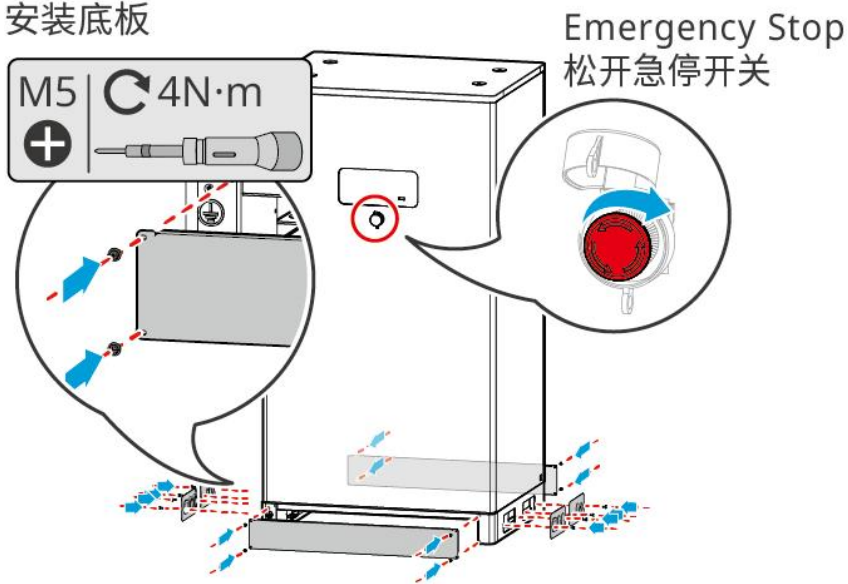


BAT10ELC0009

6.6.3.5 Install the base plate and release the emergency stop switch.

Reinstall the baffle at the bottom of the battery and turn the emergency-stop switch clockwise to release it after completing the wiring.

Pedestal installation
安装底板



BAT10INT0009

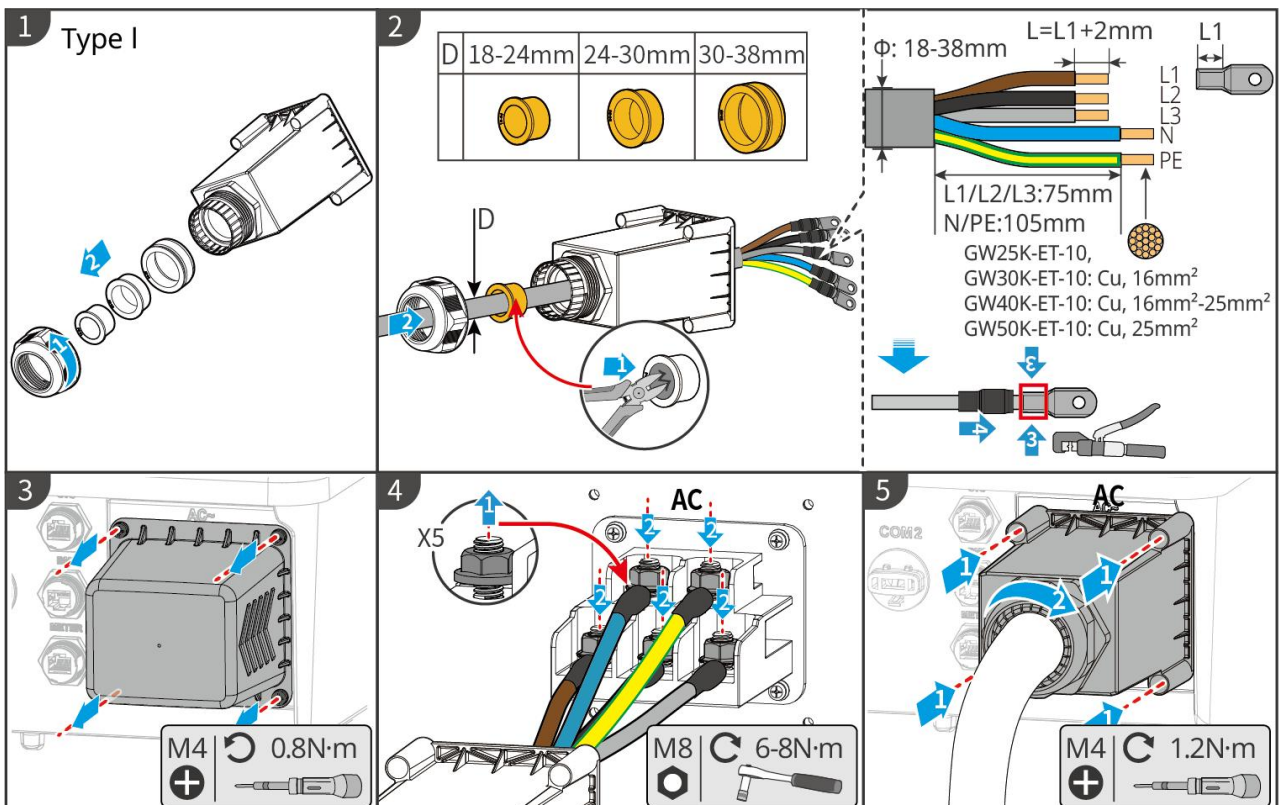
6.7 Connecting the AC Cable



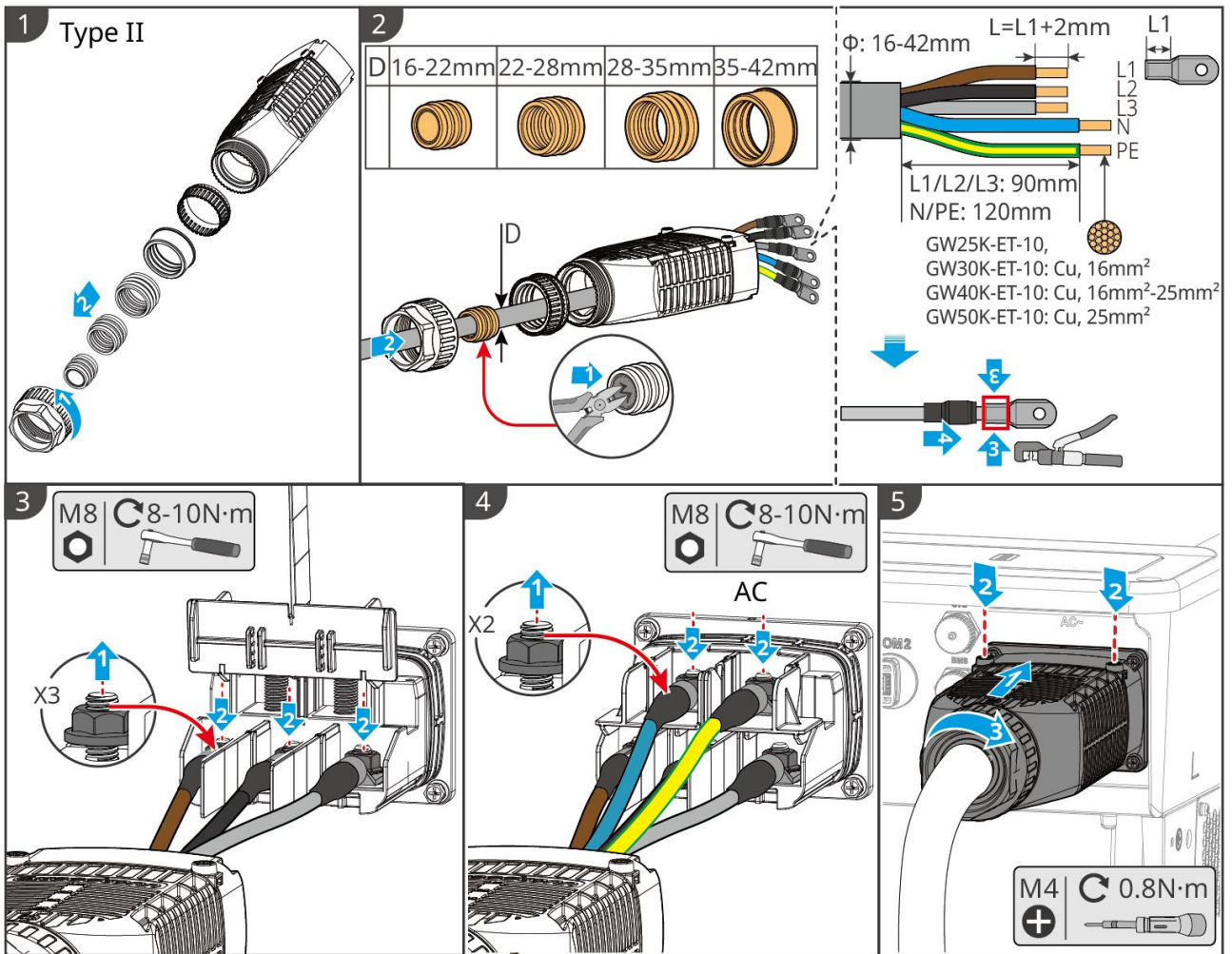
WARNING

- The residual current monitoring unit (RCMU) is integrated into the inverter to avoid the residual current exceeds the limit. The inverter will disconnect the utility grid quickly once it found the residual current exceeds the limit.
- Ensure the AC cables match the AC terminals labeled "L1", "L2", "L3", "N", "PE" when connecting cables. Incorrect cable connections will damage the equipment.
- Ensure that the whole cable cores are inserted into the terminal holes. No part of the cable core can be exposed.
- Ensure that the insulation board is inserted into the AC terminal tightly.
- Ensure that the cables are connected securely. Otherwise it will cause damage to the inverter due to overheat during its operation.
- To keep the BACK-UP loads working when the Inverter is powered off for maintenance, single pole double throw switch is recommended.

6.7.1 Connecting the AC cable of the inverter

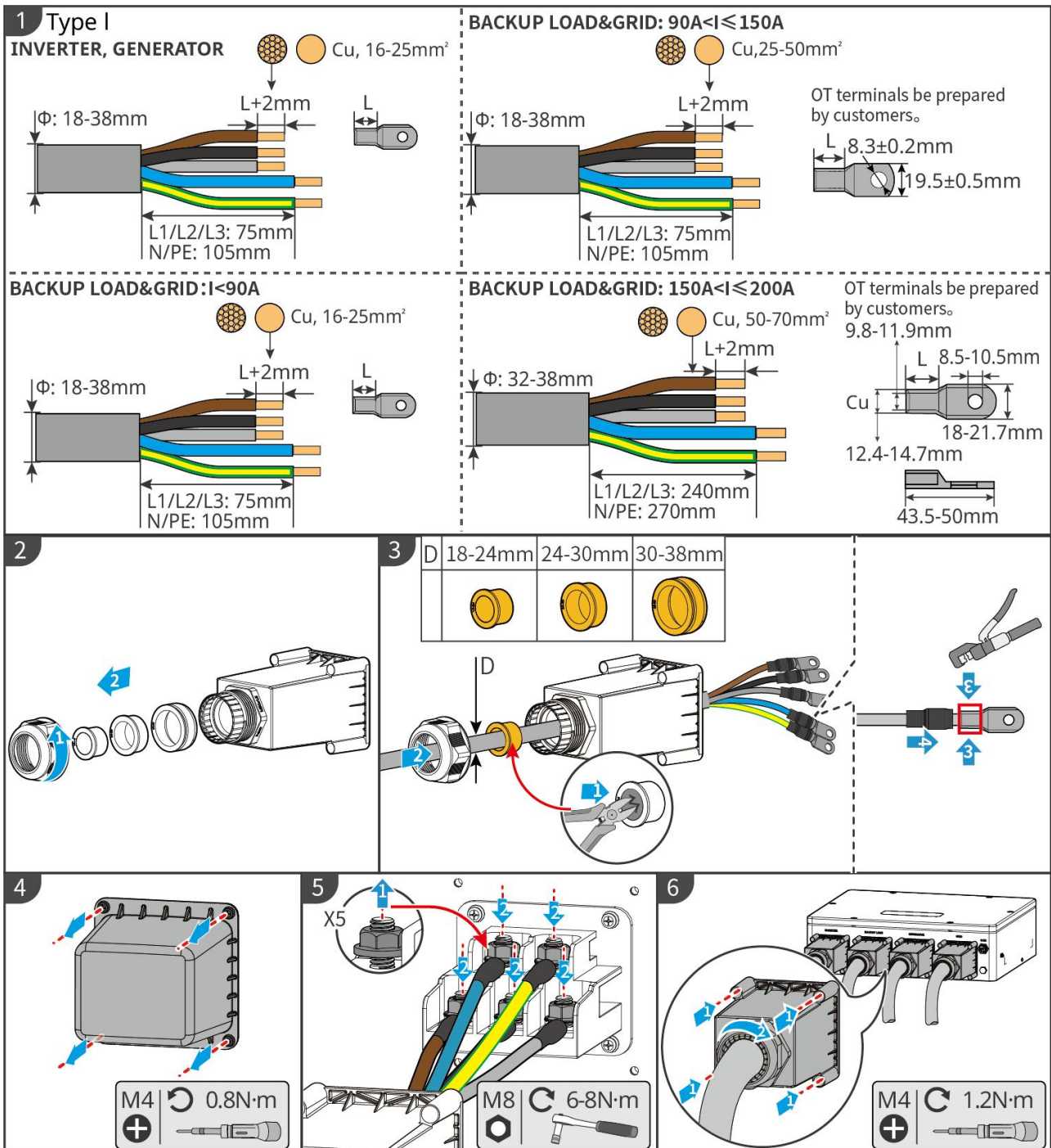


ET5010ELC0008

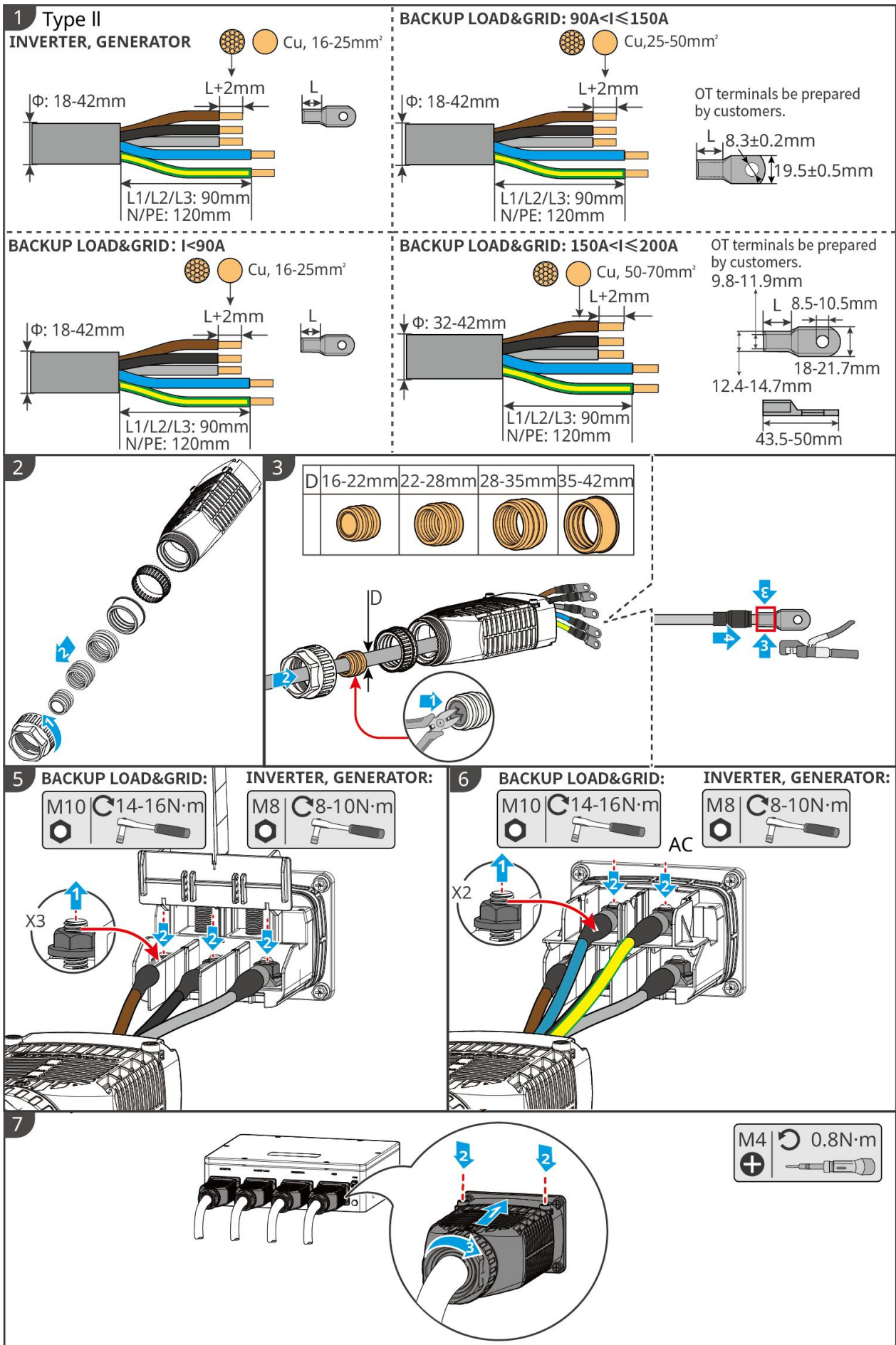


ET5010ELC0020

6.7.2 (Optional) Connecting the AC cable of STS



STS10ELC0001



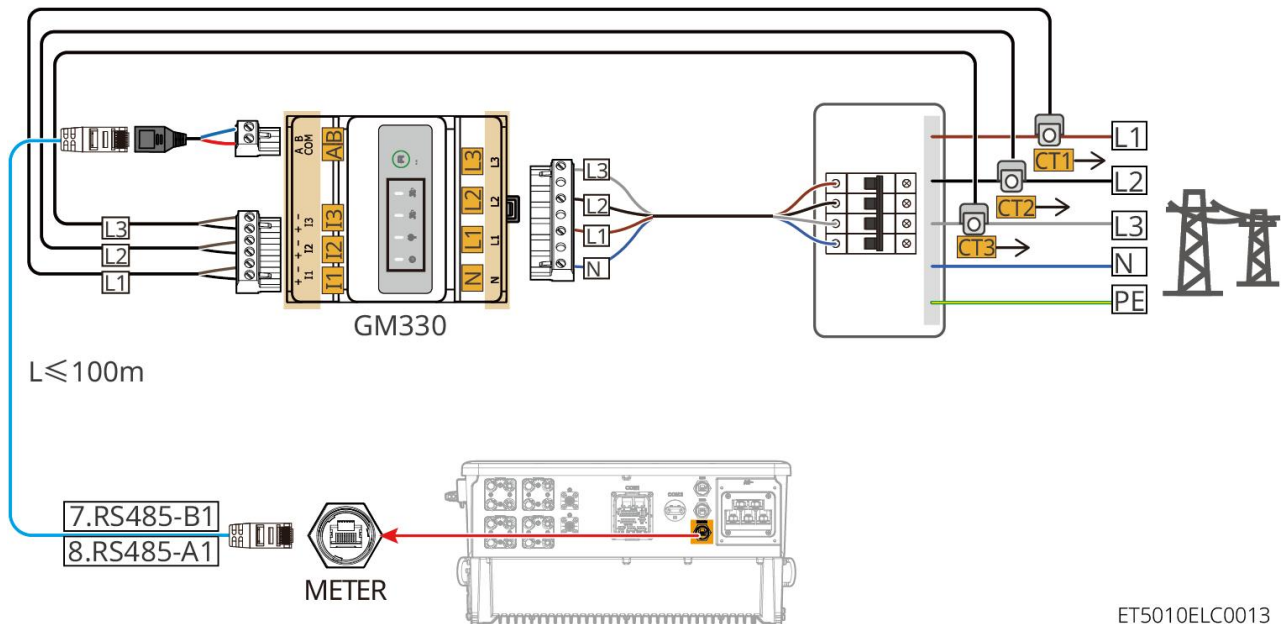
STS10ELC0004

6.8 Connecting the Meter cable

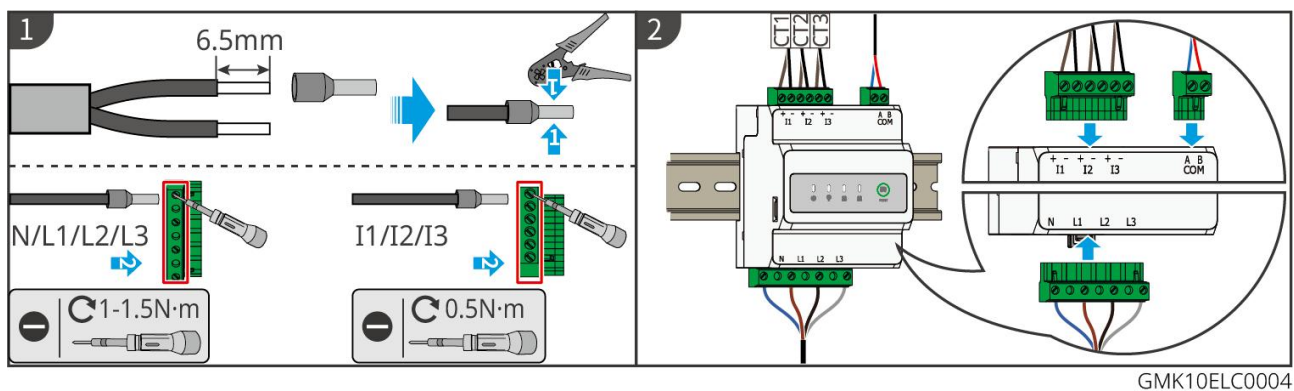
NOTICE

- The smart meter included in the package is intended for a single inverter. Do not connect one smart meter to multiple inverters. Contact the manufacturer for additional smart meters if multiple inverters are connected.
- Ensure that the CT is connected in the correct direction and phase sequences, otherwise the monitoring data will be incorrect.
- Ensure the cables are connected tightly, securely and correctly. Inappropriate wiring may cause poor contacts and damage the equipment.
- In areas at risk of lightning, if the meter cable exceeds 10m and the cables are not wired with grounded metal conduits, you are recommended to use an external lightning protection device.

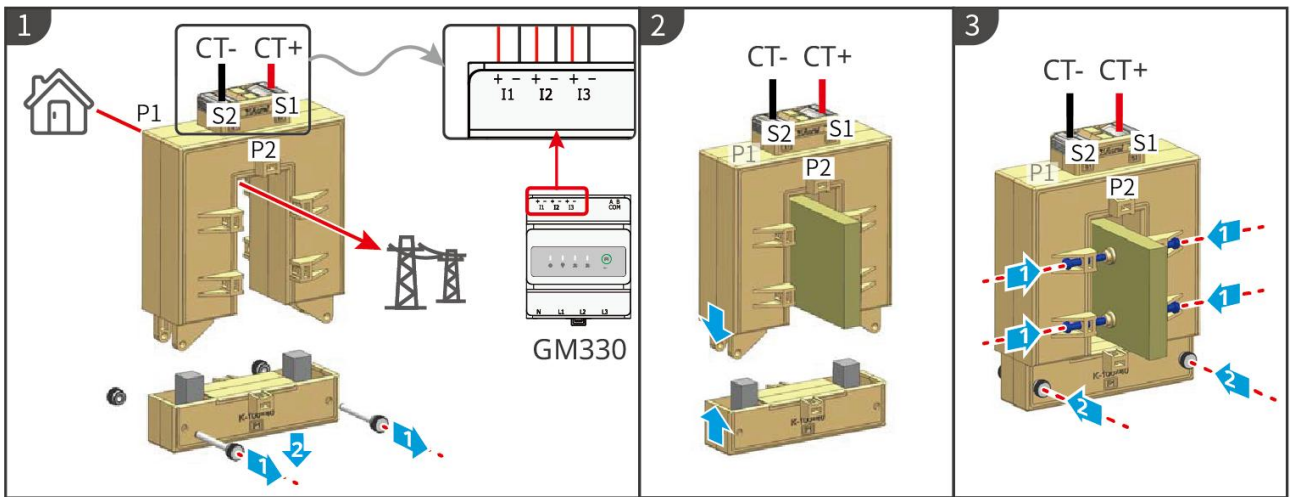
Wiring of GM330



Connection steps

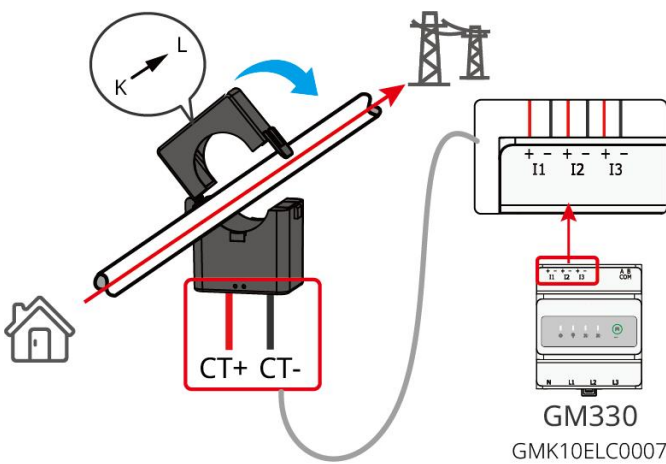


Installing the CT (Type I)



GMK10ELC0006

Installing the CT (Type II)



GMK10ELC0007

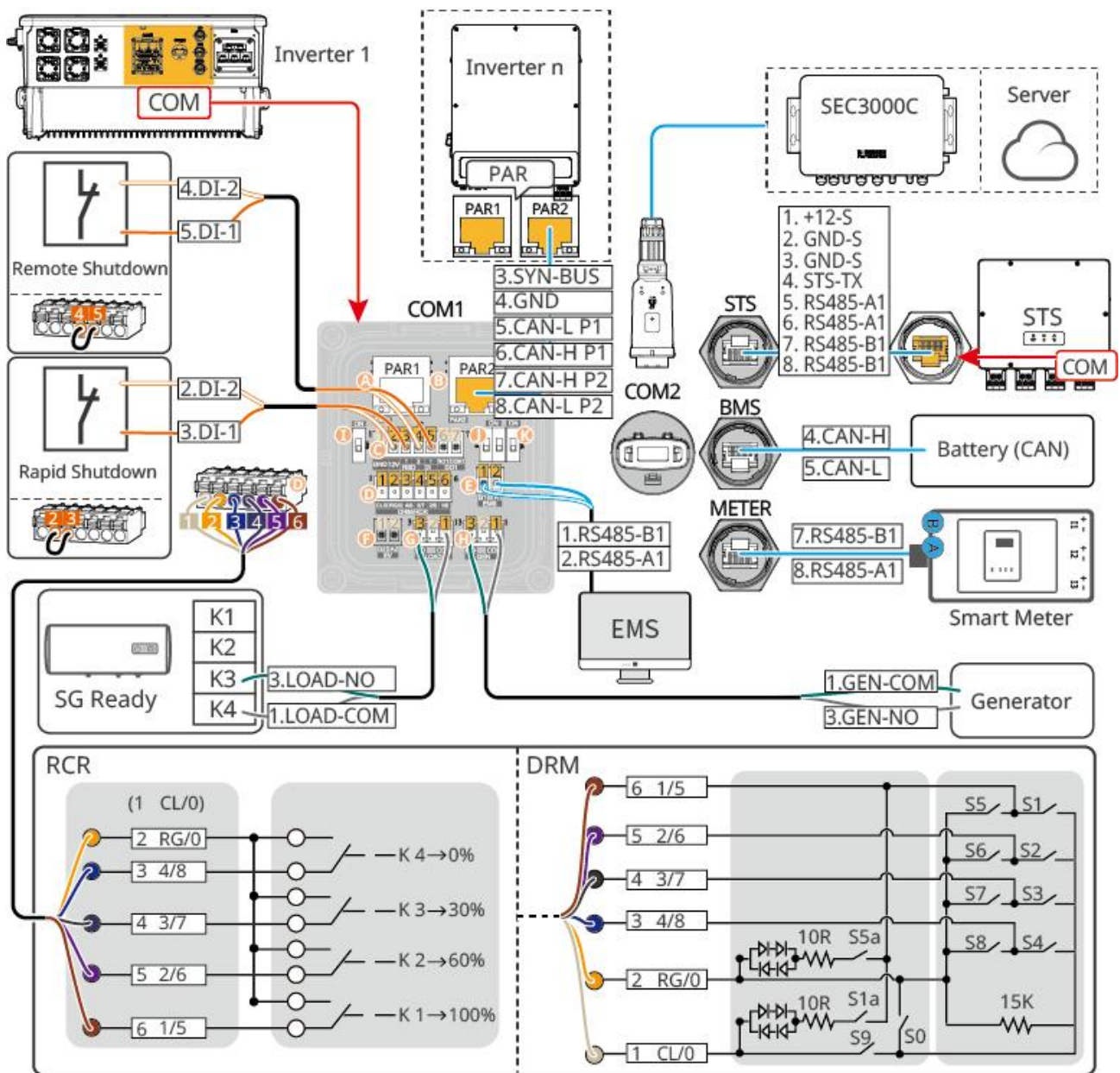
6.9 Connecting the Inverter Communication Cable

NOTICE

- The communication functions are optional. Connect the cables based on actual needs.
- Enable the DRED, RCR function or remote shutdown function via SolarGo App or SEC3000C Web after cable connections.
- If the inverter is not connected to the DRED device or remote shutdown device, do not enable these functions in the SolarGo App or SEC3000C Web, otherwise the inverter cannot operate normally.
- When using the inverter with a 4G smart dongle, note the following issues:
 - The 4G module is an LTE single-antenna device, suitable for applications with lower requirements for data transmission rates.
 - To ensure the quality of 4G signal communication, do not install the device indoors or in areas with metal interference signals.
 - To ensure accurate positioning, do not install the 4G Kit-CN-G21 indoors, in obstructed locations, or in areas with signal interference.
 - The 4G module is equipped with a SIM card for mobile communication. Confirm that the device is installed in an area covered by mobile 4G signals.

- The 4G Kit-CN-G21 smart dongle supports changing the operator's communication card. If the local mobile signal is not covered, contact the after-sales service center to replace it with another operator's communication card.
- After installing the 4G Kit-CN-G21 smart dongle, please contact the after-sales service center to bind the inverter with the smart dongle. After binding, if you need to install the smart dongle on another inverter, please contact the after-sales service center to unbind it first.

Communication Descriptions

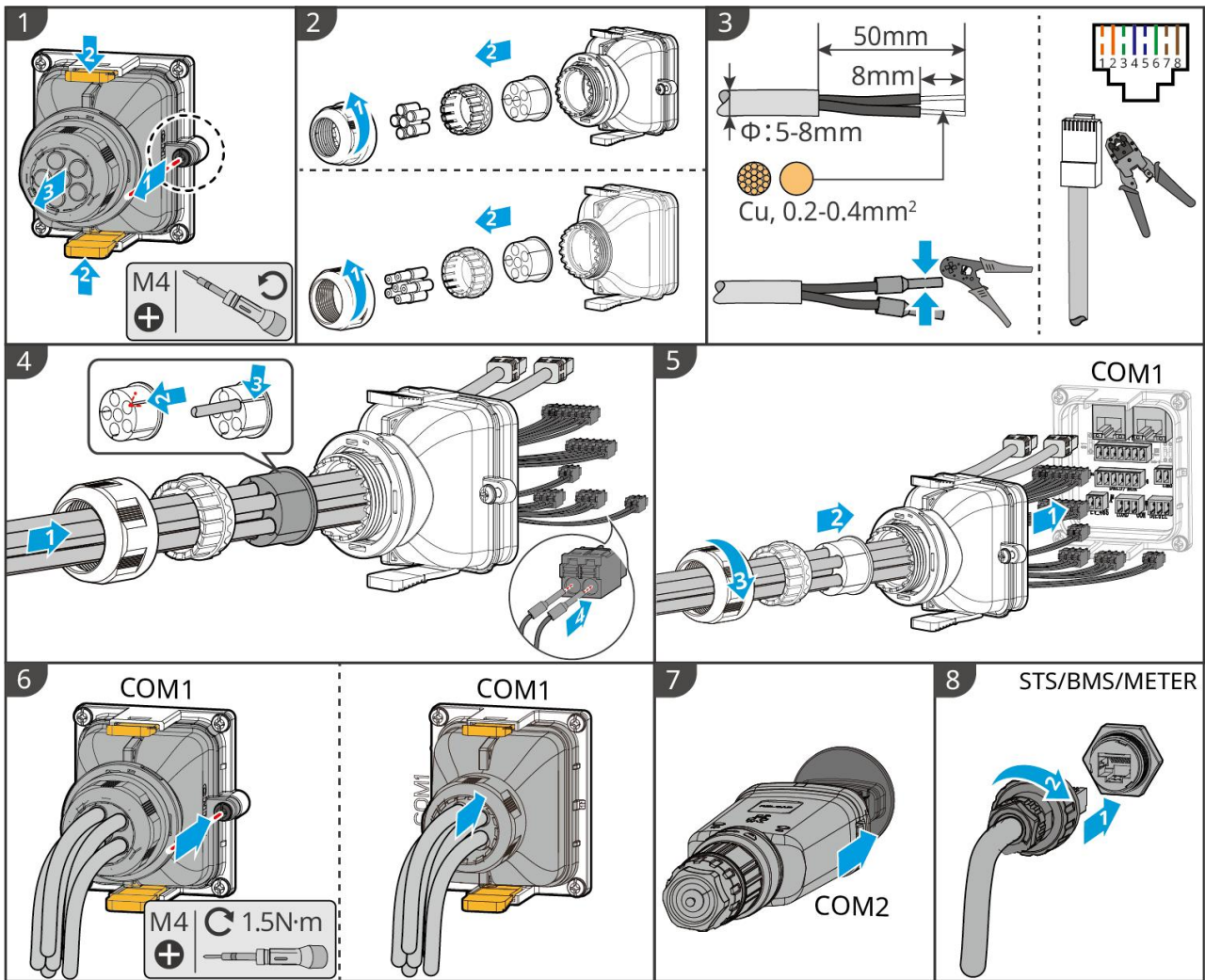


ET5010ELC0017

No.	Function	Description
A/B	Parallel communication port (Parallel)	CAN and BUS ports: parallel communication ports, use CAN communication to connect other inverters in the unit; use BUS bus to control the on grid and off grid status of each inverter in parallel system.
C (1-3)	RSD port (12V AUX RSD Control)	(Optional) Connect to a rapid shutdown device to control equipment shutdown in the event of an emergency. 2 and 3 short-circuited: Equipment operates normally. 2 and 3 not short-circuited: Equipment stops working.
C (4-5)	Remote Control port (Remote Control)	<ul style="list-style-type: none"> When an accident occurs, the equipment can be controlled to shut down. When using RCR or DRED functions on the inverter, please short circuit DGND_S and IO1.
D	DRED or RCR	<ul style="list-style-type: none"> DRED (Demand Response Enabling Device): The inverter meets the

	function connection port (DRED/RCR)	<p>Australian DRED certification requirements and provides a DRED signal control port.</p> <ul style="list-style-type: none"> ● In Germany and some European regions, power grid companies use Ripple Control Receiver to convert power grid dispatch signals into dry contact mode for transmission, and power stations receive power grid dispatch signals through dry contact communication.
F	(Reserved) EV charger communication connection port (EV_485)	(reserved) Used for connecting EV charger RS485 communication cable.
G	Load control port (LOAD CON)	The inverter has a dry contact controlling port, which supports connecting additional contactors to enable/disable the load. The load control mode is turned off by default, and the dry contact signal is open circuit; after the load control mode is turned on, the dry contact signal becomes short circuit.
H	Generator start-stop control port (DIESEL GEN)	<p>It supports the access of generator signal.</p> <p>The generator control mode is turned off by default, and the dry contact signal is open circuit; after the control mode is turned on, the dry contact signal becomes short circuit.</p>
E	Energy management system connection port (EMS)	RS485 communication port used to connect third-party EMS devices.
I/J/K	Dial Switch	To ensure communication quality during single inverter and inverter parallel operation, please refer to section 6.2 of the system wiring diagram for the dial switch operation.
STS	STS communication port (STS)	Used to connect the STS communication cable.
BMS	Battery system communication port (BMS)	Connect the battery system CAN signal communication port.
METER	Meter communication port (METER)	Using RS485 communication to connect smart meters.
COM2	Smart Dongle Connection Port	<p>The inverter supports connecting to a mobile phone or WEB interface through a smart dongle to set device parameters, view device operation information and fault information, and observe system status in time.</p> <p>Supports connecting WiFi/LAN Kit-20 dongles.</p>

Connecting the communication cable



ET5010ELC0009

7 Power ON the System

7.1 Check before Power ON

No.	Port definition
1	The inverter is firmly installed in a clean place where is well-ventilated and easy to operate.
2	The PE, DC input, AC output, communication cables, and terminal resistors are connected correctly and securely.
3	Cable ties are intact, routed properly and evenly.
4	Unused wire holes and ports: use the terminals supplied with the accessories for reliable connection, and then seal them up properly.
5	The used cable holes are sealed.
6	The voltage and frequency at the connection point meet the energy storage system grid connection requirements.








7.2 Power ON

WARNING

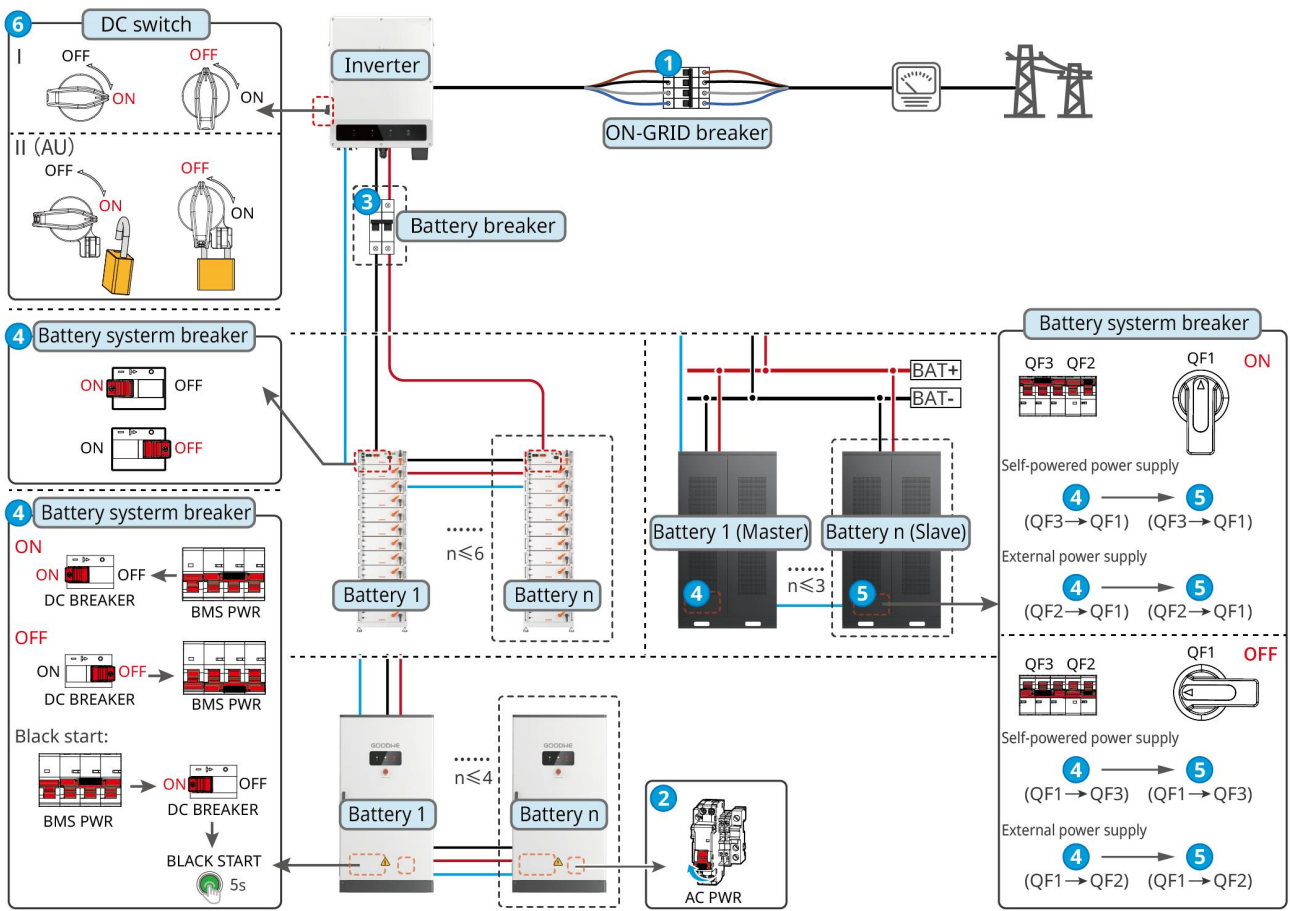
- When power on the parallel system, make sure that all the AC breakers of the slave inverters are powered on within one minute after powering on the AC breaker of the master inverter.
- BAT Series 92.1-112.6kWh C&I Battery System before powering on, ensure that the emergency stop button of the battery is in the released position.

NOTICE

If the inverter cannot work normally because there is no PV power generated or the power grid is abnormal, the battery black start function can be used to force the battery to charge and start the inverter. The inverter can enter the off-grid mode and the battery supplies power to the load.

- BAT Series 25.6-56.3kWh High Voltage Battery black start process:
 1. Turn on the DC Breaker, and the RUN  light flashes and the FAULT  light is off.
 2. Press and hold the RUN  for 5 seconds. If you hear the sound of the contactor closing and RUN  light turns to long light, the black start is successful; If the RUN  light keeps flashing and the FAULT  light keeps off, the black start fails.
 3. If the black start fails, press and hold RUN  for 5 seconds to repeat the black start process. If it fails again, please contact GoodWe after-sales personnel.
- BAT Series 92.1-112.6kWh C&I Battery System: The black-start procedure can be found in the power-on and power-off steps.
- The black start process of the rest batteries is the same as the the power-on process of their own.

7.2.1 Single Inverter without Off-grid Function

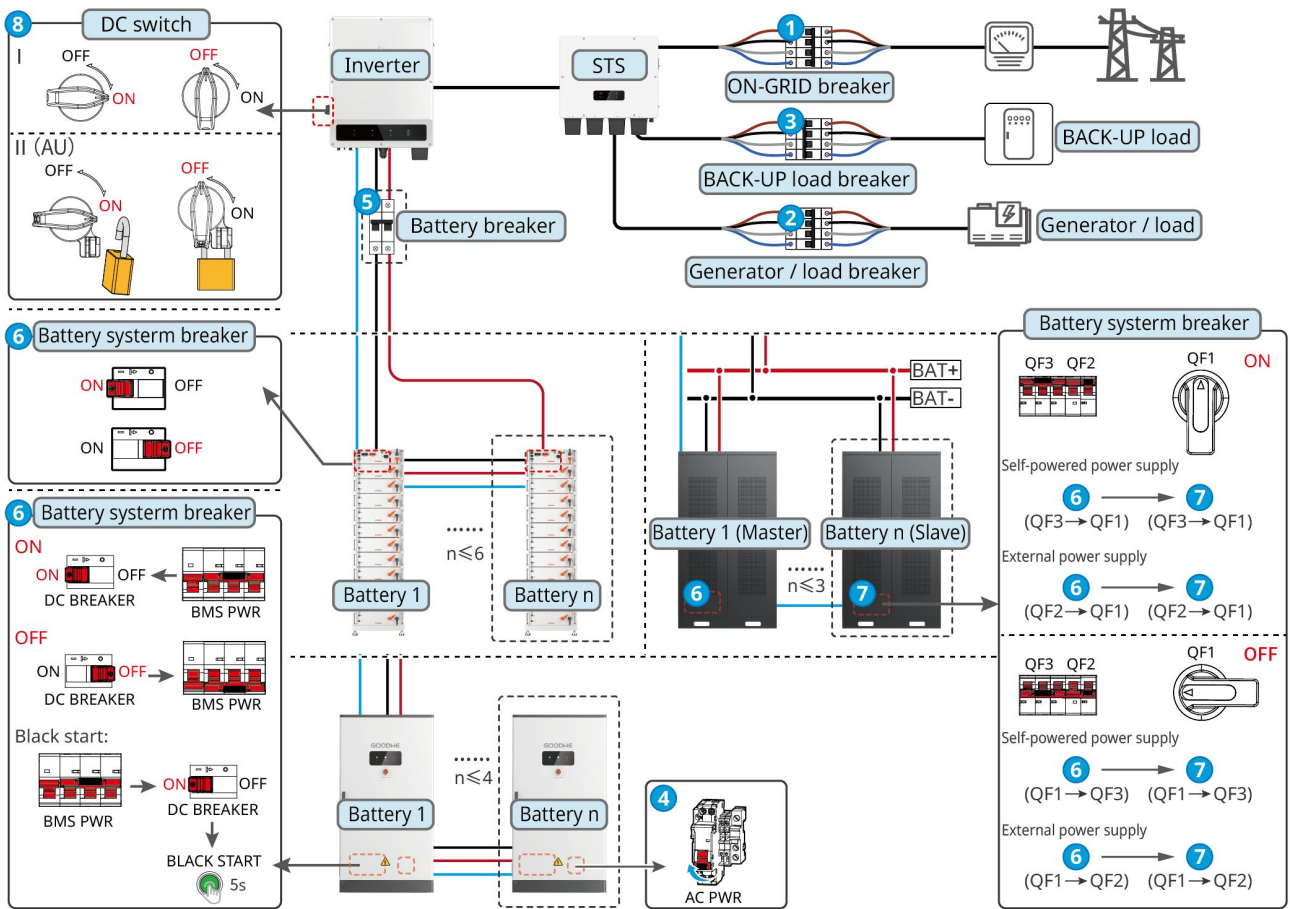


ET5010PWR0001

Power on the system: ① → ② → ③ → ④ → ⑤ → ⑥

③: Optional in compliance with local laws and regulations.

7.2.2 Single Inverter with Off-grid Function



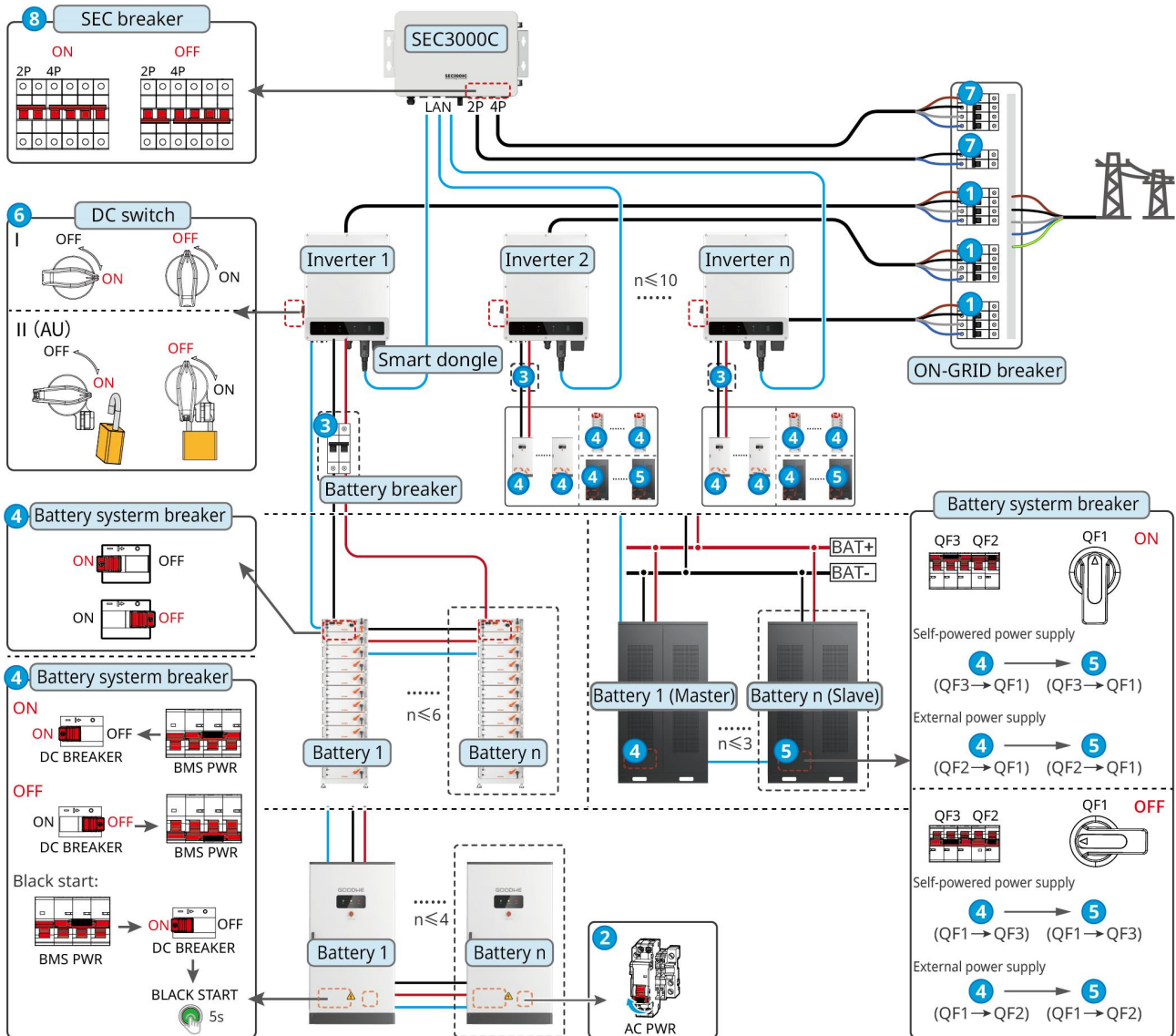
ET5010PWR0005

Power on the system: ① → ② → ③ → ④ → ⑤ → ⑥ → ⑦ → ⑧

⑤: Optional in compliance with local laws and regulations

7.2.3 Multiple Inverter without Off-grid Function

ET+Battery+SEC3000C+WiFi/LAN Kit-20 (Number of Inverters in Parallel ≤ 10)



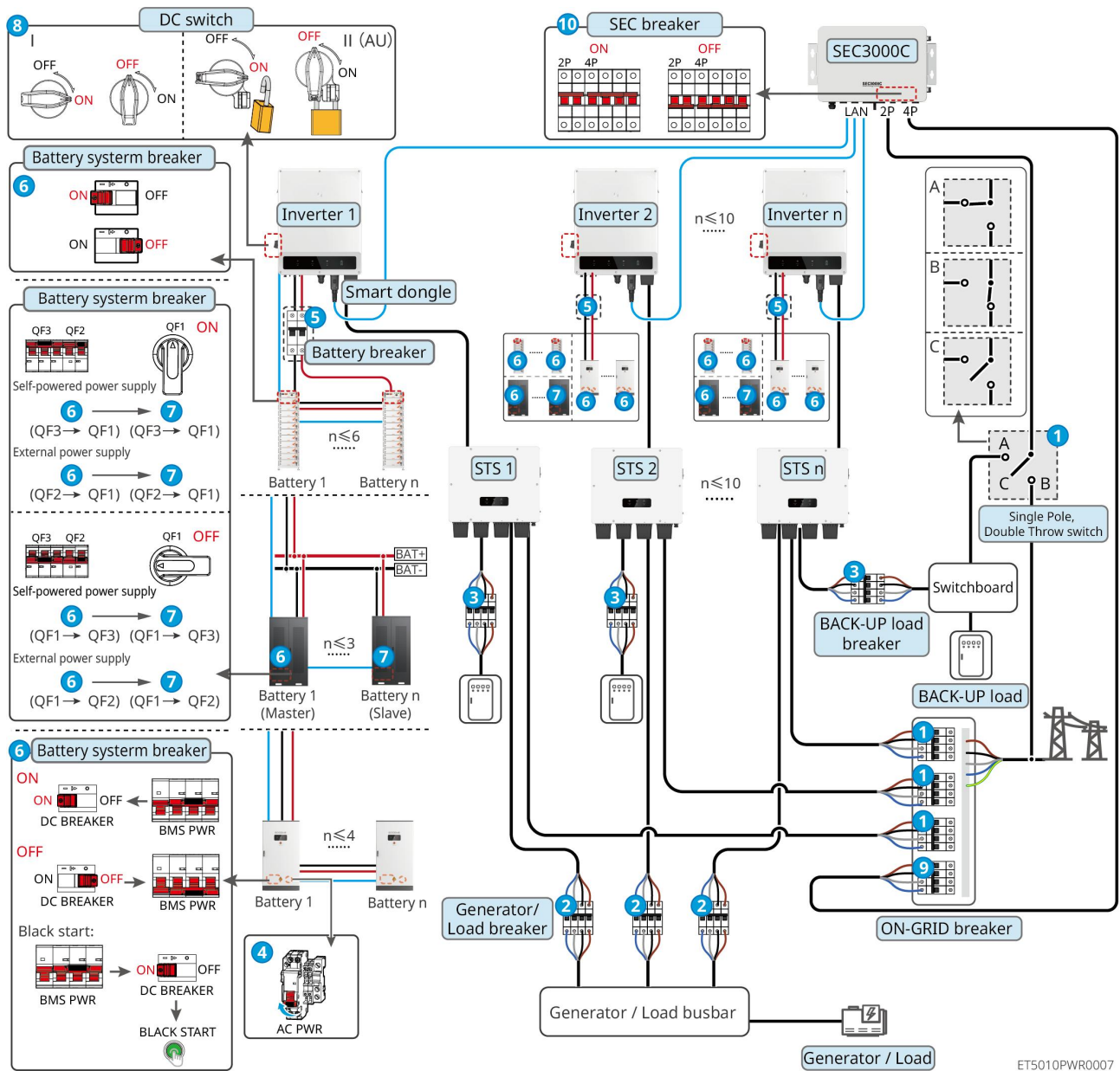
ET5010PWR0006

Power on the system: ① → ② → ③ → ④ → ⑤ → ⑥ → ⑦ → ⑧

③: Optional in compliance with local laws and regulations.

7.2.4 Multiple Inverters without Off-grid Parallel Function

ET+STS+ Battery+SEC3000C+WiFi/LAN Kit-20 (Number of Inverters In Parallel ≤ 10)



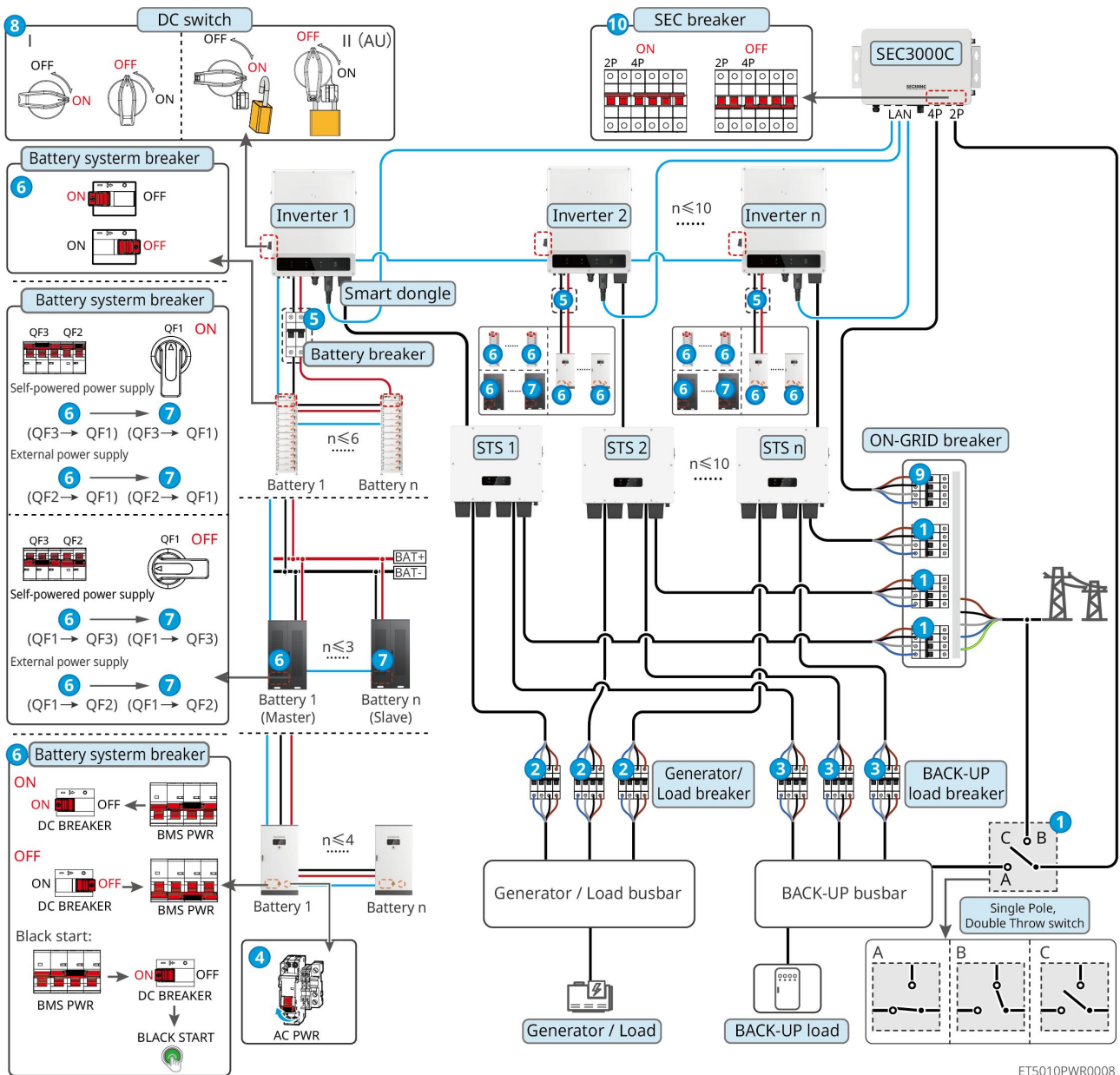
Power on the system: ① → ② → ③ → ④ → ⑤ → ⑥ → ⑦ → ⑧ → ⑨ → ⑩

⑤: Optional in compliance with local laws and regulations

①: Single-pole double-throw switch: State A when the energy storage system is powered on; State B when the energy storage system needs maintenance during power-off; State C when the SEC3000C is powered off for maintenance.

7.2.5 Multiple inverters with off-grid parallel function

ET+STS+ Battery+SEC3000C+WiFi/LAN Kit-20 (number of inverters in parallel ≤ 10)



ET5010PWR0008


















Power on the system: ① → ② → ③ → ④ → ⑤ → ⑥ → ⑦ → ⑧ → ⑨ → ⑩



⑤: Optional in compliance with local laws and regulations




①: Single-pole DC double-throw switch: State A when the energy storage system is powered on; State B when the energy storage system needs maintenance during power-off; State C when the SEC3000C is powered off for maintenance.

7.3 Indicators

7.3.1 Inverter Indicators











Indicator	Status	Description
		The inverter is power on and in the standby mode.
		The inverter is starting up and in the self-check mode.
		The inverter is in normal operation under grid-tied or off-grid mode.
		BACK-UP output overload.
		A fault has occurred.
		The inverter is powered off.
		The grid is abnormal, and the power supply to the BACK-UP port of the inverter is normal.
		The grid is normal, and the power supply to the BACK-UP port of the inverter is normal.
		The BACK-UP port has no power supply
		The monitoring module of the inverter is resetting.
		The inverter fails to connect with the communication Termination.
		Communication fault between the communication Termination and Server.
		The monitoring of the inverter operates well.
		The monitoring module of the inverter has not been started yet.

Indicator	Description
	$75\% < SOC \leq 100\%$
	$50\% < SOC \leq 75\%$

	25% < SOC ≤ 50%
	0% < SOC ≤ 25%
	No battery connected

Indicator light blinking during battery discharging: for example, when the battery SOC is between 25% and 50%, the light at the 50% position blinks.

7.3.2 STS Indicators

Indicator	Status	Description
BACK-UP		The energy storage system is in BACK-UP mode.
		The energy storage system is in ON-GRID mode.
		The energy storage system is in standby mode.
 COM		STS power supply is normal and communication with the inverter is normal.
		STS power supply is normal, but communication with the inverter has failed.
		STS power supply is abnormal, and communication with the inverter has failed.
 FAULT		A fault has occurred.
		No system fault.

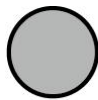
7.3.3 Battery Indicators

- **Lynx C Series 101-156kWh High Voltage Battery**

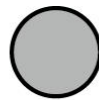


Button indicator	Battery system status
Steady green	The battery system is working properly.
Green light single flash	The battery system is in an idle state.
Green light double flashes	The battery system is in standby status.
Red light single flash	The battery system is mild alarming
Red light double flashes	The battery system is moderate alarming
Steady red	The battery system has malfunctioned.

- **BAT-S Series 25.6-56.3kWh High Voltage Battery**











RUN
















FAULT

BAT10DSC0003





Indicator	Status	Description
 Run		Green light on: The equipment is working properly.
		Green light flashes once: The battery is operating normally and not communicating with the inverter.
		Green light flashes twice: The device is in standby mode.
 Fault		Red light on: A fault has occurred.
		Red light flashes once: Indicates 3~4 levels system undervoltage.
		Red light flashes twice: Indicates SN abnormality.

● **BAT-C Series 92.1-112.6kWh C&I Battery System**

Indicator	Status	Description
 Run		Green light on: The equipment is working properly.
		Green light flashes once: The battery is operating normally and not communicating with the inverter.
		Green light flashes twice: The device is in standby mode.
		Green light off and yellow light on: A warning has occurred. Green light off and red light on: A fault has occurred. All green, yellow and red light are off: the system is power off.
 Warning		Yellow light on: A warning has occurred.
		Off: No fault.
 Fault		Red light on: A fault has occurred.
		Off: No fault .
		Red light flashes once: Indicates undervoltage.
		Red light flashes twice: Indicates SN abnormality.



7.3.4 Smart Meter Indicator

GM330










Type	Status	Description
Power 	Steady on	Power on, no RS485 communication.
	Blinks	Power on, RS485 communication works properly.
	Off	The smart meter is power off.
COM 	Off	Reserved
	Blinks	Press the Reset button for more than 5 seconds, power light, buying or selling electricity indicator light flash: Reset the meter.
Importing or exporting indicator 	ON	Importing from the grid.
	Blinks	Exporting to the grid.
	Off	No purchasing or selling.
	Reserved	

7.3.5 Smart Dongle Indicator

4G Kit-CN

Indicator	Color	Status	Description
Power light 	Green	On	Module is tightened and powered up
		Off	Module not tightened or powered up
Communication light 	Blue	Slow flash (0.2 on, 1.8s off)	<ul style="list-style-type: none"> ● Inverter communication light 2 flashes: dialing in, looking for network status ● Inverter communication light 4 flashes: no traffic causing connection to the cloud to fail
		Slow flash (1.8 on, 0.2s off)	<ul style="list-style-type: none"> ● Inverter communication light 2 flashes: dialing success ● Inverter communication light is always on: cloud connection is successful ● Inverter communication light 4 flashes: no traffic causing connection to the cloud to fail
		Fast flash (0.125s on, 0.125s off)	The inverter communicates with the cloud through the module
		0.2s on, 8s off	SIM card not installed or poor SIM card contact

4G Kit-CN-G21











Indicator	Status	Description
Power light 		On: The smart dongle has been powered on.
		Power Off: The smart dongle is not powered on.
Communication light 		On: The smart dongle is communicating normally with the server.
		Blinks 2 times: Smart dongle is not connected to the base station.
		Blinks 4 times: The smart dongle is connected to the base station, but has not been connected to the server.
		Blinks 6 times: The smart dongle is disconnected from the inverter.
		Off: The software of the smart dongle is resetting or is not powered on.

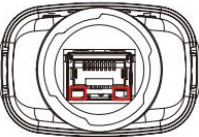
Button	Description
Reload	Short press for 0.5 to 3 seconds to restart the smart dongle.
	Press and hold for 6 to 20 seconds to restore the Smart Dongle to factory settings.

WiFi/LAN Kit-20

NOTICE

- After double press the Reload button to turn on Bluetooth, the communication indicator light will switch to single flash. Please connect to the SolarGo App within 5 minutes or Bluetooth will turn off automatically.
- The single flash status of the communication indicator only appears after double-press the Reload button to turn on Bluetooth.

Indicator	Status	Description
Power 		Steady on The smart dongle is powered on.
		Off: The smart dongle is powered off.
COM 		Steady on The WiFi or LAN communication is working well.
		Single blink The Bluetooth signal is on and waiting for connection to the app.
		Double blinks The Smart Dongle is not connected to the router.
		Four blinks The Smart Dongle is communicating with the router but not connected to the server.
		Six blinks The smart dongle is identifying the connected device.
		Off: The software of the Smart Dongle is in reset or not powered on.

Indicator	Color	Status	Description
Communication indicator in LAN Port 	Green	ON	The connection of the wired network at 100Mbps is normal.
		Off	<ul style="list-style-type: none"> ● The Ethernet cable is not connected. ● The connection of the wired network at 100Mbps is abnormal. ● The connection of the wired network at 10Mbps is normal.
	Yellow	ON	The connection of the wired network at

		10Mbps is normal, but no communication data is received or transmitted.
	Blinks	The communication data is being transmitted or received.
	Off	The Ethernet cable is not connected.

Button	Description
Reload	Press and hold for 0.5 to 3 seconds to reset the Smart Dongle.
	Press and hold for 6 to 20 seconds to restore the Smart Dongle to factory settings.
	Double press quickly to activate Bluetooth signal (only lasts for 5 minutes).

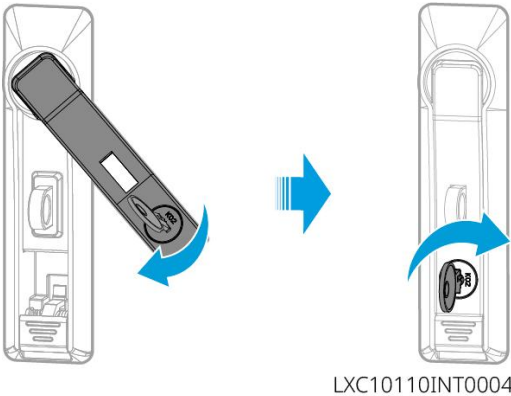
7.4 Closing the Cabinet Door



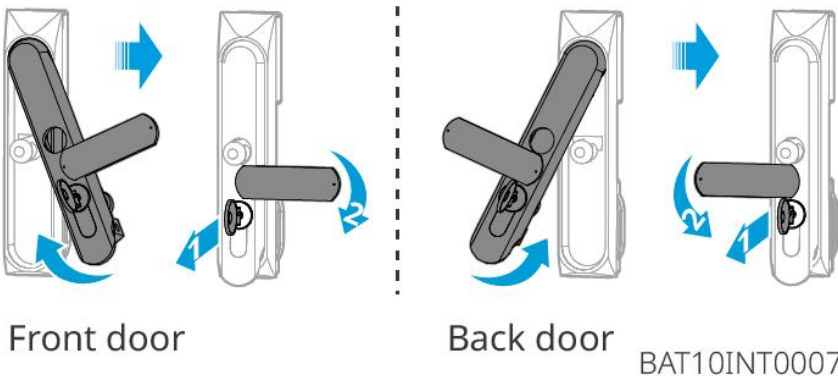
WARNING

After the system is powered on, please close the battery cabinet door.

- Lynx C Series 101-156kWh High Voltage Battery**



- BAT Series 92.1-112.6kWh C&I Battery System**



8 System Commissioning

NOTICE

- If the single energy storage system has been operated, it is required to ensure that the parameter settings of all energy storage systems are the same before forming a parallel system; Otherwise, the parallel system parameter setting may fail.
- When the energy storage system runs as parallel system with SEC3000, please refer to the relevant parameter settings in the [SEC3000C User Manual](#).

8.1 Device Parameter Configuration via SolarGo

SolarGo app is a mobile application that communicates with the inverter via Bluetooth module or inverter. Commonly used functions are as follows:

- Check the operating data, software version, alarms, etc.
- Set the grid parameters, communication parameters, safety regulation regions and anti-backflow of the inverter.
- Equipment maintenance.

For more details, refer to the SolarGo App User Manual. Get the user manual from the official site or by scanning the QR code below.



SolarGo App



SolarGo App User Manual

8.2 Device Commissioning via the SEC3000C Embedded Web Interface

SEC3000C Intelligent Energy Control Box is a dedicated device for the monitoring and management platform of photovoltaic power generation systems. It can be used to collect data from equipment in the photovoltaic power generation system (such as on-grid inverters, energy storage inverters, smart meters, etc.), store logs, and send data to the monitoring and management platform, realizing centralized monitoring, operation and maintenance of the photovoltaic system.

For more details, refer to the [SEC3000C User Manual](#).

9 Monitoring power plants via SEMS+

SEMS+ is a monitoring platform that can communicate with devices via WiFi/LAN/4G. Commonly used functions are as follows:

- Managing Organizations or user information.
- Adding and monitoring information of power station.
- Equipment maintenance.

For more details, refer to the [SEMS+ User Manual](#).

10 Maintenance

10.1 Power OFF the System

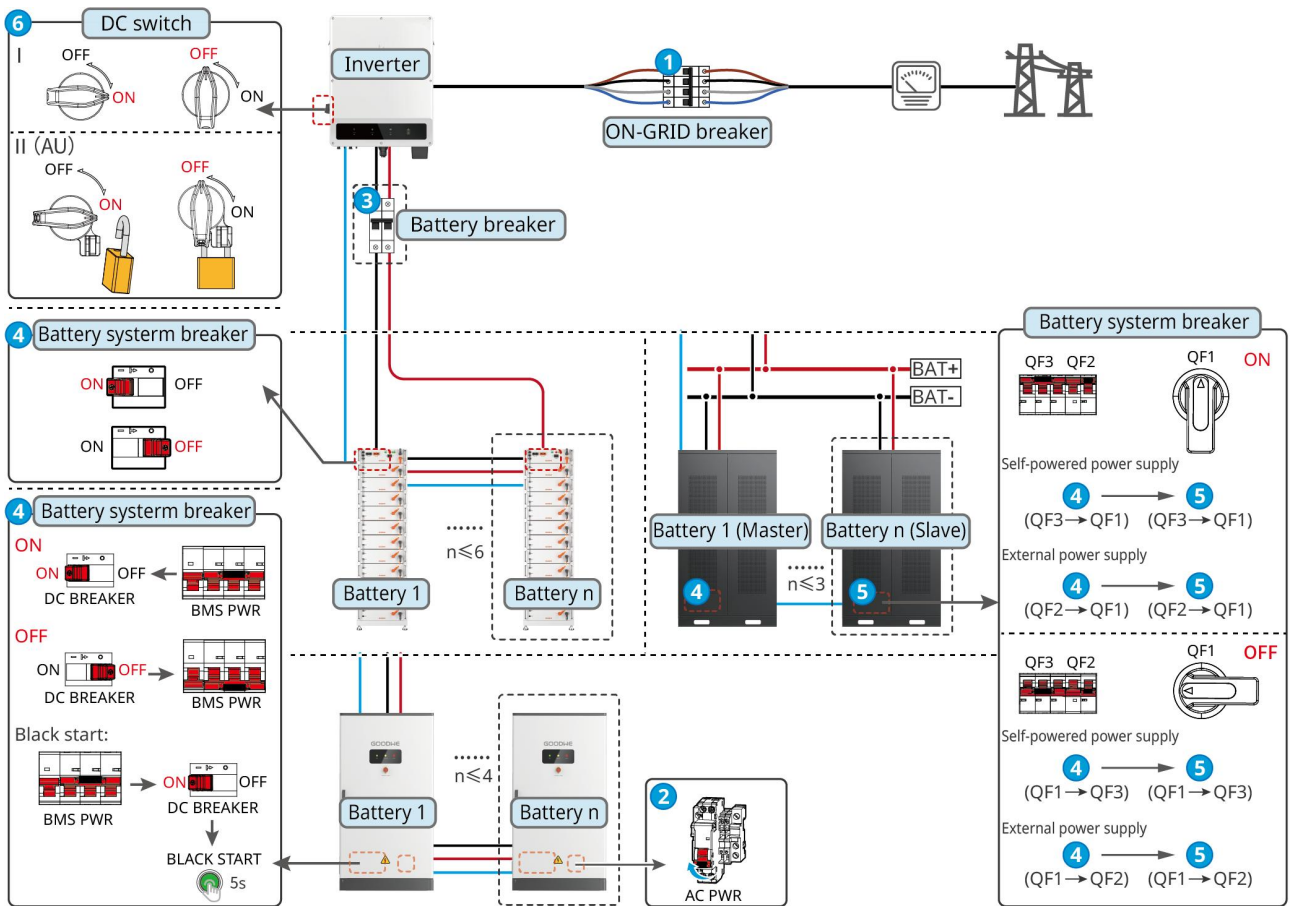


- Power off the equipment before operations and maintenance. Otherwise, the equipment may be damaged or electric shocks may occur.
- Delayed discharge. Wait until the components are discharged after power off.
- Strictly follow the power off requirements to avoid damaging the system

NOTICE

Install the circuit breaker between the inverter and the battery or between the two batteries in compliance with local laws and regulations.

10.1.1 Single Inverter without Off-grid Function

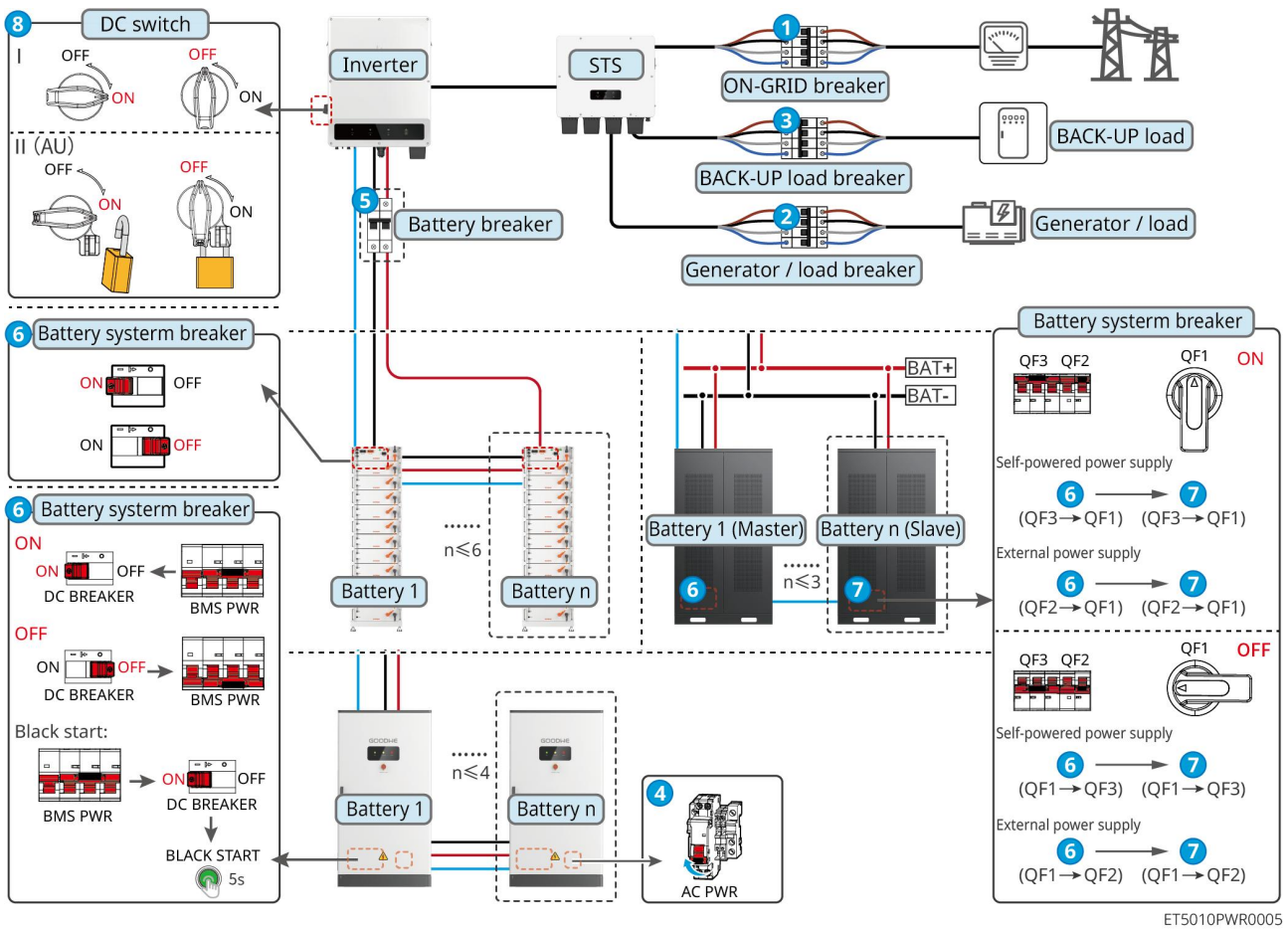


ET5010PWR0001

Power off the system: ① → ② → ③ → ④ → ⑤ → ⑥

3: Optional in compliance with local laws and regulations.

10.1.2 Single Inverter with Off-grid Function



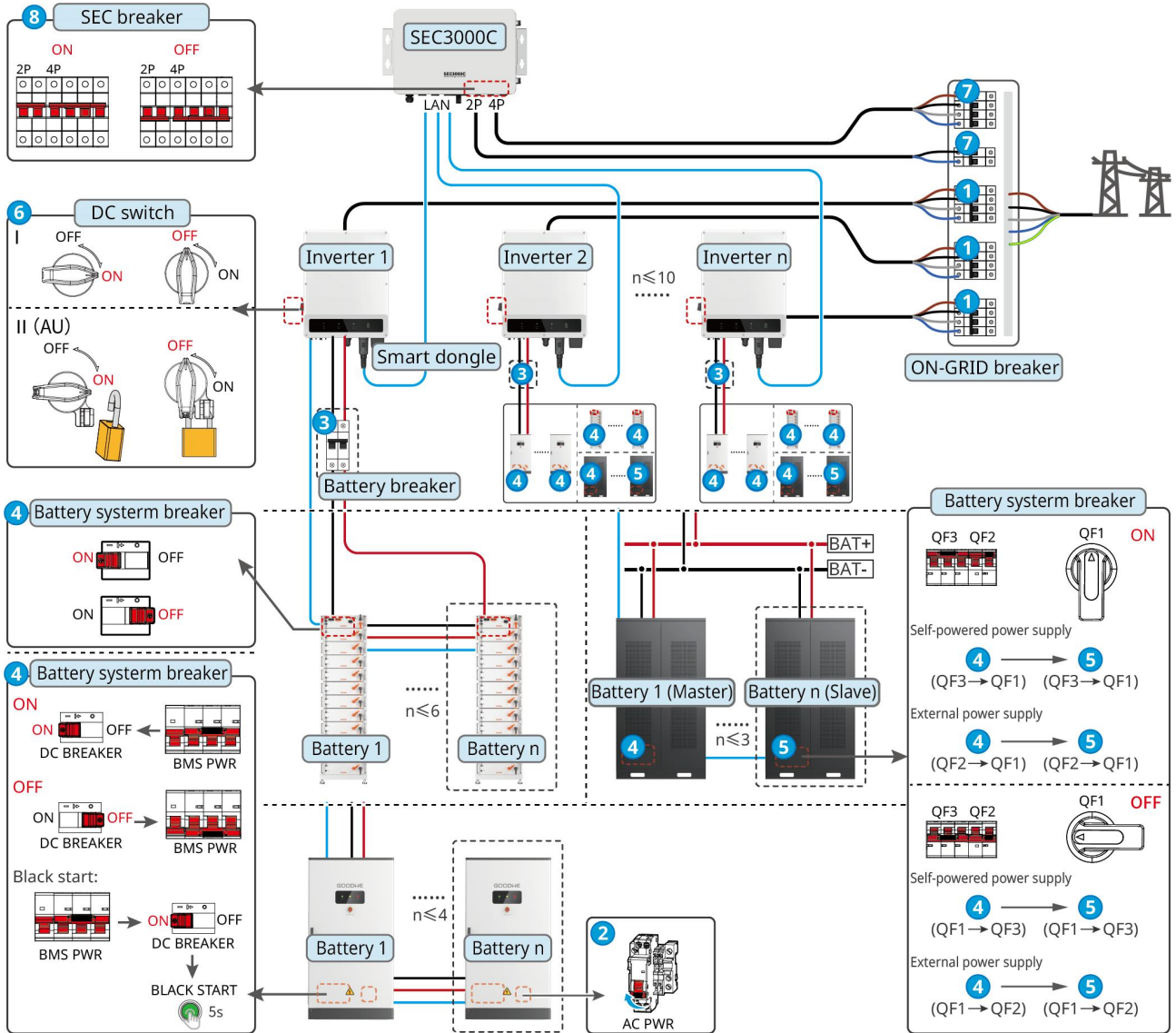
ET5010PWR0005

Power off the system: 1 → 2 → 3 → 4 → 5 → 6 → 7 → 8

5: Optional in compliance with local laws and regulations

10.1.3 Multiple Inverter without Off-grid Function

ET+Battery+SEC3000C+WiFi/LAN Kit-20 (Number of Inverters in Parallel ≤ 10)



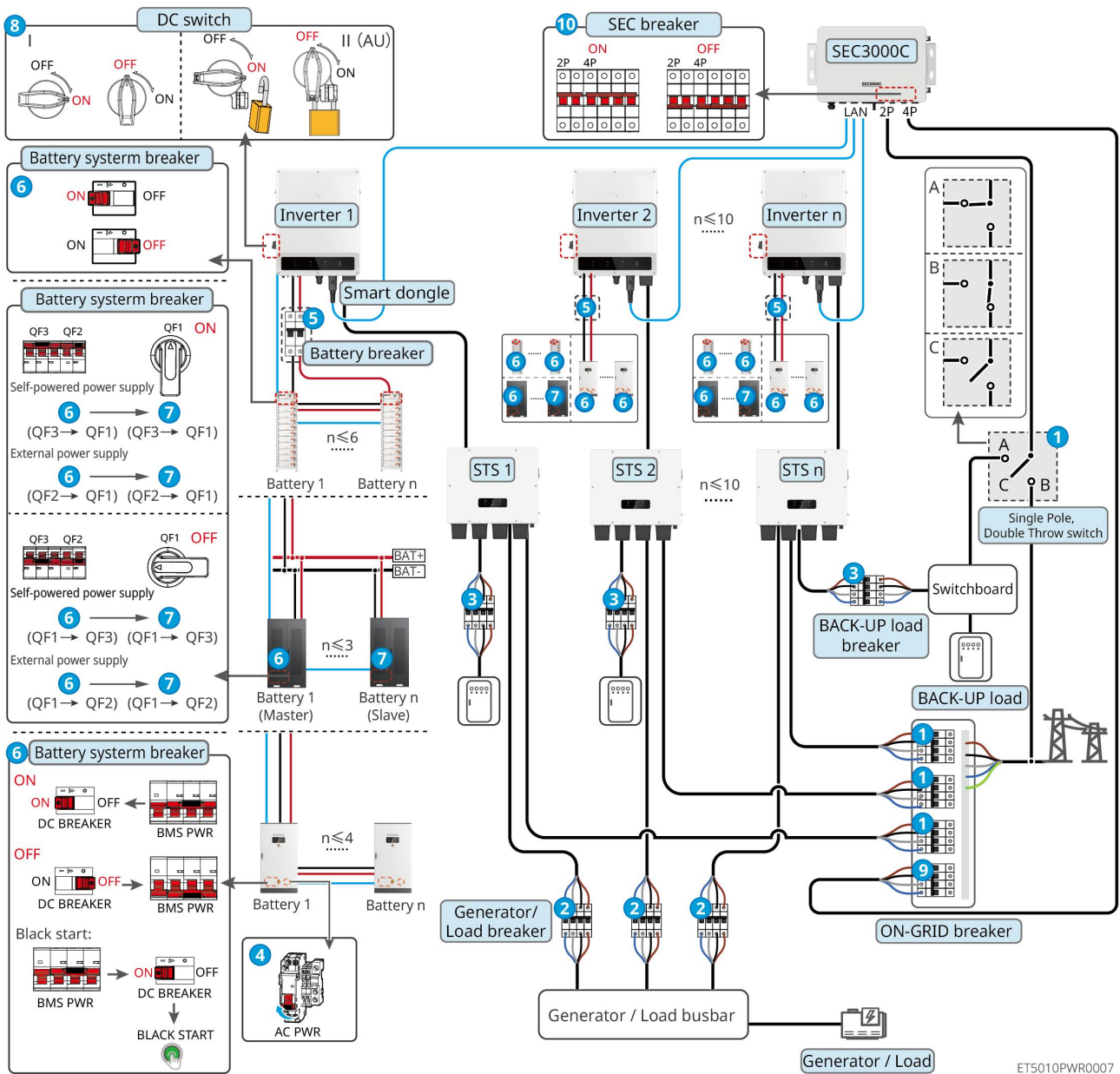
ET5010PWR0006

Power off the system: 1 → 2 → 3 → 4 → 5 → 6 → 7 → 8

3: Optional in compliance with local laws and regulations.

10.1.4 Multiple Inverters without Off-grid Parallel Function

ET+STS+ Battery+SEC3000C+WiFi/LAN Kit-20 (Number of Inverters In Parallel ≤ 10)



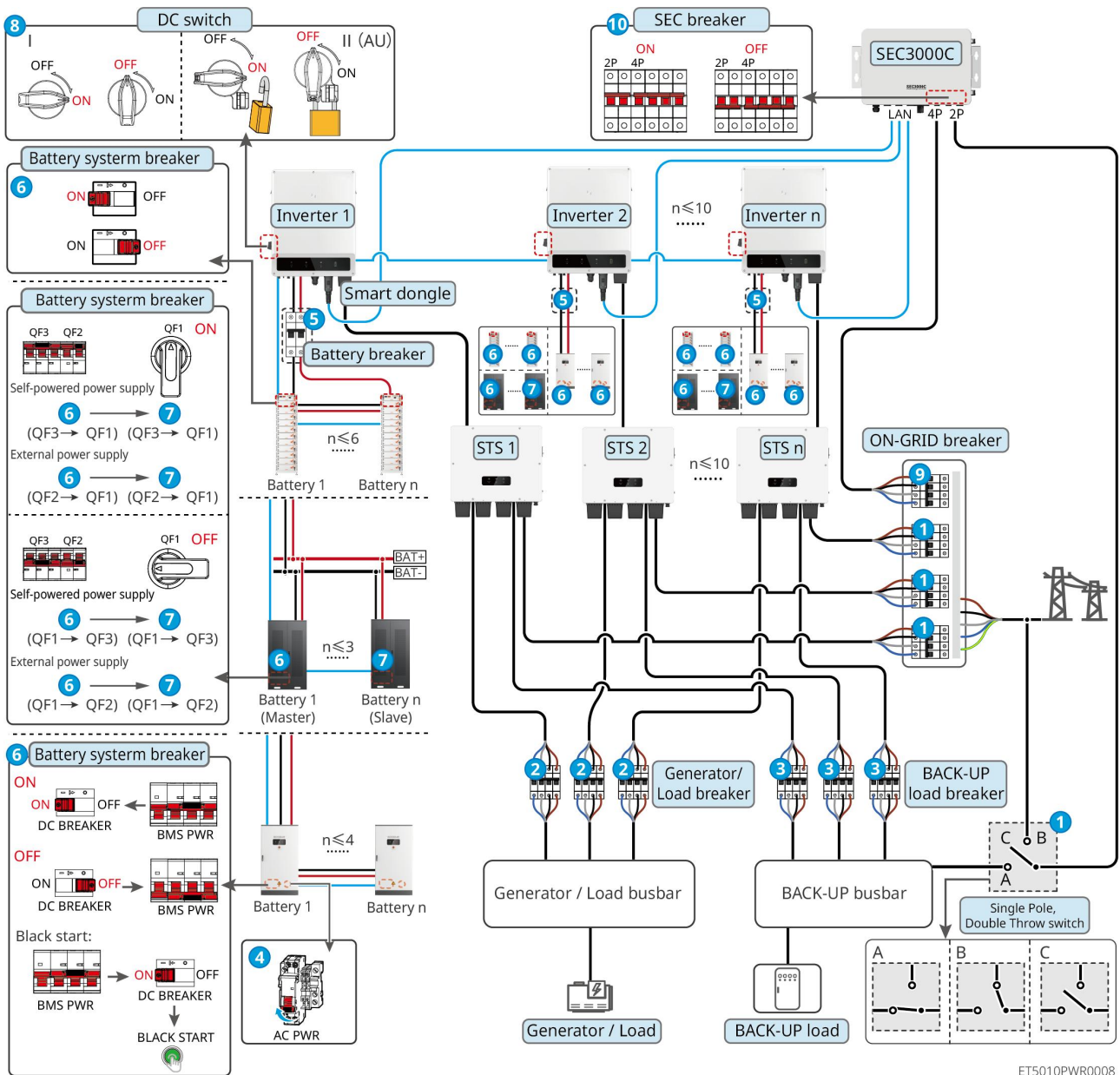
Power off the system: ① → ② → ③ → ④ → ⑤ → ⑥ → ⑦ → ⑧ → ⑨ → ⑩

⑤: Optional in compliance with local laws and regulations

①: Single-pole double-throw switch: State A when the energy storage system is powered on; State B when the energy storage system needs maintenance during power-off; State C when the SEC3000C is powered off for maintenance.

10.1.5 Multiple inverters with off-grid parallel function

ET+STS+ Battery+SEC3000C+WiFi/LAN Kit-20 (number of inverters in parallel ≤ 10)



Power off the system: ① → ② → ③ → ④ → ⑤ → ⑥ → ⑦ → ⑧ → ⑨ → ⑩

⑤: Optional in compliance with local laws and regulations

①: Single-pole DC double-throw switch: State A when the energy storage system is powered on; State B when the energy storage system needs maintenance during power-off; State C when the SEC3000C is powered off for maintenance.

10.2 Removing the Equipment



- Make sure that the equipment is powered off.
- Wear proper personal protective equipment during operations.
- Use the PV tool and battery tool included in the package to remove the PV connector and battery connector.

10.2.1 Remove the Inverter

Step 1: Power off the system.

Step 2: Tag different cable types in the system.

Step 3: Disconnect the electrical connections of the inverter, STS, battery, and BACK-UP load in the system.

Step 4: Remove the device from the mounting plate and dismantle the mounting plate.

Step 5: Remove the smart meter and smart dongle.

Step 6: Store the equipment properly. If the equipment needs to be used later, ensure that the storage conditions meet the requirements.

10.2.2 Remove the Lynx C Series 101-156kWh High Voltage Battery

Step 1: Power off the battery system.

Step 2: Remove all power cables and communication cables.

Step 3: Remove the cover plate and battery pack.

Step 4: Place the battery and all removed accessories back into their original packaging and store them securely.

10.2.3 Remove the BAT-S Series 25.6-56.3kWh High Voltage Battery

● Rack-mounted

Step 1: Power off the battery system.

Step 2: Remove the low-voltage communication cables.

Step 3: Remove the power cable.

Step 4: Remove the PCU and PACKs.

Step 5: Remove the lock wall brackets and adjustable feet/Unscrew the mounting screws at the bottom of the rack.

Step 6: Lay the rack flat and remove the screws fixing the columns and beams.

Step 7: Place the battery and all removed accessories back into their original packaging and store them securely.

● Stacked

Step 1: Power off the battery system.

Step 2: Remove the low-voltage communication cables.

Step 3: Remove the power cable.

Step 4: Remove the cable protection sleeve and equipotential connection tabs.

Step 5: Remove the wall-mounting brackets, then sequentially remove the PCU and PACKs.

Step 6: Remove the anti-tipping brackets and adjustable feet.

Step 7: Place the battery and all removed accessories back into their original packaging and store them securely.

10.2.4 Remove the BAT-C Series 92.1-112.6kWh C&I Battery System

Step 1: Power off the battery system.

Step 2: Remove the air conditioner drain pipe and base plate.

Step 3: Disconnect the communication cable between the battery system and the inverter, disconnect the parallel communication cables between battery systems. Remove the signal cable for the audible and visual alarm.

Step 4: Install protective covers for temperature detector and smoke detector.

Step 5: Disconnect the air conditioner power cable.

Step 6: Disconnect the power cables between the battery system and the inverter, and disconnect the battery system's parallel power cables.

Step 7: Disconnect the battery system PE cable.

Step 8: Close the cabinet door.

Step 9: Unscrew the bolts securing the battery system to the base.

Step 10: Move the battery system onto the pallet.

Step 11: Tighten the bottom screws to secure the battery system to the pallet, and install the bottom guard plate.

Step 12: Place the battery and all removed accessories back into their original packaging and store them securely.

10.3 Disposing of the Equipment

If the equipment cannot work anymore, dispose of it according to the local disposal requirements for electrical equipment waste. The equipment cannot be disposed of together with household waste.

10.4 Routine Maintenance



WARNING

- Please prepare safety protection equipment such as dust masks, insulating gloves, and goggles, as well as other safety protective equipment and relevant maintenance tools before maintenance.
- Contact after sales service for help if you find any problems that may influence the battery or the hybrid inverter. Disassemble without permission is strictly forbidden.
- Contact after sales service for help if the conductive wire is exposed. Do not touch or disassemble privately because the high voltage danger exists.
- In case of other emergencies, contact After Sales Service as soon as possible and follow their instructions. Or wait for them to help.
- For battery maintenance procedures, please refer to the corresponding maintenance manual.

Maintaining Item	Maintaining method	Maintaining Period	Maintaining purpose
System clean	<ol style="list-style-type: none"> 1. Check the heat sink, air intake, and air outlet for foreign matter or dust. 2. Check whether the installation space meets requirements and whether there is any debris around the device. 	Once half a year (If the equipment is installed in an area with heavy sand and dust, it is recommended to adjust the maintenance cycle to once a month.)	Prevent heat dissipation failures.
System installation	<ol style="list-style-type: none"> 1. Check whether the equipment are installed securely and whether the screws are installed tightly. 2. Check whether the equipment is damaged or deformed. 	Once 6-12 months	Ensure that the equipment is installed securely.
Electrical connection	Check whether the cables are securely connected. Check whether the cables are broken or whether there is any exposed copper core.	Once 6-12 months	Confirm the reliability of electrical connections.
Sealing	Check whether all the terminals and ports are properly sealed. Reseal the cable hole if it is not sealed or too big.	Once a year	Confirm that the machine seal and waterproof performance are intact.

Special Notes for Condenser Cleaning:

1. Power must be disconnected before operation;
2. Use 6–7 bar compressed air or a water gun to clean the condenser from the cabinet exterior;
3. Do not spray water directly at the fan;
4. Remove dust from the condensate pan after cleaning;
5. Do not use water inside the cabinet to avoid electric shock;
6. Rinse only the upper air outlet area. Do not spray water directly onto the intake fan; blow-dry residual moisture instead;
7. When cleaning and maintaining condensers and heat exchangers, do not use hot water or organic solvents such as gasoline.

10.5 Troubleshooting

Perform troubleshooting according to the following methods. Contact the after-sales service if these methods do not work.

Collect the information below before contacting the after-sales service, so that the problems can be solved quickly.

1. Product information like serial number, software version, installation date, fault time, fault frequency, etc.
2. Installation environment, including weather conditions, whether the PV modules are sheltered or shadowed, etc. It is recommended to provide some photos and videos to assist in analyzing the problem.
3. Utility grid situation.

10.5.1 System Communication Troubleshooting

No.	Fault	Solutions
1	Unable to find the smart dongle's wireless signal	<ol style="list-style-type: none"> 1. Ensure the smart dongle is powered normally, and the blue indicator light is blinking or steadily lit. 2. Ensure the smart device is within the communication range of the smart dongle. 3. Refresh the device list in the App again. 4. Restart the inverter.
2	Unable to connect to the smart dongle's wireless signal	<ol style="list-style-type: none"> 1. Ensure no other smart device is connected to the inverter's WiFi signal. 2. Restart the inverter and reconnect to the inverter's WiFi signal. 3. If connecting via Bluetooth signal, ensure the Bluetooth pairing is successful.
3	Unable to find the Router SSID	<ol style="list-style-type: none"> 1. Place the Router closer to the smart dongle, or add a WiFi repeater to enhance the WiFi signal. 2. Reduce the number of devices connected to the Router. 3. Confirm if the Router is a 2.4G Router.
4	After all configurations are complete, the smart dongle fails to connect to the Router	<ol style="list-style-type: none"> 1. Restart the inverter. 2. Check if the network name, encryption method, and password in the WiFi configuration are the same as those of the Router. 3. Restart the Router. 4. Place the Router closer to the smart dongle, or add a WiFi repeater to enhance the WiFi signal.
5	After all configurations are complete, the smart dongle fails to connect to the server	Restart the Router and the inverter.

No.	Fault	Solutions
6	Unable to find GSA-*** when using the 4G Kit-CN-G21 smart dongle	<ol style="list-style-type: none"> 1. Ensure the smart dongle on the inverter is powered normally, and the blue indicator light is blinking or steadily lit. 2. Ensure the smart device is within the communication range of the smart dongle. 3. Refresh the device list in the App again. 4. Restart the inverter.
7	Unable to connect to GSA-*** when using the 4G Kit-CN-G21 smart dongle	<ol style="list-style-type: none"> 1. Ensure the Bluetooth pairing is successful. 2. Restart the inverter and reconnect to GSA-***. 3. Cancel the pairing with GSA-*** in the phone's Bluetooth settings, then reconnect via the App.
8	When using the 4G Kit-CN-G21 smart dongle, the indicator light blinks six times	Ensure the smart dongle is properly connected to the inverter.
9	Inverter fails to recognize the 4G Kit-CN-G21 smart dongle	Restart the inverter.

10.5.2 Inverter Troubleshooting

Single inverter

No.	Fault	Cause	Solutions
1	Utility Loss	<ol style="list-style-type: none"> 1. Utility grid power fails. 2. The AC cable is disconnected, or the AC breaker is off. 	<ol style="list-style-type: none"> 1. The alarm is automatically cleared after the grid power supply is restored. 2. Check whether the AC cable is connected and the AC breaker is on.
2	Grid Overvoltage	The grid voltage exceeds the permissible range, or the duration of high voltage exceeds the requirement of HVRT.	<ol style="list-style-type: none"> 1. If the problem occurs occasionally, the utility grid may be abnormal temporarily. The inverter will recover automatically after detecting that the utility grid is normal. 2. If it occurs frequently, please check if the grid voltage is within the permissible range. <ul style="list-style-type: none"> ● Contact the local power company if the grid voltage exceeds the permissible range. ● Modify the overvoltage protection threshold, HVRT or disable the overvoltage protection function after obtaining the consent of the local power company if the grid

No.	Fault	Cause	Solutions
			<p>frequency is within the permissible range.</p> <p>3. Check whether the AC breaker and the output cables are connected securely and correctly if the problem persists.</p>
3	Grid Rapid Overvoltage	The grid voltage is abnormal or ultrahigh.	<p>1. If the problem occurs occasionally, the utility grid may be abnormal temporarily. The inverter will recover automatically after detecting that the utility grid is normal.</p> <p>2. If the problem occurs frequently, check whether the grid voltage is within the allowed range.</p> <ul style="list-style-type: none"> ● Contact the local power company if the grid voltage exceeds the permissible range. ● Modify the grid overvoltage rapid protection threshold after obtaining the consent of the local power company if the grid voltage is within the permissible range.
4	Grid Undervoltage	The grid voltage is lower than the permissible range, or the duration of low voltage exceeds the requirement of LVRT.	<p>1. If the problem occurs occasionally, the utility grid may be abnormal temporarily. The inverter will recover automatically after detecting that the utility grid is normal.</p> <p>2. If it occurs frequently, please check if the grid voltage is within the permissible range.</p> <ul style="list-style-type: none"> ● Contact the local power company if the grid voltage exceeds the permissible range. ● Modify the undervoltage protection threshold, LVRT or disable the undervoltage protection function after obtaining the consent of the local power company if the grid frequency is within the permissible range. <p>3. Check whether the AC breaker and the output cables are connected securely and correctly if the problem persists.</p>
5	Grid 10min Overvoltage	The moving average of grid voltage in 10min exceeds the range of safety requirements.	<p>1. If the problem occurs occasionally, the utility grid may be abnormal temporarily. The inverter will recover automatically after detecting that the utility grid is normal.</p>

No.	Fault	Cause	Solutions
			<p>2. If the problem occurs frequently, check whether the grid voltage is within the allowed range.</p> <ul style="list-style-type: none"> ● Contact the local power company if the grid voltage exceeds the permissible range. ● Modify the grid overvoltage rapid protection threshold after obtaining the consent of the local power company if the grid voltage is within the permissible range.
6	Grid Overfrequency	Utility grid exception. The actual grid frequency exceeds the requirement of the local grid standard.	<p>1. If the problem occurs occasionally, the utility grid may be abnormal temporarily. The inverter will recover automatically after detecting that the utility grid is normal.</p> <p>2. If the problem occurs frequently, check whether the grid frequency is within the permissible range.</p> <ul style="list-style-type: none"> ● Contact the local power company if the grid frequency exceeds the permissible range. ● Modify the overfrequency protection threshold or disable the overfrequency protection function after obtaining the consent of the local power company if the grid frequency is within the permissible range.
7	Grid Underfrequency	Utility grid exception. The actual grid frequency is lower than the requirement of the local grid standard.	<p>1. If the problem occurs occasionally, the utility grid may be abnormal temporarily. The inverter will recover automatically after detecting that the utility grid is normal.</p> <p>2. If the problem occurs frequently, check whether the grid frequency is within the permissible range.</p> <ul style="list-style-type: none"> ● Contact the local power company if the grid frequency exceeds the permissible range. ● Modify the underfrequency protection threshold or disable the underfrequency protection function after obtaining the consent of the local power company if the grid frequency is within the permissible range, or close Grid

No.	Fault	Cause	Solutions
			Underfrequency function.
8	Grid Frequency Instability	Utility grid exception. The actual grid frequency change rate does not meet the requirement of the local grid standard.	<ol style="list-style-type: none"> If the problem occurs occasionally, the utility grid may be abnormal temporarily. The inverter will recover automatically after detecting that the utility grid is normal. If the problem occurs frequently, check whether the grid frequency is within the permissible range. <ul style="list-style-type: none"> Contact the local power company if the grid frequency exceeds the permissible range. Contact the dealer or the after-sales service if the grid frequency is within the permissible range.
9	Anti-islanding	The utility grid is disconnected. The utility grid is disconnected according to the safety regulations, but the grid voltage is maintained due to the loads.	<ol style="list-style-type: none"> Check whether the utility grid is disconnected. Contact the dealer or the after-sales service.
10	LVRT Undervoltage	Utility grid exception. The duration of the utility grid exception exceeds the set time of LVRT.	<ol style="list-style-type: none"> If the problem occurs occasionally, the utility grid may be abnormal temporarily. The inverter will recover automatically after detecting that the utility grid is normal.
11	HVRT Overvoltage	Utility grid exception. The duration of utility grid exception exceeds the set time of HVRT.	<ol style="list-style-type: none"> If the problem occurs frequently, check whether the grid frequency is within the permissible range. If not, contact the local power company. If yes, contact the dealer or the after-sales service.
12	Abnormal GFCI 30mA	The input insulation impedance becomes low when the inverter is working.	<ol style="list-style-type: none"> If the problem occurs occasionally, it may be caused by a cable exception. The inverter will recover automatically after the problem is solved. Check whether the impedance between the PV string and PE is too low if the problem occurs frequently or persists.
13	Abnormal GFCI 60mA		
14	Abnormal GFCI 150mA		
15	Abnormal GFCI		
16	Large DC of AC current L1	The DC component of the output current exceeds	<ol style="list-style-type: none"> If the problem is caused by an external fault like a utility grid exception or

No.	Fault	Cause	Solutions
17	Large DC of AC current L2	the safety range or default range.	<p>frequency exception, the inverter will recover automatically after solving the problem.</p> <p>2. If the problem occurs frequently and the PV station cannot work properly, contact the dealer or the after-sales service.</p>
18	Low Insulation Res.	<p>The PV string is short-circuited to PE.</p> <p>The PV system is in a moist environment and the cable is not well insulated to the ground.</p>	<p>1. Check whether the resistance of the PV string to PE exceeds 50kΩ. If no, check the short circuit point.</p> <p>2. Check whether the PE cable is connected correctly.</p> <p>3. If it is confirmed that the insulation resistance is indeed lower than the default value in rainy weather, please reset the "Insulation Resistance Protection Point".</p> <p>Inverters for the Australian and New Zealand markets can also be alerted in the following ways in the event of insulation impedance failure:</p> <p>1. The inverter is equipped with the buzzer: the buzzer sounds continuously for 1 minute in case of failure; If the fault is not resolved, the buzzer sounds every 30 minutes.</p> <p>2. Add the inverter to the monitoring platform, and set the alarm reminder, the alarm information can be sent to the customer by emails.</p>
19	Abnormal system grounding	<p>1. The PE cable of the inverter is not connected.</p> <p>2. When the output of the photovoltaic string is grounded, the AC output cables L and N of the inverter are connected reversely.</p>	<p>1. Please confirm if the PE cable of the inverter is properly connected.</p> <p>2. If the output of the photovoltaic string is grounded, please confirm whether the AC output cables L and N of the inverter are reversely connected.</p>
20	Anti-Reverse power Failure	Abnormal fluctuation of load	<p>1. If the exception is caused by an external fault, the inverter will recover automatically after solving the problem.</p> <p>2. If the problem occurs frequently and the PV station cannot work properly, contact the dealer or the after-sales service.</p>

No.	Fault	Cause	Solutions
21	Internal Comm Loss	<ol style="list-style-type: none"> 1. Frame format error 2. Parity checking error 3. Can bus offline 4. Hardware CRC error 5. Send (receive) control bit is receive (send). 6. Transmit to the unit that is not allowed. 	Disconnect the AC output switch and DC input switch, then connect them 5 minutes later. Contact the dealer or the after-sales service if the problem persists.
22	AC HCT Check abnormal	The sampling of the AC HCT is abnormal.	Disconnect the AC output switch and DC input switch, then connect them 5 minutes later. Contact the dealer or the after-sales service if the problem persists.
23	GFCI HCT Check abnormal	The sampling of the GFCI HCT is abnormal.	Disconnect the AC output switch and DC input switch, then connect them 5 minutes later. Contact the dealer or the after-sales service if the problem persists.
24	Relay Check Fail	<ol style="list-style-type: none"> 1. Relay Dev Fail 2. The control circuit is abnormal. 3. The AC cable is connected improperly, like a virtual connection or short circuit. 	Disconnect the AC output switch and DC input switch, then connect them 5 minutes later. Contact the dealer or the after-sales service if the problem persists.
25	Flash Fault	The internal Flash storage is abnormal	Disconnect the AC output switch and DC input switch, then connect them 5 minutes later. Contact the dealer or the after-sales service if the problem persists.
26	DC Arc Fault	<ol style="list-style-type: none"> 1. The DC terminal is not firmly connected. 2. The DC cable is broken. 	Please check if the component connection cables are correctly connected according to the wiring requirements in the quick installation manual.
27	AFCI Self-test Fault	AFCI detection is abnormal.	Disconnect the AC output switch and DC input switch, then connect them 5 minutes later. Contact the dealer or the after-sales service if the problem persists.
28	Cavity Overtemperature	<ol style="list-style-type: none"> 1. The installation location of the inverter is not ventilated. 2. The ambient temperature is too high, exceeding 60°C. 3. Internal fan working abnormally 	<ol style="list-style-type: none"> 1. Check the ventilation and the ambient temperature at the installation point. 2. If the ventilation is poor or the ambient temperature is too high, improve the ventilation and heat dissipation. 3. Contact the dealer or after-sales service if both the ventilation and the ambient temperature are normal.

No.	Fault	Cause	Solutions
29	BUS Overvoltage	<ol style="list-style-type: none"> 1. The PV voltage is too high. 2. The sampling of the inverter BUS voltage is abnormal. 	Disconnect the AC output switch and DC input switch, then connect them 5 minutes later. Contact the dealer or the after-sales service if the problem persists.
30	PV Input Overvoltage	The PV array configuration is not correct. Too many PV panels are connected in series in the PV string.	Check the serial connection of the PV array. Make sure that the open circuit voltage of the PV string is not higher than the maximum operating voltage of the inverter.
31	PV Continuous Hardware Overcurrent	<ol style="list-style-type: none"> 1. The PV configuration is not proper. 2. The hardware is damaged. 	Disconnect the AC output switch and DC input switch, then connect them 5 minutes later. Contact the dealer or the after-sales service if the problem persists.
32	PV Continuous Software Overcurrent	<ol style="list-style-type: none"> 1. The PV configuration is not proper. 2. The hardware is damaged. 	Disconnect the AC output switch and DC input switch, then connect them 5 minutes later. Contact the dealer or the after-sales service if the problem persists.
33	String1 PV String Reversed	The PV strings are connected reversely.	Check whether the PV1 and PV2 strings are connected reversely.
34	String2 PV String Reversed		
35	String3 PV String Reversed		
36	String4 PV String Reversed		
37	Extern Comm Loss	<p>Communication between the inverter and external STS device fails:</p> <p>STS power supply abnormality</p> <p>The communication protocols of STS and inverter do not match.</p>	Check whether the STS is working properly.
38	Connect Box Failure	The on-grid and off-grid switch of STS takes too long.	Check whether the STS relay is faulty.
39	Internal Fan abnormal	<p>Internal fan abnormal, possible reason:</p> <ol style="list-style-type: none"> 1. The power supply to the fan is abnormal; 2. Mechanical failure (blocked rotation); 	Disconnect the AC output switch and DC input switch, then connect them 5 minutes later. Contact the dealer or the after-sales service if the problem persists.

No.	Fault	Cause	Solutions
		3. Fan aging damage.	
40	External fan abnormal	Possible cause of external fan abnormal: 1. The power supply to the fan is abnormal. 2. Mechanical failure (blocked rotation); 3. Fan aging damage.	

Multiple inverters in parallel

No.	Fault	Cause	Solutions
1	Abnormal parallel CAN communication	The connection of the parallel communication cable is abnormal, or there is an inverter offline in the parallel system.	1. Check that all inverters are powered on. 2. Check if the parallel communication cable of the inverter is securely connected. 3. Check if the parallel CAN communication DIP switch of the inverter is abnormal. 4. Check if the software and hardware versions of the device are consistent.
2	Reverse connection of power grid in parallel system	Reverse the line sequence for off grid parallel operation	Check if the line sequence of all inverters connected to the STS AC port is consistent when the inverters are off grid and parallel connected.

10.5.3 Battery Troubleshooting

● Lynx C Series 101-156kWh High Voltage Battery

No.	Fault	Cause	Solutions
1	Overvoltage charging 2	<ul style="list-style-type: none"> ● Single cell voltage/total voltage is too high ● Voltage sampling wire abnormal 	1. Power off and wait for 5 minutes, then restart to see if the fault persists; 2. Contact the after-sale service if the problem persists.
2	Overvoltage charging 3	<ul style="list-style-type: none"> ● Single cell voltage/total voltage is too high ● Voltage sampling wire abnormal 	1. Power off and wait for 5 minutes, then restart to see if the fault persists; 2. Contact the after-sale service if the problem persists.
3	Undervoltage discharging 3	<ul style="list-style-type: none"> ● Single cell voltage/total voltage is too low ● Voltage sampling wire abnormal 	1. Power off and wait for 5 minutes, then restart to see if the fault persists; 2. Determine the working condition of the inverter, whether the battery has not been charged due to working mode or

No.	Fault	Cause	Solutions
			<p>other issues, try charging the battery through the inverter, and observe whether the fault has been restored.</p> <p>3. Contact the after-sale service if the problem persists.</p>
4	Undervoltage discharging 2	<ul style="list-style-type: none"> ● Single cell voltage/total voltage is too low ● Voltage sampling wire abnormal 	<p>1. Power off and wait for 5 minutes, then restart to see if the fault persists;</p> <p>2. Determine the working condition of the inverter, whether the battery has not been charged due to working mode or other issues, try charging the battery through the inverter, and observe whether the fault has been restored.</p> <p>3. Contact the after-sale service if the problem persists.</p>
5	Single cell overvoltage 2	<ul style="list-style-type: none"> ● Single cell voltage/total voltage is too high ● Voltage sampling wire abnormal 	<p>1. Power off and wait for 5 minutes, then restart to see if the fault persists;</p> <p>Contact the after-sale service if the problem persists.</p>
6	Single cell undervoltage 2	Single cell undervoltage	<p>1. Power off and wait for 5 minutes, then restart to see if the fault persists;</p> <p>2. Determine the working condition of the inverter, whether the battery has not been charged due to working mode or other issues, try charging the battery through the inverter, and observe whether the fault has been restored.</p> <p>3. Contact the after-sale service if the problem persists.</p>
7	Single cell voltage difference exception 2	Voltage Difference Exception	<p>1. Restart the battery and wait for 12 hours.</p> <p>2. Contact the after-sale service if the problem persists.</p>
8	Overcurrent Charging 2	<ul style="list-style-type: none"> ● Excessive charging current, abnormal battery current limit: sudden changes in temperature and voltage values ● Inverter response abnormal 	<p>1. Power off and wait for 5 minutes, then restart to see if the fault persists;</p> <p>2. Check whether the set power of the inverter is too high, causing the rated operating current of the battery to be exceeded;</p>
9	Overcurrent Discharging 2	<ul style="list-style-type: none"> ● Excessive discharging current, abnormal battery current limit: sudden changes in temperature and SOC 	<p>3. Contact the after-sale service if the problem persists.</p>

No.	Fault	Cause	Solutions
		values ● Inverter response abnormal	
10	Cell high temperature 2	● Cell temperature is too high ● Abnormal temperature sensor	1. Power off and wait for 30 minutes, then restart to check if the fault persists; 2. Contact the after-sale service if the problem persists.
11	Cell Low Temperature 2	● Ambient temperature is too low ● Abnormal temperature sensor	1. Power off and wait for 30 minutes, then restart to check if the fault persists; 2. Contact the after-sale service if the problem persists.
12	Overtemperature Charging 2	● Cell temperature is too high ● Abnormal temperature sensor	1. Power off and wait for 30 minutes, then restart to check if the fault persists; 2. Contact the after-sale service if the problem persists.
13	Low Charging Temperature 2	● Ambient temperature is too low ● Abnormal temperature sensor	1. Power off and wait for 30 minutes, then restart to check if the fault persists; 2. Contact the after-sale service if the problem persists.
14	Overtemperature Discharging 2	● Cell temperature is too high ● Abnormal temperature sensor	1. Power off and wait for 30 minutes, then restart to check if the fault persists; 2. Contact the after-sale service if the problem persists.
15	Low Discharging Temperature 2	● Ambient temperature is too low ● Abnormal temperature sensor	1. Power off and wait for 30 minutes, then restart to check if the fault persists; 2. Contact the after-sale service if the problem persists.
16	Excessive Temperature Difference 2	Excessive temperature difference	1. Power off and wait for 30 minutes, then restart to check if the fault persists; 2. Contact the after-sale service if the problem persists.
17	Precharge Failure	Precharge MOS close failure	1. Power off and wait for 5 minutes, then restart to see if the fault persists; 2. Contact the after-sale service if the problem persists.
18	Battery Tripping	Battery air switch tripped	1. Wait for 10 minutes, and close the switch; 2. Contact the after-sale service if the problem persists.
19	Battery and inverter communication failure	Battery and inverter communication failure	1. Confirm whether the communication line sequence and DC line are correct, and whether the continuity is normal. 2. Restart the inverter and battery 3. Contact the after-sale service if the

No.	Fault	Cause	Solutions
			problem persists.
20	Specific faults	Specific battery faults	Contact the after-sales service.
21	Cluster Fault	Communication loss of slave cluster Failure of parallel connection	Check the reliability of the communication connection of the master and slave harnesses Please contact the after-sales service center.

● **BAT-S Series 25.6-56.3kWh High Voltage Battery**

No.	Fault	Cause	Solutions
1	Overvoltage charging 2	<ul style="list-style-type: none"> ● Single cell voltage/total voltage is too high ● Voltage sampling wire abnormal 	<ol style="list-style-type: none"> 1. Power off and wait for 5 minutes, then restart to see if the fault persists; 2. Contact the after-sale service if the problem persists.
2	Overvoltage charging 3	<ul style="list-style-type: none"> ● Single cell voltage/total voltage is too high ● Voltage sampling wire abnormal 	<ol style="list-style-type: none"> 1. Power off and wait for 5 minutes, then restart to see if the fault persists; 2. Contact the after-sale service if the problem persists.
3	Undervoltage discharging 3	<ul style="list-style-type: none"> ● Single cell voltage/total voltage is too low ● Voltage sampling wire abnormal 	<ol style="list-style-type: none"> 1. Power off and wait for 5 minutes, then restart to see if the fault persists; 2. Determine the working condition of the inverter, whether the battery has not been charged due to working mode or other issues, try charging the battery through the inverter, and observe whether the fault has been restored. 3. Contact the after-sale service if the problem persists.
4	Undervoltage discharging 2	<ul style="list-style-type: none"> ● Single cell voltage/total voltage is too low ● Voltage sampling wire abnormal 	<ol style="list-style-type: none"> 1. Power off and wait for 5 minutes, then restart to see if the fault persists; 2. Determine the working condition of the inverter, whether the battery has not been charged due to working mode or other issues, try charging the battery through the inverter, and observe whether the fault has been restored. 3. Contact the after-sale service if the problem persists.
5	Single cell overvoltage 2	<ul style="list-style-type: none"> ● Single cell voltage/total voltage is too high ● Voltage sampling 	<ol style="list-style-type: none"> 1. Power off and wait for 5 minutes, then restart to see if the fault persists; <p>Contact the after-sale service if the problem persists.</p>

No.	Fault	Cause	Solutions
		wire abnormal	
6	Single cell undervoltage 2	Single cell undervoltage	<ol style="list-style-type: none"> 1. Power off and wait for 5 minutes, then restart to see if the fault persists; 2. Determine the working condition of the inverter, whether the battery has not been charged due to working mode or other issues, try charging the battery through the inverter, and observe whether the fault has been restored. 3. Contact the after-sale service if the problem persists.
7	Single cell voltage difference exception 2	Voltage Difference Exception	<ol style="list-style-type: none"> 1. Restart the battery and wait for 12 hours. 2. Contact the after-sale service if the problem persists.
8	Overcurrent Charging 2	<ul style="list-style-type: none"> ● Excessive charging current, abnormal battery current limit: sudden changes in temperature and voltage values ● Inverter response abnormal 	<ol style="list-style-type: none"> 1. Power off and wait for 5 minutes, then restart to see if the fault persists; 2. Check whether the set power of the inverter is too high, causing the rated operating current of the battery to be exceeded; 3. Contact the after-sale service if the problem persists.
9	Overcurrent Discharging 2	<ul style="list-style-type: none"> ● Excessive discharging current, abnormal battery current limit: sudden changes in temperature and SOC values ● Inverter response abnormal 	
10	Cell high temperature 2	<ul style="list-style-type: none"> ● Cell temperature is too high ● Abnormal temperature sensor 	<ol style="list-style-type: none"> 1. Power off and wait for 30 minutes, then restart to check if the fault persists; 2. Contact the after-sale service if the problem persists.
11	Cell Low Temperature 2	<ul style="list-style-type: none"> ● Ambient temperature is too low ● Abnormal temperature sensor 	<ol style="list-style-type: none"> 1. Power off and wait for 30 minutes, then restart to check if the fault persists; 2. Contact the after-sale service if the problem persists.
12	Overtemperature Charging 2	<ul style="list-style-type: none"> ● Cell temperature is too high ● Abnormal temperature sensor 	<ol style="list-style-type: none"> 1. Power off and wait for 30 minutes, then restart to check if the fault persists; 2. Contact the after-sale service if the problem persists.

No.	Fault	Cause	Solutions
13	Low Charging Temperature 2	<ul style="list-style-type: none"> ● Ambient temperature is too low ● Abnormal temperature sensor 	<ol style="list-style-type: none"> 1. Power off and wait for 30 minutes, then restart to check if the fault persists; 2. Contact the after-sale service if the problem persists.
14	Overtemperature Discharging 2	<ul style="list-style-type: none"> ● Cell temperature is too high ● Abnormal temperature sensor 	<ol style="list-style-type: none"> 1. Power off and wait for 30 minutes, then restart to check if the fault persists; 2. Contact the after-sale service if the problem persists.
15	Low Discharging Temperature 2	<ul style="list-style-type: none"> ● Ambient temperature is too low ● Abnormal temperature sensor 	<ol style="list-style-type: none"> 1. Power off and wait for 30 minutes, then restart to check if the fault persists; 2. Contact the after-sale service if the problem persists.
16	Excessive Temperature Difference 2	Excessive temperature difference	<ol style="list-style-type: none"> 1. Power off and wait for 30 minutes, then restart to check if the fault persists; 2. Contact the after-sale service if the problem persists.
17	Precharge Failure	Precharge MOS close failure	<ol style="list-style-type: none"> 1. Power off and wait for 5 minutes, then restart to see if the fault persists; 2. Contact the after-sale service if the problem persists.
18	Battery Tripping	Battery air switch tripped	<ol style="list-style-type: none"> 1. Wait for 10 minutes, and close the switch; 2. Contact the after-sale service if the problem persists.
19	Battery and inverter communication failure	Battery and inverter communication failure	<ol style="list-style-type: none"> 1. Confirm whether the communication line sequence and DC line are correct, and whether the continuity is normal. 2. Restart the inverter and battery 3. Contact the after-sale service if the problem persists.
20	Specific faults	Specific battery faults	Contact the after-sales service.
21	Cluster Fault	Communication loss of slave cluster Failure of parallel connection	<p>Check the reliability of the communication connection of the master and slave harnesses.</p> <p>Please contact the after-sales service center.</p>
22	Software Fault	Software self-check failed	Please contact the after-sales service center.
23	Microelectronics Fault	Electronic component failure	Please contact the after-sales service center.
24	Parallel Cluster System Overload	Exceed the power cable carrying capacity	Stop charging. If it does not automatically recover, please contact a professional

No.	Fault	Cause	Solutions
			technician to restart the system.
25	SN Abnormal	Same SN exists	Please contact the after-sales service center.
26	Air Switch Abnormal	Molded case circuit breaker disconnected abnormally	Replace the Molded case circuit breaker

● **BAT-C Series 92.1-112.6kWh C&I Battery System**

No.	Fault	Cause	Solutions
1	Overvoltage charging 2	<ul style="list-style-type: none"> ● Single cell voltage/total voltage is too high ● Voltage sampling wire abnormal 	<ol style="list-style-type: none"> 3. Power off and wait for 5 minutes, then restart to see if the fault persists; 4. Contact the after-sale service if the problem persists.
2	Overvoltage charging 3	<ul style="list-style-type: none"> ● Single cell voltage/total voltage is too high ● Voltage sampling wire abnormal 	<ol style="list-style-type: none"> 3. Power off and wait for 5 minutes, then restart to see if the fault persists; 4. Contact the after-sale service if the problem persists.
3	Undervoltage discharging 3	<ul style="list-style-type: none"> ● Single cell voltage/total voltage is too low ● Voltage sampling wire abnormal 	<ol style="list-style-type: none"> 4. Power off and wait for 5 minutes, then restart to see if the fault persists; 5. Determine the working condition of the inverter, whether the battery has not been charged due to working mode or other issues, try charging the battery through the inverter, and observe whether the fault has been restored. 6. Contact the after-sale service if the problem persists.
4	Undervoltage discharging 2	<ul style="list-style-type: none"> ● Single cell voltage/total voltage is too low ● Voltage sampling wire abnormal 	<ol style="list-style-type: none"> 4. Power off and wait for 5 minutes, then restart to see if the fault persists; 5. Determine the working condition of the inverter, whether the battery has not been charged due to working mode or other issues, try charging the battery through the inverter, and observe whether the fault has been restored. 6. Contact the after-sale service if the problem persists.
5	Single cell overvoltage 2	<ul style="list-style-type: none"> ● Single cell voltage/total voltage 	<ol style="list-style-type: none"> 2. Power off and wait for 5 minutes, then restart to see if the fault persists;

No.	Fault	Cause	Solutions
		<ul style="list-style-type: none"> is too high ● Voltage sampling wire abnormal 	Contact the after-sale service if the problem persists.
6	Single cell undervoltage 2	Single cell undervoltage	<ol style="list-style-type: none"> 4. Power off and wait for 5 minutes, then restart to see if the fault persists; 5. Determine the working condition of the inverter, whether the battery has not been charged due to working mode or other issues, try charging the battery through the inverter, and observe whether the fault has been restored. 6. Contact the after-sale service if the problem persists.
7	Single cell voltage difference exception 2	Voltage Difference Exception	<ol style="list-style-type: none"> 3. Restart the battery and wait for 12 hours. 4. Contact the after-sale service if the problem persists.
8	Overcurrent Charging 2	<ul style="list-style-type: none"> ● Excessive charging current, abnormal battery current limit: sudden changes in temperature and voltage values ● Inverter response abnormal 	<ol style="list-style-type: none"> 4. Power off and wait for 5 minutes, then restart to see if the fault persists; 5. Check whether the set power of the inverter is too high, causing the rated operating current of the battery to be exceeded; 6. Contact the after-sale service if the problem persists.
9	Overcurrent Discharging 2	<ul style="list-style-type: none"> ● Excessive discharging current, abnormal battery current limit: sudden changes in temperature and SOC values ● Inverter response abnormal 	
10	Cell high temperature 2	<ul style="list-style-type: none"> ● Cell temperature is too high ● Abnormal temperature sensor 	<ol style="list-style-type: none"> 3. Power off and wait for 30 minutes, then restart to check if the fault persists; 4. Contact the after-sale service if the problem persists.
11	Cell Low Temperature 2	<ul style="list-style-type: none"> ● Ambient temperature is too low ● Abnormal temperature sensor 	<ol style="list-style-type: none"> 3. Power off and wait for 30 minutes, then restart to check if the fault persists; 4. Contact the after-sale service if the problem persists.
12	Overtemperature Charging 2	<ul style="list-style-type: none"> ● Cell temperature is too high ● Abnormal 	<ol style="list-style-type: none"> 3. Power off and wait for 30 minutes, then restart to check if the fault persists; 4. Contact the after-sale service if the

No.	Fault	Cause	Solutions
		temperature sensor	problem persists.
13	Low Charging Temperature 2	<ul style="list-style-type: none"> ● Ambient temperature is too low ● Abnormal temperature sensor 	<ol style="list-style-type: none"> 3. Power off and wait for 30 minutes, then restart to check if the fault persists; 4. Contact the after-sale service if the problem persists.
14	Overtemperature Discharging 2	<ul style="list-style-type: none"> ● Cell temperature is too high ● Abnormal temperature sensor 	<ol style="list-style-type: none"> 3. Power off and wait for 30 minutes, then restart to check if the fault persists; 4. Contact the after-sale service if the problem persists.
15	Low Discharging Temperature 2	<ul style="list-style-type: none"> ● Ambient temperature is too low ● Abnormal temperature sensor 	<ol style="list-style-type: none"> 3. Power off and wait for 30 minutes, then restart to check if the fault persists; 4. Contact the after-sale service if the problem persists.
16	Excessive Temperature Difference 2	Excessive temperature difference	<ol style="list-style-type: none"> 3. Power off and wait for 30 minutes, then restart to check if the fault persists; 4. Contact the after-sale service if the problem persists.
17	Precharge Failure	Precharge MOS close failure	<ol style="list-style-type: none"> 3. Power off and wait for 5 minutes, then restart to see if the fault persists; 4. Contact the after-sale service if the problem persists.
18	Battery Tripping	Battery air switch tripped	<ol style="list-style-type: none"> 3. Wait for 10 minutes, and close the switch; 4. Contact the after-sale service if the problem persists.
19	Battery and inverter communication failure	Battery and inverter communication failure	<ol style="list-style-type: none"> 4. Confirm whether the communication line sequence and DC line are correct, and whether the continuity is normal. 5. Restart the inverter and battery 6. Contact the after-sale service if the problem persists.
20	Specific faults	Specific battery faults	Contact the after-sales service.
21	Cluster Fault	Communication loss of slave cluster Failure of parallel connection	<p>Check the reliability of the communication connection of the master and slave harnesses.</p> <p>Please contact the after-sales service center.</p>
22	Software Fault	Software self-check failed	Please contact the after-sales service center.
23	Microelectronics Fault	Electronic component failure	Please contact the after-sales service center.

No.	Fault	Cause	Solutions
24	Parallel Cluster System Overload	Exceed the power cable carrying capacity	Stop charging. If it does not automatically recover, please contact a professional technician to restart the system.
25	SN Abnormal	Same SN exists	Please contact the after-sales service center.
26	Air Switch Abnormal	Molded case circuit breaker disconnected abnormally	Replace the Molded case circuit breaker.
27	Air Switch adhesion fault	Molded case circuit breaker fails or auxiliary air circuit breaker fails	Replace the Molded case circuit breaker or the auxiliary air circuit breaker.
28	Fire protection system triggering	Thermal runaway inside the system or consumer mis-triggering	Please contact the after-sales service center.
29	Air conditioning fault	Abnormality in the air conditioning system	Please contact the after-sales service center.
30	Power access control fault	The door is opened abnormally or the power access control sensor is damaged	Close the door or replace the power access control sensor
31	Emergency stop button triggering	Emergency stop is pressed or the emergency stop button is damaged	Replace the emergency stop button
32	Pack fan fault	The Pack fan is blocked or cannot work	Replace the corresponding Pack fan

11 Technical Data

11.1 Inverter Technical Data

Technical Data	GW25K-ET-10*7	GW30K-ET-10*7	GW40K-ET-10	GW50K-ET-10
Battery Input Data				
Battery Type	Li-Ion	Li-Ion	Li-Ion	Li-Ion
Nominal Battery Voltage (V)	500	500	500	500
Battery Voltage Range (V)	200~800	200~800	200~800	200~800
Start-up Voltage (V)	200	200	200	200
Number of Battery Input	1	1	1	1
Max. Continuous Charging Current (A)	100	100	100	100
Max. Continuous Discharging Current (A)	100	100	100	100
Max. Charge Power (W)	27500	33000	44000	55000
Max. Discharge Power (W)	27500	33000	44000	55000
PV String Input Data				
Max. Input Power (W)*1	50000	60000	60000	75000
Max. Input Voltage (V)*4	1000	1000	1000	1000
MPPT Operating Voltage Range (V)*5	165~850	165~850	165~850	165~850

Technical Data	GW25K-ET-10*7	GW30K-ET-10*7	GW40K-ET-10	GW50K-ET-10
MPPT Voltage Range at Nominal Power (V)	400~850	400~850	400~850	400~850
Start-up Voltage (V)	200	200	200	200
Nominal Input Voltage (V)	620	620	620	620
Max. Input Current per MPPT (A)	42/32/42	42/32/42	42/32/42	42/32/42/32
Max. Short Circuit Current per MPPT (A)	55/42/55	55/42/55	55/42/55	55/42/55/42
Max. Backfeed Current to The Array (A)	0	0	0	0
Number of MPP Trackers	3	3	3	4
Number of Strings per MPPT	2	2	2	2
AC Output Data (On-grid)				
Nominal Output Power (W)	25000	30000	40000	50000
Max. Output Power (W)	25000	30000	40000	50000
Nominal Apparent Power Output to Utility Grid (kVA)	25000	30000	40000	50000
Max. Apparent Power Output to Utility Grid (kVA)	25000	30000	40000	50000
Nominal Power at 40°C (kW)	25000	30000	40000	50000

Technical Data	GW25K-ET-10*7	GW30K-ET-10*7	GW40K-ET-10	GW50K-ET-10
Max. Power at 40°C (Including AC Overload) (kW)	25000	30000	40000	50000
Nominal Apparent Power from Utility Grid (kVA)	25000	30000	40000	50000
Max. Apparent Power from Utility Grid (kVA)	25000	30000	40000	50000
Nominal Output Voltage (V)	380/400, 3L/N/PE	380/400, 3L/N/PE	380/400, 3L/N/PE	380/400, 3L/N/PE
Output Voltage Range (V)*2	176~276	176~276	176~276	176~276
Nominal AC Grid Frequency (Hz)	50/60	50/60	50/60	50/60
AC Grid Frequency Range (Hz)	45-55/55-65	45-55/55-65	45-55/55-65	45-55/55-65
Max. AC Current Output to Utility Grid (A)	37.9 @380V 36.3 @400V	45.5 @380V 43.6 @400V	60.6 @380V 58.0 @400V	75.8 @380V 72.5 @400V
Max. AC Current From Utility Grid (A)	37.9 @380V 36.3 @400V	45.5 @380V 43.6 @400V	60.6 @380V 58.0 @400V	75.8 @380V 72.5 @400V
Nominal AC Current From Utility Grid (A)	37.9 @380V 36.3 @400V	45.5 @380V 43.6 @400V	60.6 @380V 58.0 @400V	75.8 @380V 72.5 @400V
Max. Output Fault Current (Peak and Duration) (A)	178 @2μs	178 @2μs	178@2μs	178@2μs
Inrush Current (Peak and Duration) (A)	178 @2μs	178 @2μs	178@2μs	178@2μs
Nominal Output	36.3 @380V	45.5 @380V	60.6 @380V	75.8 @380V

Technical Data	GW25K-ET-10*7	GW30K-ET-10*7	GW40K-ET-10	GW50K-ET-10
Current (A)	37.9 @400V	43.6 @400V	58.0 @400V	72.5 @400V
Power Factor	~1 (Adjustable from 0.8 leading to 0.8 lagging)			
Max. Total Harmonic Distortion	<3%	<3%	<3%	<3%
Maximum Output Overcurrent Protection (A)	156	156	156	156
AC Output Data (Back-up) *requires additional STS box				
Back-up Nominal Apparent Power (VA)	25000	30000	40000	50000
Max. Output Apparent Power (VA)	27500 (30000 at 60s, 37500 at 10s)	33000 (36000 at 60s, 45000 at 10s)	44000 (48000 at 60sec, 60000 at 10sec)	55000 (60000 at 60sec, 75000 at 10sec)
Nominal Output Current (A)	37.9 @380V 36.3 @400V	45.5 @380V 43.6 @400V	60.6 @380V 58.0 @400V	75.8 @380V 72.5 @400V
Max. Output Current (A)	41.7 @380V 39.8 @400V	50.0 @380V 47.8 @400V	66.7 @380V 63.8 @400V	83.3 @380V 79.7 @400V
Max. Output Fault Current (Peak and Duration) (A)	178@2μs	178@2μs	178@2μs	178@2μs
Inrush Current (Peak and Duration) (A)	178@2μs	178@2μs	178@2μs	178@2μs
Maximum Output Overcurrent Protection (A)	156	156	156	156
Nominal Output Voltage (V)	380/400, 3L/N/PE			

Technical Data	GW25K-ET-10*7	GW30K-ET-10*7	GW40K-ET-10	GW50K-ET-10
Nominal Output Frequency (Hz)	50/60	50/60	50/60	50/60
Output THDv (@Linear Load)	<3%	<3%	<3%	<3%
Efficiency				
Max. Efficiency	98.10%			
European Efficiency	97.50%			
Max. Battery to AC Efficiency	97.70%			
MPPT Efficiency	99.00%			
Protection				
Residual Current Monitoring	Integrated	Integrated	Integrated	Integrated
PV Reverse Polarity Protection	Integrated	Integrated	Integrated	Integrated
Battery Reverse Polarity Protection	Integrated	Integrated	Integrated	Integrated
Anti-islanding Protection	Integrated	Integrated	Integrated	Integrated
AC Overcurrent Protection	Integrated	Integrated	Integrated	Integrated
AC Short Circuit Protection	Integrated	Integrated	Integrated	Integrated
AC Overvoltage Protection	Integrated	Integrated	Integrated	Integrated
DC Switch	Integrated	Integrated	Integrated	Integrated
DC Surge Protection	Type II		Type II(Type I+II Optional)	
AC Surge Protection	Type II	Type II	Type II	Type II
AFCI	Optional	Optional	Optional	Optional

Technical Data	GW25K-ET-10*7	GW30K-ET-10*7	GW40K-ET-10	GW50K-ET-10
Remote Shutdown	Integrated	Integrated	Integrated	Integrated
General Data				
Operating Temperature Range (°C)	-35~+60	-35~+60	-35~+60	-35~+60
Operating Environment	Outdoor	Outdoor	Outdoor	Outdoor
Relative Humidity	0~95%	0~95%	0~95%	0~95%
Max. Operating Altitude (m)	4000	4000	4000	4000
Cooling Method	Smart Fan Cooling			
User Interface	LED, WLAN+APP			
Communication with BMS	CAN	CAN	CAN	CAN
Communication with Meter	RS485	RS485	RS485	RS485
Communication with Portal	RS485, WiFi+LAN+Bluetooth, 4G+Bluetooth (Optional)			
Weight (kg)	62	62	62	65
Dimension (W×H×D mm)	520×660×260			
Noise Emission (dB)	56	56	56	56
Topology	Non-isolated	Non-isolated	Non-isolated	Non-isolated
Self-consumption at Night (W)	<15	<15	<15	<15
Ingress Protection Rating	IP66	IP66	IP66	IP66
DC Connector	MC4 (4~6 mm ²)			
AC Connector	OT	OT	OT	OT

Technical Data	GW25K-ET-10 ^{*7}	GW30K-ET-10 ^{*7}	GW40K-ET-10	GW50K-ET-10
Environmental Category	4K4H	4K4H	4K4H	4K4H
Pollution Degree	PD 3 (External), PD 2 (Internal)			
Overvoltage Category	DC II / AC III	DC II / AC III	DC II / AC III	DC II / AC III
Protective Class	I	I	I	I
Storage Temperature (°C)	-40~+85	-40~+85	-40~+85	-40~+85
The Decisive Voltage Class (DVC)	Battery: C	Battery: C	Battery: C	Battery: C
	PV: C	PV: C	PV: C	PV: C
	AC: C	AC: C	AC: C	AC: C
	Com: A	Com: A	Com: A	Com: A
Mounting Method	Wall Mounted	Wall Mounted	Wall Mounted	Wall Mounted
Active Anti-islanding Method	AFDPF + AQDPF ^{*6}			
Type of Electrical Supply System	Three phase Grid			
Country of Manufacture	China	China	China	China
Certification ^{*3}				
Grid Standards	NRS097-2-1, VDE-AR-N 4105, PPDS 2021 Type A2, 50549-1, NBT32004			
Safety Regulation	IEC62109-1&2			
EMC	EN61000-6-1, EN61000-6-2, EN61000-6-3, EN61000-6-4			
<p>*1: For most of the PV module, the max. Input power can achieve 2*Pn. Such as the max. input power of GW50K-ET can achieve 100kW.</p> <p>*2: Output Voltage Range: phase voltage.</p> <p>*3: Not all certifications & standards listed, check the official website for details.</p> <p>*4: When the input voltage is greater than 980V, the inverter will enter standby mode, and when the voltage returns to below 970V the inverter will return to normal operation.</p>				

Technical Data	GW25K-ET-10 ^{*7}	GW30K-ET-10 ^{*7}	GW40K-ET-10	GW50K-ET-10
<p>*5: Please refer to the user manual for the MPPT Voltage Range at Nominal Power.</p> <p>*6: AFDPF: Active Frequency Drift with Positive Feedback, AQDPF: Active Q Drift with Positive Feedback.</p> <p>*7: Only available in SEA, MENA and other regions, please contact sales for more information.</p>				

11.2 STS Technical Data

Technical Data	STS200-80-10
Electrical Data	
Nominal Output Voltage (V)	380/400, 3L/N/PE
Output Voltage Range (V)	176~276
Nominal AC Frequency (Hz)	50/60
AC Frequency Range (Hz)	45~65
Inverter Side Data	
Nominal Apparent Power(VA)	50, 000
Max. Apparent Power (VA) ^{*1}	50, 000
Nominal Current (A) ^{*5}	72.5
Max. Current (A) ^{*2*6}	75.8
Grid Side Data	
Nominal Apparent Power (VA)	50, 000
Max. Apparent Power (VA) ^{*3}	50, 000
Nominal Current (A) ^{*5}	72.5
Max. Current (A) ^{*4*6}	75.8
Back-up Side Data	
Nominal Apparent Power (VA)	50, 000
Max. Apparent Power without Grid (VA)	55, 000
Max. Apparent Power with Grid (VA)	138000
Nominal Current (A) ^{*5}	72.5
Max. Current (A) ^{*4*7}	83.3
Generator/PV inverter Side Data	

Technical Data	STS200-80-10
Nominal Apparent Power (VA)	50, 000
Max. Apparent Power (VA)	55, 000
Nominal Current (A) ^{*5}	72.5
Max. Current (A) ^{*7}	83.3
Other Electrical Data	
Nominal Current of AC Side Relay (A)	200.0
Nominal Current of Generator Side Relay (A)	90.0
Switch Time(ms)	<10
General Data	
Operating Temperature Range (°F)	-35°C~+60°C
Max. Operating Altitude (m)	4000
Cooling Method	Natural Convection
Communication with Inverter	RS485
Weight (kg)	16.5
Dimension (W×H×D mm)	510*425*156
Noise Emission (dB)	<48
Topology	Non-isolated
Mounting Method	Wall Mounted
Ingress Protection Rating	IP65
Overvoltage Category	AC III
Protective Class	I
Certification	
Safety Regulation	IEC62109-1/-2
EMC	EN61000-6-1, EN61000-6-2, EN61000-6-3, EN61000-6-4
<p>*1: When the inverter is operating in the off-grid state, Max.Apparent Power of Inverter Side can be reached 55kW.</p> <p>*2: When the inverter is operating in the off-grid state, Max. Current of Inverter Side can be reached 83.3A.</p> <p>*3: Max. Input Power at grid port (purchased power) 138kW.</p> <p>*4: Max purchases current of gid side and back up side can be reached at 200A.</p> <p>*5: When Nominal Output Voltage is 380V, the Nominal Current is 75.8A.</p> <p>*6: When Nominal Output Voltage is 400V, the Max. Current is 72.5A.</p> <p>*7: When Nominal Output Voltage is 400V, the Max. Current is 79.7A.</p>	

11.3 Battery Technical Data

- **Lynx C Series 101-156kWh High Voltage Battery**

Technical Data		LX C 101-10	LX C120-10
Usable Energy (kWh) ^{*1}		101.38	119.81
Battery Module		LX C9.2-10: 38.4V 9.21kWh	LX C9.2-10: 38.4V 9.21kWh
Number of Modules		11	13
Cell Type		LFP (LiFePO4)	
Cell Configuration		132S2P	156S2P
Nominal Voltage Range (V)		422.4	499.2
Operating Temperature Range (V)		369.6~468.6	436.8~553.8
Nominal Dis-/Charge Current(A) ^{*2}		100	
Nominal Power(kW) ^{*2}		42.24	49.92
Short-Circuit Current		4.0kA 0.66ms@468.6V.dc	4.1kA 0.62ms@553.8V.dc
Operating Temperature Range (°C)		Charge: 0~+45: Discharge: -20~+50	
Relative Humidity		0~95%	
Max. Operating Altitude (m)		2000	
Communication		CAN+RS485	
Weight (Kg)		1120	1280
Dimensions (W×H×D mm)		1155×1650×730	
Ingress Protection Rating		IP21	
Storage Temperature (°C)		0~35 (< One Year) : -20~0 or +35~+45 (< Three Months)	
Mounting Method		Grounded	
Round-trip Efficiency ^{*1}		96.0%	
Cycle Life ^{*3}		4000	
Standard and	Safety	IEC62619, IEC62040, IEC63056	
	EMC	IEC/EN61000-6-1/2/3/4	

Technical Data		LX C 101-10	LX C120-10
Certification	Transportation	UN38.3	
<ol style="list-style-type: none"> 1. Test conditions, 100% DOD, 0.2C charge & discharge at +25±2 °C for battery system at beginning life. System Usable Energy may vary with different Inverter. 2. Nominal Charge/Discharge and power derating will occur related to Temperature and SOC. 3. Based on 2.5~3.65V voltage rang @25±2°C of Cell under 0.5C/0.5C test condition and 100%DOD 80% EOL. 			

Technical Data	LX C138-10	LX C156-10
Usable Energy (kWh)* ¹	138.24	156.67
Battery Module	LX C9.2-10: 38.4V 9.21kWh	LX C9.2-10: 38.4V 9.21kWh
Number of Modules	15	17
Cell Type	LFP (LiFePO ₄)	
Cell Configuration	180S2P	204S2P
Nominal Voltage Range (V)	576.0	652.8
Operating Temperature Range (V)	504.0~639.0	571.2~724.2
Nominal Dis-/Charge Current(A)* ²	100	
Nominal Power(kW)* ²	57.60	65.28
Short-Circuit Current	4.2kA 0.57ms@639V.dc	4.3kA 0.53ms@724.2V.dc
Operating Temperature Range (°C)	Charge: 0~+45: Discharge: -20~+50	
Relative Humidity	0~95%	
Max. Operating Altitude (m)	2000	
Communication	CAN+RS485	
Weight (Kg)	1480	1650
Dimensions (W×H×D mm)	1155×2065×730	
Ingress Protection	IP21	

Technical Data		LX C138-10	LX C156-10
Rating			
Storage Temperature (°C)		0~35 (< One Year) : -20~0 or +35~+45 (< Three Months)	
Mounting Method		Grounded	
Round-trip Efficiency*1		96.0%	
Cycle Life*3		4000	
Standard and Certification	Safety	IEC62619, IEC62040, IEC63056	
	EMC	IEC/EN61000-6-1/2/3/4	
	Transportation	UN38.3	
<ol style="list-style-type: none"> 1. Test conditions, 100% DOD, 0.2C charge & discharge at +25±2 °C for battery system at beginning life. System Usable Energy may vary with different Inverter. 2. Nominal Charge/Discharge and power derating will occur related to Temperature and SOC. 3. Based on 2.5~3.65V voltage rang @25±2°C of Cell under 0.5C/0.5C test condition and 100%DOD 80% EOL. 			

● **BAT-S Series 25.6-56.3kWh High Voltage Battery**

Technical Data	GW25.6-BAT-I-G10	GW30.7-BAT-I-G10	GW35.8-BAT-I-G10	GW40.9-BAT-I-G10	GW46.0-BAT-I-G10	GW51.2-BAT-I-G10	GW56.3-BAT-I-G10
Battery System							
Cell Type	LFP (LiFePO4)						
Capacity (Ah)	100						
Pack Type/model	GW 5.1-BAT-I-G10						
Pack Nominal Energy (kWh)	5.12						
Pack Configuration	1P80S	1P96S	1P112S	1P128S	1P144S	1P160S	1P176S
Pack Weight (kg)	42.5						
Number of Packs	5	6	7	8	9	10	11
Nominal Energy (kWh)	25.6	30.7	35.8	40.9	46.0	51.2	56.3
Usable Energy (kWh)*1	25	30	35	40	45	50	55

Technical Data	GW25.6-BAT-I-G10	GW30.7-BAT-I-G10	GW35.8-BAT-I-G10	GW40.9-BAT-I-G10	GW46.0-BAT-I-G10	GW51.2-BAT-I-G10	GW56.3-BAT-I-G10
Nominal Voltage (V)	256	307.2	358.4	409.6	460.8	512	563.2
Operating Voltage Range (V)	229.6~288.8	275.52~346.56	321.44~404.32	367.36~462.08	413.28~519.84	459.2~577.6	505.12~635.36
Charging Operating Temperature Range (°C)	0~+55						
Discharging Operating Temperature Range (°C)	-20~+55						
Max. Charge/Discharge Current (A) *2	100/110						
Max. Charge/Discharge Rate*2	1C/1.1C						
Max. Charge/Discharge power (kW) *2	25.6/28.1	30.7/33.7	35.8/19.3	40.9/44.9	46.0/50.6	51.2/56.3	56.3/61.9
Cycle Life	6000 (25±2°C, 0.5C, 90%DOD, 70%EOL)						
Depth of Discharge	100%						
Efficiency							
Round-trip Efficiency	96%@100%DOD, 0.2C, 25±2°C						
General Data							
Operating Temperature Range (°C)	0 ~ 40°C						
Storage Temperature (°C)	+35°C~+45°C (< 6 Months); -20°C~+35°C (< 1 Year)						
Relative Humidity	5 ~ 85%, No condensation						
Max. Operating Altitude (m)	3000						
Cooling Method	Natural Cooling						
User Interface	LED						
Communication	CAN (RS485 Optional)						
Weight-stacked (kg)	248	293	338	383	428	472	517

Technical Data	GW25.6-BAT-I-G10	GW30.7-BAT-I-G10	GW35.8-BAT-I-G10	GW40.9-BAT-I-G10	GW46.0-BAT-I-G10	GW51.2-BAT-I-G10	GW56.3-BAT-I-G10
Weight-rack mounted (kg)	272	312	367	415	455	495	540
Dimension-stacked (WxHxD mm)	481*925*552	481*1063*552	481*1201*552	481*1339*552	481*1477*552	481*1615*552	481*1753*552
Dimension-rack Mounted (WxHxD mm)	543*1815*520						
Ingress Protection Rating	IP20						
Fire safety equipment	Aerosol Optional, Pack Level						
Certification ^{*3}							
Safety Regulation	IEC62619/IEC60730-1/EN62477-1/IEC63056						
EMC	IEC/EN61000-6-1/2/3/4						
<ol style="list-style-type: none"> 1. Test conditions, 100% DOD, 0.2C charge & discharge at +25±2 °C for battery system at beginning life. System Usable Energy may vary with system configuration. 2. Actual Dis-/Charge Current and power derating will occur related to Cell Temperature and SOC. And, Max C-rate continuous time is affected by SOC, Cell Temperature, Atmosphere environment temperature . 3. Not all certifications & standards listed, check the official website for detail. 							

● BAT-C Series 92.1-112.6kWh C&I Battery System

Technical Data	GW92.1-BAT-AC-G10	GW102.4-BAT-AC-G10	GW112.6-BAT-AC-G10
Battery System			
Cell Type	LFP (LiFePO4)		
Cell Capacity (Ah)	100		
Rated Capacity (Ah)	200		
Pack Type/model	GW10.2-PACK-ACI-G10		
Pack Nominal Energy (kWh)	10.24		
Pack Configuration	2P144S	2P160S	2P176S
Pack Weight (kg)	< 90		
Number of Packs	9	10	11
Nominal Energy (kWh)	92.1	102.4	112.6

Technical Data	GW92.1-BAT-AC-G10	GW102.4-BAT-AC-G10	GW112.6-BAT-AC-G10
Usable Energy (kWh) *1	90	100	110
Nominal Voltage (V)	460.8	512	563.2
Operating Voltage Range (V)	413.28~519.84	459.2~577.6	505.12~635.36
Charging Operating Temperature Range (°C)	-20~+55		
Discharging Operating Temperature Range (°C)	-20~+55		
Max. Charge/ Discharge Current (A) *2	180/220		
Max. Charge/ Discharge Rate *2	0.9C/1.1C		
Max. Charge/ Discharge power (kW) *2	82.9/101.3	92.1/112.6	101.3/123.9
Cycle Life*3	≥6000 times until 70% SOH under 25±2°C.0.5C and 100% DOD		
Depth of Discharge	100%		
Efficiency			
Round-trip Efficiency*3	96%@100%DOD,0.2C,25±2°C		
General Data			
Operating Temperature Range (°C)	-20~55°C		
Storage Temperature (°C)	+35°C~+45°C (< 6 Months); -20°C~+35°C (< 1 Year)		
Relative Humidity	0 ~ 100% (Condensationless)		
Max. Operating Altitude (m)	4000		
Cooling Method	Air Conditioner		
User Interface	LED		
Communication	CAN (RS485 Optional)		
Weight (kg)	<1220	<1310	<1400
Dimension (W×H×Dmm)	1055*2000*1055		

Technical Data	GW92.1-BAT-AC-G10	GW102.4-BAT-AC-G10	GW112.6-BAT-AC-G10
Noise Emission (dB)	≤70		
Ingress Protection Rating	IP55		
Anti-corrosion Class	C4 (C5-M Optional)		
Fire safety equipment*4	Aerosol (Pack&Cabinet Level)		
Certification *5			
Safety Regulation	IEC62619/IEC63056/IEC60730/IEC62477/VDE2510/ISO13849 IEC62040/N140/EU 2023/1542/UN38.3		
EMC	IEC/EN61000-6-1/2/3/4		
<p>*1:Test conditions, 100% DOD, 0.2C charge & discharge at +25±2 °C for battery system at beginning life. System Usable Energy may vary with system configuration.</p> <p>*2: Actual Dis-/Charge Current and power derating will occur related to Cell Temperature and SOC. And, Max C-rate continuous time is affected by SOC, Cell Temperature, Atmosphere environment temperature .</p> <p>*3:For Australian DOD is 98%</p> <p>*4:Aerosol (Cabinet Level) before May 30th, Aerosol (Pack&Cabinet Level) after May 30th</p> <p>*5: Not all certifications & standards listed, check the official website for detail.</p>			

11.4 Smart Meter Technical Data

Technical parameters		GM330	
Input	Grid	Three-phase	
	Voltage	Nominal Voltage-Line to N (Vac)	220/230
		Nominal Voltage-Line to Line (Vac)	380/400
		Voltage Range	0.88Un-1.1Un
		Nominal AC Grid Frequency (Hz)	50/60
Current	Current Transformer Ratio	nA: 50A	
Communication		RS485	
Communication Distance (m)		1000	
User interface		4 LED, Reset button	
Accuracy	Voltage/Current	Class 0.5	
	Active Energy	Class 0.5	
	Reactive Energy	Class 1	
Power Consumption(W)		<5	
Mechanical	Dimensions (W×H×D mm)	72*85*72	
	Weight (g)	240	
	Mounting	Din rail	
Environment	Ingress Protection Rating	IP20	
	Operating Temperature Range (°C)	-30~70	
	Storage Temperature Range(°C)	-30~70	
	Relative Humidity (non-condensing)	0~95%	
	Max. Operating Altitude (m)	3000	

11.5 Smart Dongle Technical Data

Technical parameters		WiFi/LAN Kit-20
Input voltage (V)		5
Power Consumption (W)		≤3
Connection Interface		USB
Communication	Ethernet Interface	10M/100Mbps Self-adaption
	WLAN	IEEE 802.11 b/g/n @2.4 GHz

Technical parameters		WiFi/LAN Kit-20
	Bluetooth	Bluetooth V4.2 BR/EDR Bluetooth LE Specification
Mechanical Parameters	Dimensions (W×H×D mm)	48.3*159.5*32.1
	Weight (g)	82
	Ingress Protection Rating	IP65
	Installation	Plug and Play
Operating Temperature Range (°C)		-30 - 60
Storage Temperature Range (°C)		-40 - 70
Relative Humidity		0-95%
Max. Operating Altitude (m)		4000

Technical Parameters		4G Kit-G20
General Data		
Maximum number of supported inverters		1
Interface form		USB
Mounting Method		Plug-and-play
Indicator		LED indicator
Dimension (W×H×D mm)		48.3*138*32.3
SIM card size (mm)		15*12
Weight (g)		99
Ingress Protection Rating		IP66
Power Consumption (W)		<4
Ambient temperature (°C)		-30~+65
Storage Temperature (°C)		-40~+70
Relative Humidity		0-100%
Max. Working Altitude (m)		4000

Technical Parameters	4G Kit-G20
Wireless Parameters	
LTE-FDD	B1/2/3/4/5/7/8/12/13/18 /19/20/25/26/28/66
LTE-TDD	B34/38/39/40/41
WCDMA	B1/2/4/5/6/8/19
GSM/EDGE	B2/3/5/8
Bluetooth	5.0
Life (Year)	≥25

12 Appendix

12.1 FAQ

12.1.1 How to Perform Meter/CT Detection?

Meter/CT detection is used to auto-check if the Smart Meter and CT are connected in the right way and their working status.

Step 1 Tap **Home** > **Settings** > **Meter/CT Assisted Test** to set the function.

Step 2 Tap **Start Test** to start test. Check Test Result after test.

12.1.2 How to Upgrade Firmware Version

Check and upgrade the ARM version, BMS version, AFCI version of the inverter, or firmware version of the communication module. Some devices do not support upgrading the firmware version through SolarGo app.

Method I:

If the Firmware Upgrade dialog box pops up once logging into the app, click Firmware Upgrade to directly go to the firmware information page.

When there is a red dot prompt on the right side of the firmware information, click to view the firmware update information.

During the upgrade process, ensure that the network is stable and the device remains connected to SolarGo, otherwise the upgrade may fail.

Step 1 Tap **Home** > **Settings** > **Firmware Upgrade** to check the firmware version. If the Firmware Upgrade dialog box pops up once logging into the app, click Firmware Upgrade to directly go to the firmware information page.

Step 2 (Optional) Tap **Check for Update** to check whether there is a latest version to be updated.

Step 3 Tap **Firmware Upgrade** as prompted to enter the firmware upgrade page.

Step 4 (Optional) Tap **Learn More** to check the firmware related information, such as **Current**

Version, New Version, Update Record, etc.



Step 5 Tap **Upgrade** and follow the prompts to complete the upgrading.

Method II:

The automatic upgrade function is allowed only when a WiFi/LAN module is applied, and the module firmware version is V2.0.1 and above.

After enabling the auto-upgrade function, if there is any update and the device is connected to the network, the corresponding firmware version can be automatically upgraded.

Step 1 Tap **Home > Settings > Firmware Upgrade** to check the firmware version.

Step 2 Click  or  , to enable or disable the Automatic Upgrade based on actual needs.

Method III:

The inverter only supports software upgrade through USB flash drive in single inverter scenarios, and USB flash drive upgrade is prohibited in parallel system.

Before upgrading the device with a USB flash drive, please contact the after-sales service center to obtain the software upgrade package and upgrade method.

12.2 Acronyms and Abbreviations

Abbreviation	English Description
U_{batt}	Battery Voltage Range
$U_{batt, r}$	Nominal Battery Voltage
$I_{batt, max (C/D)}$	Max. Continuous Charging Current Max. Continuous Discharging Current
$E_{C, R}$	Rated Energy
U_{DCmax}	Max.Input Voltage
U_{MPP}	MPPT Operating Voltage Range
$I_{DC, max}$	Max. Input Current per MPPT
$I_{SC PV}$	Max. Short Circuit Current per MPPT
$P_{AC, r}$	Nominal Output Power
$S_r (to\ grid)$	Nominal Apparent Power Output to Utility Grid
$S_{max (to\ grid)}$	Max. Apparent Power Output to Utility Grid
$S_r (from\ grid)$	Nominal Apparent Power from Utility Grid
$S_{max (from\ grid)}$	Max. Apparent Power from Utility Grid
$U_{AC, r}$	Nominal Output Voltage
$f_{AC, r}$	Nominal AC Grid Frequency
$I_{AC, max(to\ grid)}$	Max. AC Current Output to Utility Grid
$I_{AC, max(from\ grid)}$	Max. AC Current From Utility Grid
P.F.	Power Factor
S_r	Back-up Nominal apparent power

S_{max}	Max. Output Apparent Power (VA) Max. Output Apparent Power without Grid
$I_{AC, max}$	Max. Output Current
$U_{AC, r}$	Nominal Output Voltage
$f_{AC, r}$	Nominal Output Frequency
$T_{operating}$	Operating Temperature Range
$I_{DC, max}$	Max. Input Current
U_{DC}	Input Voltage
$U_{DC, r}$	DC Power Supply
U_{AC}	Power Supply/AC Power Supply
$U_{AC, r}$	Power Supply/Input Voltage Range
$T_{operating}$	Operating Temperature Range
P_{max}	Max Output Power
P_{RF}	TX Power
P_D	Power Consumption
$P_{AC, r}$	Power Consumption
$F_{(Hz)}$	Frequency
$I_{SC PV}$	Max. Input Short Circuit Current
$U_{dcmin}-U_{dcmax}$	Range of input Operating Voltage
$U_{AC, rang(L-N)}$	Power Supply Input Voltage
$U_{sys, max}$	Max System Voltage
$H_{altitude, max}$	Max. Operating Altitude
PF	Power Factor
THDi	Total Harmonic Distortion of Current
THDv	Total Harmonic Distortion of Voltage
C&I	Commercial & Industrial
SEMS	Smart Energy Management System
MPPT	Maximum Power Point Tracking
PID	Potential-Induced Degradation
Voc	Open-Circuit Voltage
Anti PID	Anti-PID
PID Recovery	PID Recovery
PLC	Power-line Communication
Modbus TCP/IP	Modbus Transmission Control / Internet Protocol
Modbus RTU	Modbus Remote Terminal Unit
SCR	Short-Circuit Ratio
UPS	Uninterruptible Power Supply
TOU	Time of Use

ESS	Energy Storage System
PCS	Power Conversion System
SPD	Surge Protection Device
DRED	Demand Response Enabling Device
RCR	Ripple Control Receiver
AFCI	AFCI
GFCI	Ground Fault Circuit Interrupter
RCMU	Residual Current Monitoring Unit
FRT	Fault Ride Through
HVRT	High Voltage Ride Through
LVRT	Low Voltage Ride Through
EMS	Energy Management System
BMS	Battery Management System
BMU	Battery Measure Unit
BCU	Battery Control Unit
SOC	State of Charge
SOH	State of Health
SOE	State Of Energy
SOP	State Of Power
SOF	State Of Function
SOS	State Of Safety
DOD	Depth of discharge

12.3 Term Explanation

Overvoltage category definition

Category I: Applies to equipment connected to a circuit where measures have been taken to reduce transient overvoltage to a low level.

Category II: Applies to equipment not permanently connected to the installation. Examples are appliances, portables tools and other plug-connected equipment.

Category III: Applies to a fixed equipment downstream, including the main distribution board. Examples are switchgear and other equipment in an industrial installation.

Category IV: Applies to equipment permanently connected at the origin of an installation (upstream of the main distribution board). Examples are electricity meters, primary over-current protection equipment and other equipment connected directly to outdoor open lines.

Moisture location category definition

Parameters	Level
------------	-------

	3K3	4K2	4K4H
Moisture Parameters	0~+40°C	-33~+40°C	-33~+40°C
Temperature Range	5% - 85%	15% - 100%	4% - 100%

Environment category definition

Outdoor: Ambient Temperature: -25~+60°C, applied to Pollution Degree 3 environment.

Indoor Unconditioned: Ambient Temperature: -25~+40°C, applied to Pollution Degree 3 environment.

Indoor conditioned: Ambient Temperature: 0~+40°C, applied to Pollution Degree 2 environment.

Outdoor: Ambient Temperature: 0~+40°C, applied to Pollution Degree 2 environment.

Pollution degree definition

Pollution Degree I: No pollution or only dry, non-conductive pollution occurs. The pollution has no influence.

Pollution Degree II: Normally only non-conductive pollution occurs. Occasionally, however, a temporary conductivity caused by condensation must be expected.

Pollution Degree III: Conductive pollution occurs, or dry, non-conductive pollution occurs, which becomes conductive due to condensation, which is expected.

Pollution Degree IV: Persistent conductive pollution occurs, for example, the pollution caused by conductive dust, rain or snow.

12.4 Meaning of Battery SN Code

*****2388*****

2388
11-14位

Bits 11-14 of the product SN code are the production time code.

The above picture has a production date of 2023-08-08.

- The 11th and 12th digits are the last two digits of the year of production, e.g., 2023 is represented by 23;
- The 13th digit is the month of production, e.g. August is denoted by 8;

The details are as follows:

Month	January~September	October	November	December
Month Code	1~9	A	B	C

- The 14th digit is the date of manufacture, e.g., 8th indicated by 8;

Priority is given to the use of numbers, e.g. 1~9 for days 1~9, A for day 10 and so on. The letters I and O are not used to avoid confusion. The details are as follows:

Production Date	1 st	2 nd	3 rd	4 th	5 th	6 th	7 th	8 th	9 th
Code	1	2	3	4	5	6	7	8	9

Production Date	10 th	11 th	12 th	13 th	14 th	15 th	16 th	17 th	18 th	19 th	20 th
Code	A	B	C	D	E	F	G	H	J	K	L

Production Date	21 st	22 nd	23 rd	24 th	25 th	26 th	27 th	28 th	29 th	30 th	31 st
Code	M	N	P	Q	R	S	T	U	V	W	X

NOTICE

If installed in an environment below 0°C, the battery will not be able to continue charging to restore energy after being discharged, resulting in undervoltage protection.


- Lynx home F, Lynx home F Plus+, Lynx home F G2: charging temperature range: $0 < T < 50^{\circ}\text{C}$; discharging temperature range: $-20 < T < 50^{\circ}\text{C}$.
- Lynx home D: Charging temperature range: $0 < T < 53^{\circ}\text{C}$; Discharge temperature range: $-20 < T < 53^{\circ}\text{C}$.

Contact Details

GoodWe Technologies Co., Ltd.

 No. 90 Zijin Rd., New District, Suzhou, 215011, China

 en.goodwe.com

 service@goodwe.com



Local Contacts