



# **LUNA2000 + Smart Power Sensor Communication Cable Connections with SUN2000 Inverters and Commissioning**



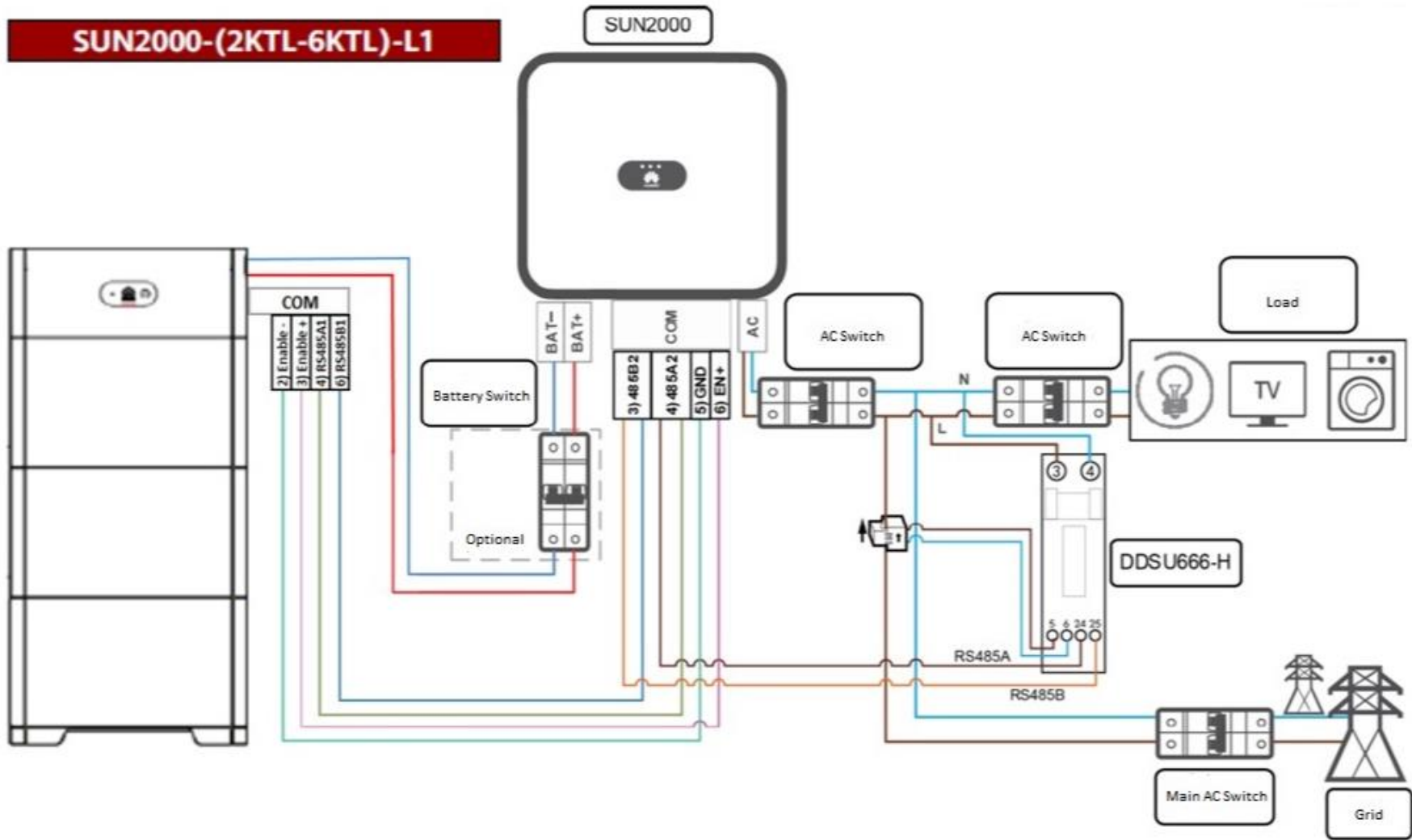
**Huawei Technologies Co. Ltd.**

<b>Version</b>	<b>Created by</b>	<b>Date</b>	<b>Remarks</b>
<b>03</b>	<b>Huawei mxw535853</b>	<b>20.05.2021</b>	<b>Initial version created</b>

The information in this document may contain predictive statements including, without limitation, statements regarding the future financial and operating results, future product portfolio, new technology, etc. There are a number of factors that could cause actual results and developments to differ materially from those expressed or implied in the predictive statements. Therefore, such information is provided for reference purpose only and constitutes neither an offer nor an acceptance. Huawei may change the information at any time without notice.

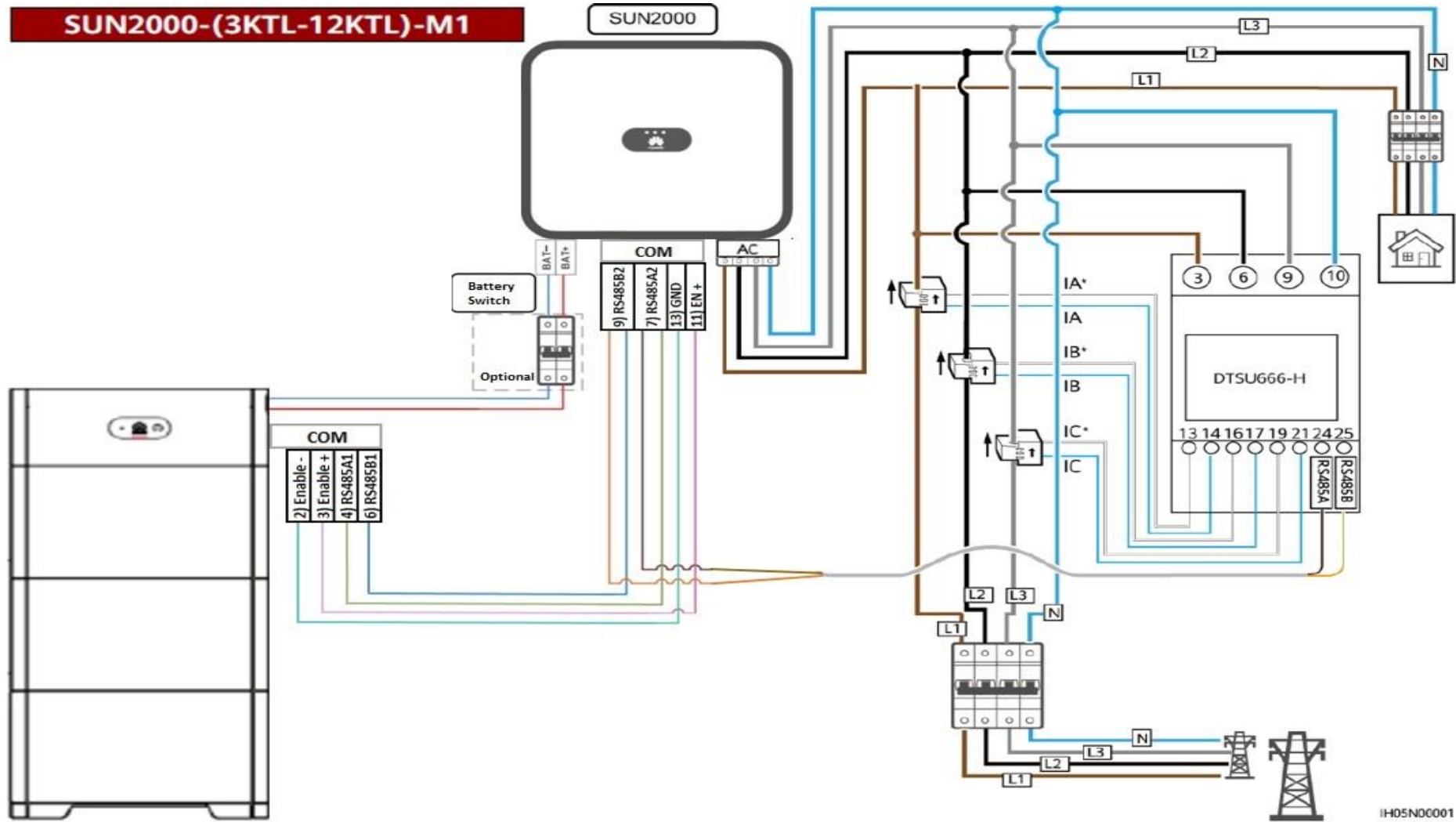


# LUNA2000 + Smart Power Sensor Communication Cables Connections with SUN2000 – (2 – 6KTL) – L1 Inverters





# LUNA2000 + Smart Power Sensor Communication Cables Connections with SUN2000 – (3 – 12KTL) – M1 Inverters





# LUNA2000 + Smart Power Sensor + SUN2000 – (3 – 12KTL) – M1 Inverters Commissioning

## Quick settings – Commissioning

The battery is detected automatically.  
Check COM cables if not.

The commissioning process is shown in five steps:

- Grid code:** Shows 'Ireland-EN50549-LV'.
- Device detection:** Shows detected devices: SDongleA (SDongle 4G), Power meter (HUAWEI-DDSU666 -H(Single-phase)), Battery (HUAWEI-LUNA2000 15 kWh), and Optimizer (SUN2000-450W-P (10 pcs)).
- Battery control:** Shows 'Working mode settings' with 'Maximum self-consumption' selected.
- Management system:** Shows 'Monitor the PV plant through the management system' (checked), 'Dongle' (unchecked), and 'Setting management system parameters' (Domain name: eu5.fusionsolar.huawei.com, Port: 27250).
- Summary:** Shows completion status: 'Connect to mgmt sys' (Success), 'Inverter SUN2000-4KTL-L1' (Grid connected - power limited), and 'Optimizer SUN2000-450W-P' (Searching completed).

**Enable Monitor the PV plant through the management system.  
Set the Domain name to eu5.fusionsolar.huawei.com and Port number to 27250.**