



Installation Guide / Installationsanleitung / Instrucciones de  
instalación / Instructions d'installation / Istruzioni per  
l'installazione

## **SUNNY TRIPOWER STORAGE 60**





# ENGLISH - Table of Contents

<b>1</b>	<b>Introduction</b>	<b>17</b>
1.1	System overview	18
1.2	Purpose of This Manual	18
1.3	Unpacking	20
1.4	Inverter type label	20
1.5	Installation Sequence	20
<b>2</b>	<b>Installation</b>	<b>22</b>
2.1	Environment and Clearances	22
2.2	Mounting of the wall mounting bracket	23
2.3	Mounting the Inverter	24
2.4	Disassembling the Inverter	25
2.5	Access to the Installation Area	25
2.6	AC Grid Connection	25
2.7	Cable Entry	27
2.8	Ethernet Connections	28
2.9	DC connection	28
2.10	Closing	29
<b>3</b>	<b>Initial Setup and Start</b>	<b>30</b>
3.1	User interface	30
3.1.1	Operating modes	30
3.2	Display	31
3.2.1	Initial Setup via LCS Tool	31
3.2.2	Switching on the DC Load-Break Switch	32
3.2.3	Commissioning	32
3.2.4	Grid Code File	32
3.2.5	Configuring the Fallback	32
<b>4</b>	<b>Service</b>	<b>33</b>
4.1	Troubleshooting and Repair	33
4.2	Maintenance	39

<b>5</b>	<b>Technical Data</b>	<b>40</b>
5.1	Specifications	40
5.2	Compliance	41
5.3	Installation Conditions	42
5.4	Torque Specifications	43
5.5	Specifications for Grid Protection	44
5.6	Technical Data of the Communication Interface	44
5.7	Ethernet Connections	45
5.7.1	Network Topology	45
<b>6</b>	<b>Contact</b>	<b>46</b>

# DEUTSCH - Inhaltsverzeichnis

<b>1</b>	<b>Einführung</b> .....	<b>51</b>
1.1	Systemübersicht .....	52
1.2	Zweck der Anleitung .....	52
1.3	Auspacken .....	54
1.4	Typenschild des Wechselrichters .....	54
1.5	Installationsreihenfolge .....	54
<b>2</b>	<b>Installation</b> .....	<b>56</b>
2.1	Umgebung und Abstände .....	56
2.2	Montage der Wandhalterung .....	57
2.3	Montage des Wechselrichters .....	58
2.4	Abbau des Wechselrichters .....	59
2.5	Zugang zum Installationsbereich .....	59
2.6	AC-Netzanschluss .....	60
2.7	Kabeleinführung .....	62
2.8	Ethernet-Anschlüsse .....	62
2.9	DC-Anschluss .....	63
2.10	Schließen .....	64
<b>3</b>	<b>Ersteinrichtung und Start</b> .....	<b>64</b>
3.1	Benutzerschnittstelle .....	64
3.1.1	Betriebsarten .....	64
3.2	Display .....	65
3.2.1	Ersteinrichtung über LCS-Tool .....	66
3.2.2	DC-Lasttrennschalter einschalten .....	66
3.2.3	Inbetriebnahme .....	67
3.2.4	Grid-Code-Datei .....	67
3.2.5	Fallback konfigurieren .....	67
<b>4</b>	<b>Service</b> .....	<b>68</b>
4.1	Fehlersuche und -behebung .....	68
4.2	Wartung .....	75

<b>5</b>	<b>Technische Daten</b>	<b>76</b>
5.1	Spezifikationen	76
5.2	Konformität	77
5.3	Installationsbedingungen	78
5.4	Drehmomentspezifikationen	79
5.5	Spezifikation für die Netzsicherungen	80
5.6	Technische Daten der Kommunikationsschnittstellen	80
5.7	Ethernet-Anschlüsse	81
	5.7.1 Netzwerktopologie	81
<b>6</b>	<b>Kontakt</b>	<b>82</b>

# ESPAÑOL - Índice

<b>1</b>	<b>Introducción</b>	<b>87</b>
1.1	Vista general del sistema	88
1.2	Fin de las instrucciones	88
1.3	Desembalaje	90
1.4	Placa de características del inversor	90
1.5	Orden de instalación	90
<b>2</b>	<b>Instalación</b>	<b>92</b>
2.1	Entorno y espacios libres	92
2.2	Montaje del soporte mural	93
2.3	Montaje del inversor	94
2.4	Desmontaje del inversor	95
2.5	Acceso al área de instalación	95
2.6	Conexión de red de CA	96
2.7	Aberturas en la carcasa	98
2.8	Conexiones de ethernet	98
2.9	Conexión de CC	99
2.10	Cerrar	100
<b>3</b>	<b>Configuración inicial y arranque</b>	<b>100</b>
3.1	Interfaz de usuario	100
3.1.1	Modos de funcionamiento	101
3.2	Pantalla	101
3.2.1	Ajuste inicial mediante LCS-Tool	102
3.2.2	Conecte el interruptor-seccionador de carga de CC	103
3.2.3	Puesta en marcha	103
3.2.4	Archivo del código de red	103
3.2.5	Configuración del procedimiento de emergencia	103
<b>4</b>	<b>Mantenimiento</b>	<b>104</b>
4.1	Resolución de problemas	104
4.2	Mantenimiento	112

<b>5</b>	<b>Datos técnicos</b>	<b>113</b>
5.1	Especificaciones	113
5.2	Conformidad	114
5.3	Condiciones de la instalación	115
5.4	Especificaciones del par de apriete	116
5.5	Especificaciones del circuito de la red eléctrica	117
5.6	Especificaciones de las interfaces de comunicación	117
5.7	Conexiones de ethernet	118
5.7.1	Topología de red	118
<b>6</b>	<b>Contacto</b>	<b>119</b>



# FRANÇAIS - Table des matières

<b>1</b>	<b>Introduction</b> .....	<b>124</b>
1.1	Vue d'ensemble du système .....	125
1.2	Objet des ces instructions .....	125
1.3	Déballage .....	127
1.4	Plaque signalétique de l'onduleur .....	127
1.5	Ordre d'installation .....	127
<b>2</b>	<b>Installation</b> .....	<b>129</b>
2.1	Environnement et distances .....	129
2.2	Montage du support mural .....	130
2.3	Montage de l'onduleur .....	131
2.4	Démontage de l'onduleur .....	132
2.5	Accès à la zone d'installation .....	132
2.6	Raccordement au réseau AC .....	133
2.7	Insertion de câbles .....	135
2.8	Raccordements Ethernet .....	135
2.9	Raccordement DC .....	136
2.10	Fermeture .....	137
<b>3</b>	<b>Configuration initiale et démarrage</b> .....	<b>137</b>
3.1	Interface utilisateur .....	137
3.1.1	Modes de fonctionnement .....	137
3.2	Écran .....	138
3.2.1	Configuration initiale via LCS-Tool .....	139
3.2.2	Activation de l'interrupteur-sectionneur DC .....	139
3.2.3	Mise en service .....	140
3.2.4	Fichier de codes réseau .....	140
3.2.5	Configuration du repli automatique .....	140
<b>4</b>	<b>Service</b> .....	<b>141</b>
4.1	Recherche d'erreurs et dépannage .....	141
4.2	Entretien .....	148

<b>5</b>	<b>Données techniques</b>	<b>149</b>
5.1	Spécifications	149
5.2	Conformité	150
5.3	Conditions d'installation	151
5.4	Spécifications de couple	152
5.5	Spécifications pour la protection du réseau	153
5.6	Spécifications de l'interface de communication	153
5.7	Raccordements Ethernet	154
5.7.1	Topologie du réseau	154
<b>6</b>	<b>Contact</b>	<b>155</b>

# ITALIANO - Indice

<b>1</b>	<b>Introduzione</b>	<b>160</b>
1.1	Panoramica del sistema	161
1.2	Scopo delle istruzioni	161
1.3	Disimballaggio	163
1.4	Targhetta di identificazione dell'inverter	163
1.5	Ordine d'installazione	163
<b>2</b>	<b>Installazione</b>	<b>165</b>
2.1	Ambiente e distanze	165
2.2	Montaggio del supporto da parete	166
2.3	Montaggio dell'inverter	167
2.4	Rimozione dell'inverter	168
2.5	Accesso all'area di installazione	168
2.6	Collegamento rete CA	169
2.7	Introduzione dei cavi	171
2.8	Collegamenti Ethernet	171
2.9	Collegamento CC	172
2.10	Chiusura	173
<b>3</b>	<b>Setup iniziale e avviamento</b>	<b>173</b>
3.1	Interfaccia utente	173
3.1.1	Modalità di funzionamento	173
3.2	Display	174
3.2.1	Setup iniziale attraverso LCS Tool	175
3.2.2	Inserimento del sezionatore CC	175
3.2.3	Messa in servizio	176
3.2.4	File del codice di rete	176
3.2.5	Configurazione del fallback	176
<b>4</b>	<b>Servizio di assistenza tecnica SMA</b>	<b>177</b>
4.1	Ricerca degli errori	177
4.2	Manutenzione	184

<b>5</b>	<b>Dati tecnici</b>	<b>185</b>
5.1	Specifiche	185
5.2	Conformità	186
5.3	Condizioni di installazione	187
5.4	Specifiche di coppia	188
5.5	Specifiche dei fusibili di rete	189
5.6	Dati tecnici delle interfacce di comunicazione	189
5.7	Collegamenti Ethernet	190
	5.7.1 Topologia della rete	190
<b>6</b>	<b>Contatti</b>	<b>191</b>



## Legal Provisions

The information contained in these documents is the property of SMA Solar Technology AG. Any publication, whether in whole or in part, requires prior written approval by SMA Solar Technology AG. Internal reproduction used solely for the purpose of product evaluation or other proper use is allowed and does not require prior approval.

### SMA Warranty

You can download the current warranty conditions from the Internet at [www.SMA-Solar.com](http://www.SMA-Solar.com).

### Trademarks

All trademarks are recognized, even if not explicitly identified as such. Missing designations do not mean that a product or brand is not a registered trademark.

### SMA Solar Technology AG

Sonnenallee 1  
34266 Niestetal  
Deutschland  
Tel. +49 561 9522-0  
Fax +49 561 9522-100  
[www.SMA.de](http://www.SMA.de)  
E-mail: [info@SMA.de](mailto:info@SMA.de)




Copyright © 2019 SMA Solar Technology AG.  
All rights reserved.

## Designations in the Document



Complete designation	Designation in this document
Sunny Tripower Storage 60	Inverter, product

## IMPORTANT SAFETY INFORMATION

### Levels of Warning Messages

Symbol	Explanation
 <b>DANGER</b>	Safety information that, if not avoided, will result in death or serious injury.
 <b>WARNING</b>	Safety information that, if not avoided, could result in death or serious injury.
 <b>CAUTION</b>	Safety information that, if not avoided, can result in minor or moderate injury.
<b>NOTICE</b>	Safety information that, if not avoided, can result in property damage.

### Symbols in the Document

Symbol	Explanation
 <b>SKILLED PERSON</b>	Indicates that the following section contains tasks that must be performed by qualified persons only
	Information that is important for a specific topic or goal, but is not safety-relevant
<input type="checkbox"/>	Indicates a requirement for meeting a specific goal
<input checked="" type="checkbox"/>	Desired result
<b>x</b>	A problem that might occur

## Safety Information

### ⚠ CAUTION

This manual contains important instructions that must be followed during installation and maintenance of the inverter.

### **i** Before Installation

Check the inverter and the packaging for damage. If in doubt, contact the supplier before commencing installation.

### ⚠ WARNING

#### Installation/Service

For optimum safety, follow the steps described in this document. Keep in mind that the inverter has two voltage carrying sides: PV input and utility grid.

### ⚠ DANGER

#### Disconnecting the inverter

Before working on the inverter, disconnect it from the utility grid by means of the AC breaker and switch off DC using the integrated DC load-break switch. Ensure that the inverter cannot be unintentionally reconnected. Use a voltage detector to ensure that the unit is disconnected and voltage free. Wait at least five minutes after disconnection from the utility grid and batteries before proceeding.

### ⚠ DANGER

#### Danger to life from electric shock due to live DC cables

The DC cables connected to a battery may be live. Touching the DC conductors or the live components leads to lethal electric shocks.

- Do not touch non-insulated cable ends.
- Do not touch any live components.
- Have the inverter and the battery mounted, installed and commissioned only by qualified persons with the appropriate skills.
- Observe all safety information of the battery manufacturer.
- Always disconnect the inverter and battery from voltage sources before performing any work on them.
- Wait five minutes before working on the inverter.
- If an error occurs, have it rectified by qualified persons only.

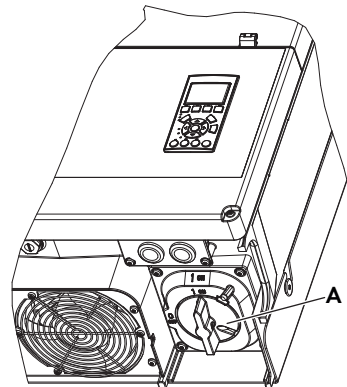


Figure 1: DC load-break switch

A DC load-break switch

### **i** INFORMATION

The DC load-break switch can be secured in the "Off" position using a padlock.

## INFORMATION

The inverter is not intended to be used in living areas and cannot provide protection of radio reception against interference signals in such environments. In accordance with EN55011:2016, the inverter must only be operated at operation locations where the distance between the inverter and radio-communication installations is greater than 30 m and an own power transformer is used.

## CAUTION

### MAINTENANCE AND MODIFICATION

Only authorized personnel are permitted to repair or modify the inverter. To ensure personal safety, use only original spare parts available from the supplier.

## WARNING

### INSTALLER

Input and output circuits are isolated from the enclosure. System grounding is the responsibility of the installer.

## WARNING

### RISK OF ELECTRIC SHOCK

This manual is intended for use by qualified personnel only. To reduce the risk of electric shock, do not perform any maintenance work other than that specified in the manual unless you are qualified to do so.

## WARNING

### Danger due to ground fault on DC side during operation

Due to the transformerless topology of the product, the occurrence of ground faults on DC side during operation can lead to irreparable damage. Damages to the product due to a faulty or damaged DC installation are not covered by warranty. The product is equipped with a protective device that checks whether a ground fault is present during the starting sequence. The product is not protected during operation.

- Ensure that the DC installation is carried out correctly and no ground fault occurs during operation.

## WARNING

### Risk of burns due to electric arcs

Short-circuit currents in the battery can cause heat build-up and electric arcs.

- Disconnect the battery from all voltage sources prior to performing any work on the battery.
- Observe safety information of the battery manufacturer when working on the battery or inverter.

## WARNING

The inverter is not equipped with a transformer and is intended to be installed with an ungrounded battery (with floating potentials).

## WARNING

Input and output circuits are isolated from the enclosure. System grounding is the responsibility of the installer.

## CAUTION

All persons responsible for the installation and maintenance of inverters must be:

- Trained and authorized in general safety rules for work on electric equipment.
- Familiar with local requirements, rules and regulations for the installation.

## CAUTION

The inverter does not provide overcurrent protection. This must be provided by the installer. See Table 5.8

## CAUTION

The temperature of the cooling elements and components in the inverter can exceed 70 °C. There is a risk of burns. The inverter is to be installed in such way that hot components cannot be touched.



**i INFORMATION**

The symbol for grounding conductors used in this manual is identified in figure 2.18.

An illustration of the DC disconnecter can be found in Section 3.2.2, page 32.






**i INFORMATION**


For information about the operating temperature range, see Section 5.3, page 42.

**i INFORMATION**

This manual contains information about field wiring connections and torque specifications. See Section 5.4, page 43.

**Symbols on the inverter**

Symbol	Explanation
	Danger to life due to electric shock The product operates at high voltages. All work on the product must be carried out by qualified persons only.
	Danger This symbol indicates that the inverter must be additionally grounded if additional grounding or equipotential bonding is required at the installation site.
	Danger to life due to high voltages in the inverter; observe waiting time. High voltages that can cause lethal electric shocks are present in the live components of the inverter. Prior to performing any work on the inverter, disconnect it from all voltage sources as described in this document.
	Risk of burns due to hot surfaces The product can get hot during operation. Avoid contact during operation. Allow the product to cool down sufficiently before carrying out any work.
	Observe the documentation Observe all documentation supplied with the product.

Symbol	Explanation
	WEEE designation Do not dispose of the product together with the household waste but in accordance with the disposal regulations for electronic waste applicable at the installation site.

**Compliance**

Further information can be found in the download area of [www.SMA-Solar.com](http://www.SMA-Solar.com) (see also Section 5, page 40).

**1 Introduction**

The Sunny Tripower Storage 60 is an AC coupled battery inverter for parallel grid operation. The inverter converts direct current supplied by a battery into grid-compliant three-phase alternating current. For operation, the inverter must be connected to a utility grid and with a permitted battery. The inverter is not suitable for other applications (such as operation with PV or wind turbine systems).

The product must only be used as stationary equipment. The product may only be operated in connection with an intrinsically safe lithium-ion battery approved by SMA Solar Technology AG. The battery must include a separate disconnection device. An updated list of batteries approved by SMA Solar Technology AG is available at [www.SMA-Solar.com](http://www.SMA-Solar.com).

The battery must comply with the locally applicable standards and directives and must be intrinsically safe. The communication interface of the used battery must be compatible with the product. The entire battery voltage range must be completely within the permissible input voltage range of the product. The maximum permissible DC input voltage of the product must not be exceeded.

The storage system consists of three main components:

- Inverters
- SMA Inverter Manager  
The SMA Inverter Manager is always required for the operation of the inverter. Up to 20 inverters and 20 batteries can be connection to each SMA Inverter Manager. The SMA Inverter Manager handles all communication of the inverters and batteries. It serves as central interface for data acquisition systems, upload to cloud services and power-plant control.
- Local commissioning and service tool (LCS-Tool)  
The LCS tool is required for the commissioning and servicing of the inverter via the SMA Inverter Manager. The LCS-Tool is the primary user interface for the PV system.



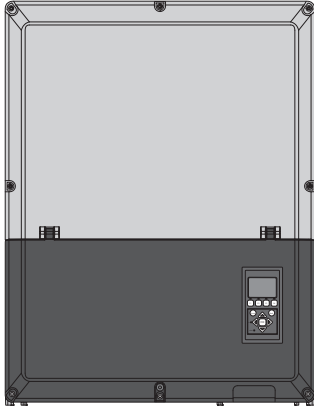


Figure 1.2 Front view of the inverter

Abbreviation	Description
cat5e	Category 5 twisted pair cable (enhanced) for data transmission
DHCP	Dynamic Host Configuration Protocol - enables automatic assignment of the network address via the DHCP server
DSL	Digital Subscriber Line
EMC (directive)	Electromagnetic compatibility directive
ESD	Electrostatic discharge
FRT	Fault Ride Through
GSM	Global System for Mobile Communications (standard for digital cellular mobile network)
HDD	Hard Disk Drive
IEC	International Electrotechnical Commission - international standards organization
IT	Isolated Terra
LCS	Local commissioning and service tool (LCS-Tool)
LED	Light-Emitting Diode
LVD (Directive)	Low-voltage directive
MCB	Miniature circuit breaker
MPP	Maximum Power Point
P	P is the symbol for active power and is measured in Watts (W).
PCB	Printed circuit board

Abbreviation	Description
PCC	Point of Common Coupling - point of interconnection  The point on the public electricity network to which other customers are, or could be, connected.
Grounding conductor	Protective grounding
PELV	Protected Extra-Low Voltage
PLA	Power Level Adjustment = Output power limitation
$P_{nom}$	Power [W], Nominal active power
POC	Connection point  The point at which the system is connected to the public utility grid.
$P_{STC}$	Power [W], Standard Test Conditions
PV	Photovoltaic, photovoltaic cells
RCD	Residual-current device
RCMU	Residual Current Monitoring Unit
$R_{ISO}$	Insulation resistance
ROCOF	Rate of Change of Frequency
Q	Q is the symbol for reactive power and is measured in reactive volt-amperes (VAR).
S	S is the symbol for apparent power and is measured in volt-amperes (VA).
SOC	State of charge of the battery
STC	Standard Test Conditions
SW	Software
THD	Total Harmonic Distortion
TN-S	Terra Neutral - Separate. AC Network
TN-C	Terra Neutral - Combined. AC Network
TN-C-S	Terra Neutral - Combined - Separate. AC Network
TT	AC grid with separation between operational ground of the generator and ground of the load system
DNO	Distribution grid operator

## 1.3 Unpacking

Check the scope of delivery of each product for completeness and any externally visible damage.

Contact your distributor if the scope of delivery is incomplete or damaged.

The delivery may contain parts that are not required for the installation.

Contents:

- Inverters
- Wall mounting bracket
- Accessories bag containing:
  - 6 wall plugs 8 x 50 mm
  - 6 mounting screws 6 x 60 mm
  - 1 M25 cable gland with sealing grommet for Ethernet cables
  - 1 grounding bolt M6 x 12 mm
- Installation manual
- Quick reference guide for installation

## 1.4 Inverter type label

The type label uniquely identifies the inverter. You will require the information on the type label to use the product safely and when seeking customer support from the SMA Service Line. You will find the following information on the type label:

- Device type (Model)
- Serial number (Serial No.)
- Date of manufacture
- Device-specific characteristics

## 1.5 Installation Sequence

1. Pay special attention to the important safety information at the beginning of this manual.
2. Mount the inverter according to Section 2.1, page 22, Section 2.2, page 23, Section 2.3, page 24.
3. Open the inverter in accordance with Section 2.5, page 25.
4. Install the AC supply in accordance with Section 2.6, page 26.
5. Install Ethernet in accordance with Section 5.7, page 45.
6. Close the inverter in accordance with Section 2.5, page 25.
7. Switch on the DC load-break switch.
8. Turn on AC.
9. Switch on the battery.
10. Finalize commissioning by using the Local Commissioning and Service Tool (LCS-Tool). The tool is available from the download area at [www.SMA-Solar.com](http://www.SMA-Solar.com). The hardware requirements for the LCS-Tool are:
  - PC with Windows™ 7 and later
  - 1 GB HDD
  - 2 GB RAM

The LCS-Tool must be installed on a local PC drive. The PC must be connected to the system network of the SMA Inverter Manager. See Section 3.2.1, page 31 for configuring via the LCS tool.
11. Verify the installation by:
  - Inverter display: LED "On" is permanently green.
  - LCS-Tool: In the inverter view, the status is "On grid".
  - Battery status via the SMA Inverter Manager
12. The inverter is in operation now.

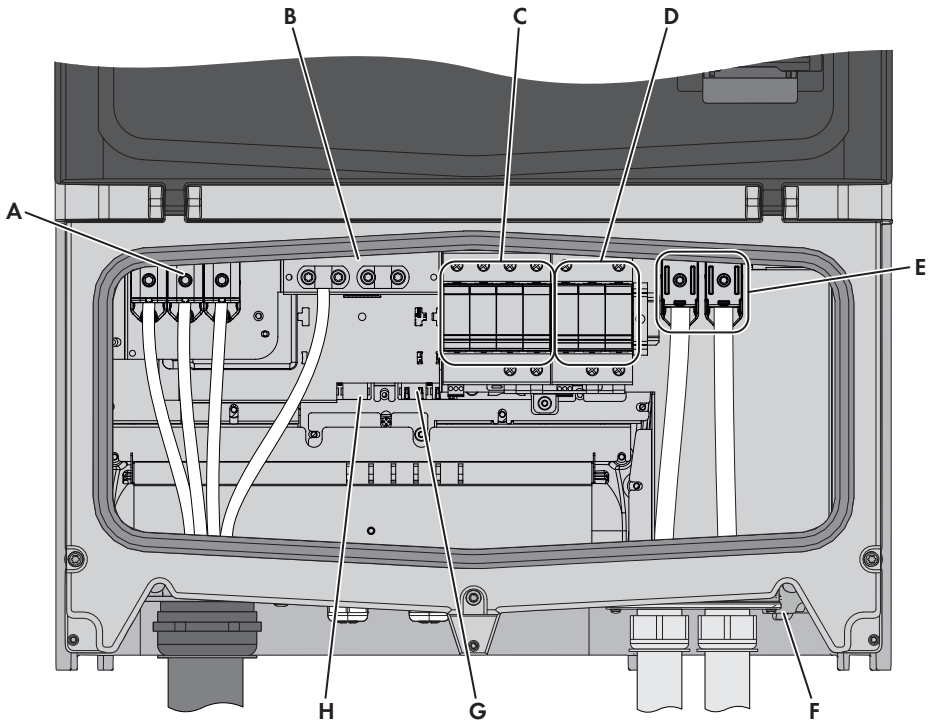


Figure 1.3 Overview of the installation area

**PELV (safe to touch)**

B	Device grounding
G	Ethernet interface x 2
H	RS485 interface (not in use)

**Live Parts**

A	AC terminals
E	DC Terminals

**Others**

C	AC overvoltage protection (SPDs)
D	DC overvoltage protection (SPDs)
F	DC load-break switch

Table 1.2 Overview of the installation area

## 2 Installation

### 2.1 Environment and Clearances



Figure 2.1 Avoid constant contact with water

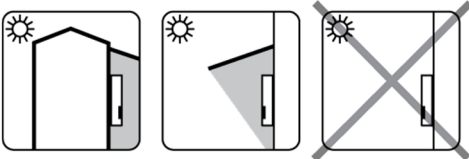


Figure 2.2 Avoid direct solar irradiation

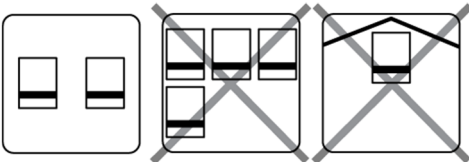


Figure 2.3 Ensure adequate air flow

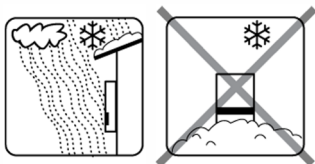


Figure 2.4 Ensure adequate air flow

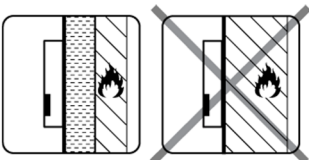


Figure 2.5 Mount on non-flammable surface

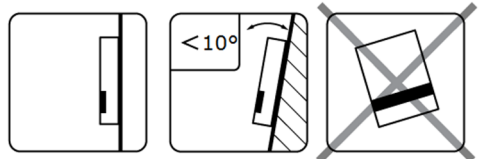


Figure 2.6 Mount upright on vertical surface. A backward tilt of ten degrees is allowed.



Figure 2.7 Avoid dust and ammonia gases

#### **i** INFORMATION

When selecting the installation site, ensure that the product and warning messages on the inverter are visible at all times. For details, refer to Section 5, page 40.

## 2.2 Mounting of the wall mounting bracket

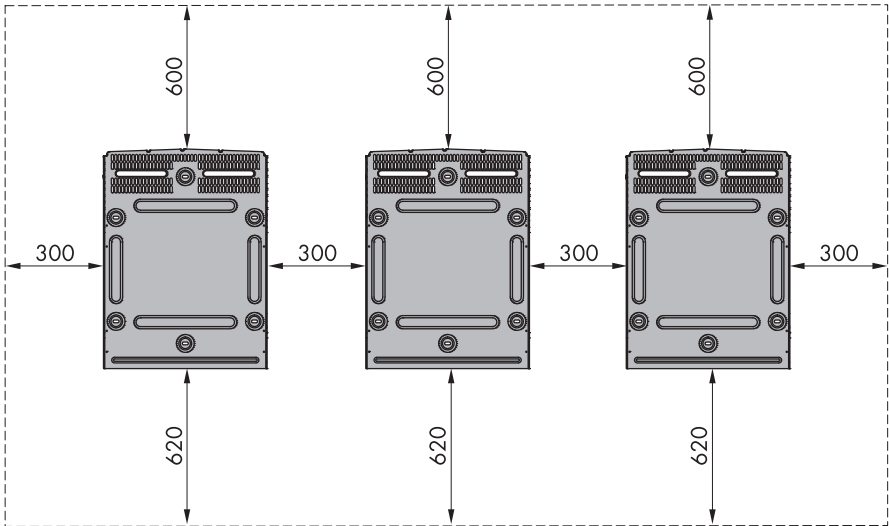


Figure 2.8 Safety clearances in mm

**i** **INFORMATION**

The safety clearances to other objects must be maintained to ensure sufficient air circulation (see figure 2.8).

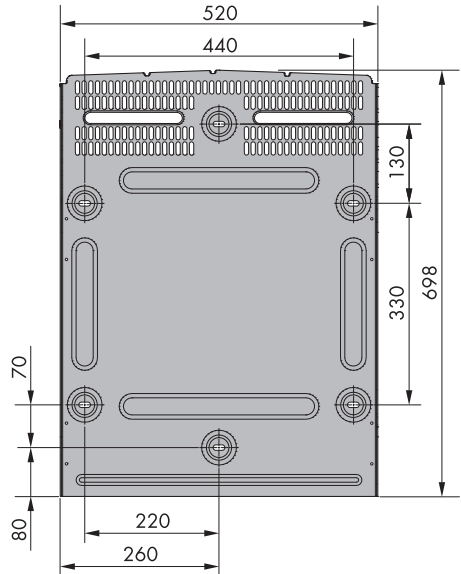


Figure 2.9 Dimensions of wall mounting bracket in mm

**i INFORMATION**

Use of the wall mounting bracket delivered with the inverter is mandatory. Warranty claims will expire if the inverter is operated without the wall mounting bracket. It is strongly recommended to use all six mounting holes (see figure 2.10).

**Mounting of the wall mounting bracket:**

- Mount the wall mounting bracket in the designated area.
- Use screws and wall plugs that can safely carry the weight of the inverter.
- Ensure that the wall mounting bracket is correctly aligned.
- When installing one or several inverters, observe the safety clearances to ensure sufficient airflow. Clearances are specified in figure 2.8 and on the wall mounting bracket label.
- Mounting multiple inverters side by side in a single row is recommended. Contact the supplier for guidelines when mounting inverters in more than one row.
- Ensure adequate clearance at the front, for safe installation and service access to the inverter.

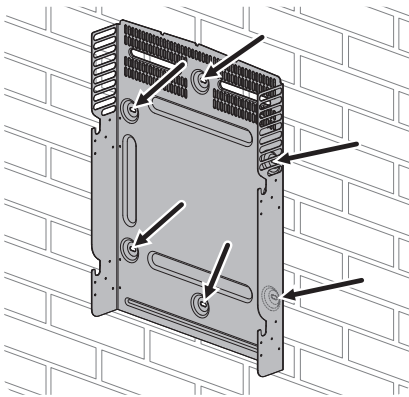


Figure 2.10 Mounting of the wall mounting bracket

**2.3 Mounting the Inverter**

**⚠ CAUTION**

When handling the inverter observe the local health and safety regulations.

**Procedure:**

1. Attach M12 lifting bolts and matching nuts to the inverter (not included in the scope of delivery).
2. Lift the inverter.

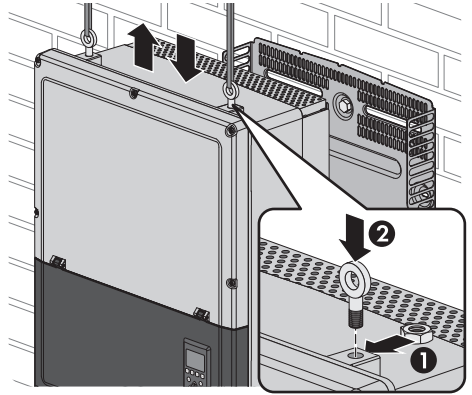


Figure 2.11 Attaching the lifting bolts and lifting the inverter

3. Locate the slots on the side of the wall mounting bracket.
4. On the inverter, position the side screws against the wall mounting bracket slots. Push the inverter so the side screws slide into the two lower slots and the two upper slots.

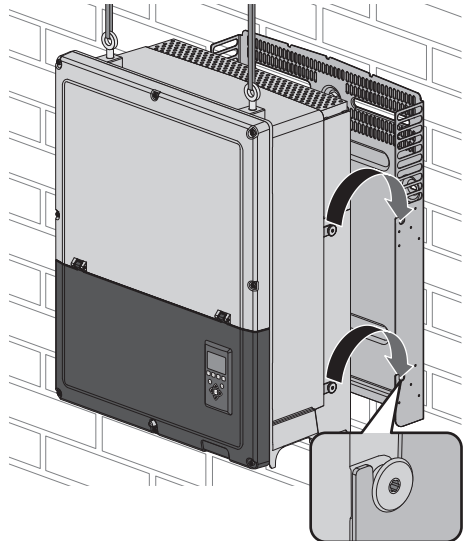


Figure 2.12 Hooking the inverter into the wall mounting bracket



5. Check that the four side screws sit securely in the wall mounting bracket slots.
6. Release the inverter.

## 2.4 Disassembling the Inverter

### Procedure:

1. Disassemble the inverter in the reverse mounting order.
2. Lift and slide the inverter out of the wall mounting bracket slots.
3. Lift the inverter off the wall mounting bracket.

## 2.5 Access to the Installation Area

### ⚠ DANGER

#### Danger to life from electric shock due to live DC cables

The DC cables connected to a battery may be live. Touching the DC conductors or the live components leads to lethal electric shocks.

- Do not touch non-insulated cable ends.
- Do not touch any live components.
- Have the inverter and the battery mounted, installed and commissioned only by qualified persons with the appropriate skills.
- Observe all safety information of the battery manufacturer.
- Always disconnect the inverter and battery from voltage sources before performing any work on them.
- Wait five minutes before working on the inverter.
- If an error occurs, have it rectified by qualified persons only.

### ⚠ DANGER

#### Disconnecting the inverter

Before working on the inverter, disconnect it from the utility grid by means of the AC breaker and switch off DC using the integrated DC load-break switch. Ensure that the inverter cannot be unintentionally reconnected. Use a voltage detector to ensure that the unit is disconnected and voltage free. Wait at least five minutes after disconnection from the utility grid and batteries before proceeding.

### ⚠ CAUTION

Observe ESD safety regulations. Discharge any electrostatic charge by touching the grounded enclosure, before handling any electronic component.

### Procedure:

1. To open the cover, loosen the three lower front screws using a TX 30 screwdriver. The screws are captive screws and cannot fall out.
2. Raise the cover by 180 degrees. A magnet enables the cover to stay open.

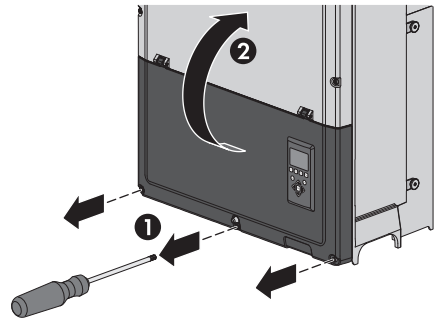


Figure 2.13 Loosen front screws and lift the cover

3. To close the cover, lower it into place and fasten the three front screws.

## 2.6 AC Grid Connection

### ⚠ DANGER

These instructions for AC grid connection are for qualified personnel only. To reduce the risk of electric shock, do not perform any maintenance work other than that specified in the manual unless you are qualified to do so.

### ⚠ CAUTION

For fuse and RCD information, refer to Section 5, page 40. AC fuse rating must not exceed the ampacity of the conductors used.

**IMI Detection**

The inverter has a built-in IMI/RCMU (Insulation Monitoring Interrupter / Residual Current Monitoring Unit).

The inverter acts on residual DC current and a sudden change in the ground fault current. This functionality is activated during normal operation.

**Insulation Resistance Detection**

The inverter has a built-in insulation resistance detection. The insulation resistance detector performs a measurement of the connected battery resistance to ground before the inverter connects to the grid. If the resistance is below the grid code set value, the inverter will wait and re-measure the resistance after a short while. When the resistance is above the grid code set value, the inverter performs a self-test and connects to the grid.

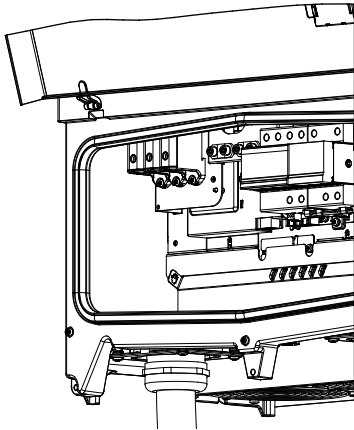


Figure 2.14 Installation area

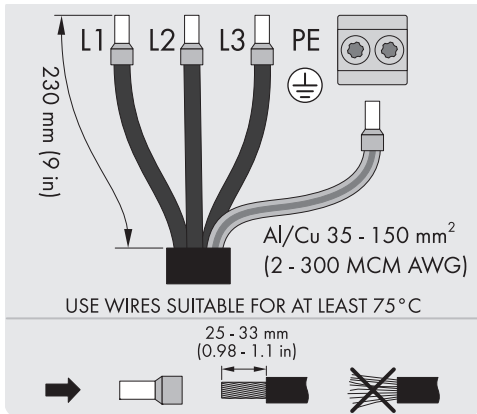


Figure 2.15 AC cable wire strip

**INFORMATION**

Cables with multi-strand, fine-strand or extra fine-strand conductors can be used for AC connection (see figure 2.16). The cables must be suitable for a temperature of at least 75 °C.

When using fine-strand or extra fine-strand conductors, bootlace ferrules must be used for the connection.

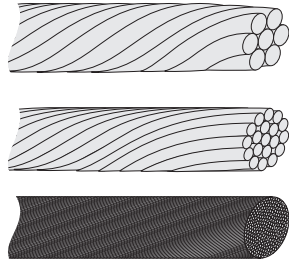


Figure 2.16 Cables with different conductors (from top to bottom): multi-strand, fine-strand and extra fine-strand

The inverter may only be connected to a three-phase utility grid.

Strip off the insulation of all four AC cable conductors. The protective conductor (PE) must be longer than the grid wires.

1. Verify that the nominal voltage of the inverter matches the grid voltage.
2. Ensure that the main circuit breaker is released, and take precautions to prevent reconnection.
3. Open the front cover.
4. Insert the cable through the AC cable gland to the terminal block.
5. Connect the three grid wires (L1, L2, L3) and the grounding conductor (PE) to the terminal block with the respective markings. The grounding conductor is marked with the symbol shown in figure 2.17.
6. Optional: Make an extra PE connection at the secondary PE grounding points using the external device grounding bolt delivered with the inverter. See figure 5.2.
7. All conductors must be correctly attached with the correct torque. See Section 5.4, page 43.

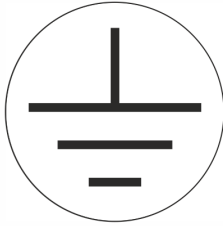


Figure 2.17 Protective conductor symbol

**⚠ WARNING**

**LEAKAGE CURRENT HAZARD**

Insufficient grounding of the inverter can lead to serious injuries or lethal injuries.

- Ensure the correct grounding of the devices by a certified electrical installer.

## 2.7 Cable Entry

The mounting brackets for the cable glands are already pre-mounted.

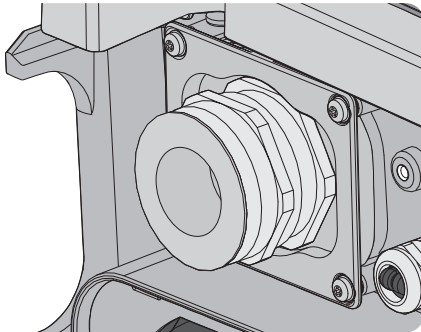


Figure 2.18 AC cable gland

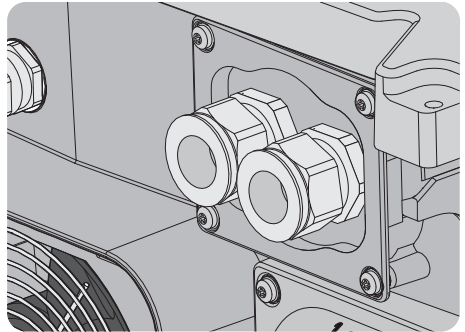


Figure 2.19 DC cable gland

Terminal	Range <sup>1)</sup>	Line material	Cable sheath diameter with supplied cable gland
AC+PE	35 to 150 mm <sup>2</sup>	Al/Cu	46 to 53 mm
DC	35 to 150 mm <sup>2</sup>	Al/Cu	18 to 25 mm

Table 2.1 Suitable conductor sizes

<sup>1)</sup> Always observe the ampacity of cables used.

## 2.8 Ethernet Connections

When used outdoors, make sure to use a suitable cable (see Section 5.6 “Technical Data of the Communication Interface”, page 44). If the cable is very stiff, an intermediate terminal should be used to achieve greater flexibility of the cable before it is connected to the inverter. For some cables, it might be sufficient to remove the hard outer mantle of the part of the cable inside the inverter enclosure. In this way, the RJ45 Ethernet connectors mounted on the printed circuit boards are protected against excessive stress, which could lead to damages or problems with the connection.

### Procedure:

1. Do not remove the RJ45 connector on the Ethernet cable.
2. Run the cables through the base of the inverter via cable glands. See figure 2.20.
3. Cut slice in rubber grommet. Place the grommet in the gland to ensure proper seal.
4. Plug into the Ethernet connector.

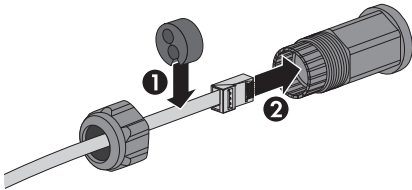


Figure 2.20 Run cables through cable glands

## 2.9 DC connection

### ⚠ WARNING

#### Danger to life due to fire caused by a short circuit.

The inverter cannot disconnect a short circuit current from the battery. Short-circuit currents can cause fires.

- Install a fuse switch-disconnector and a Class J UL-listed thermal fuse between the inverter and the battery. In the event of an error, they are able to securely switch off the short-circuit current of the battery.

### ⚠ CAUTION

The inverter is protected against short-term reverse polarity. Not correcting reverse polarity results in irreparable defects of the inverter and will void the warranty.

- Make sure that the cables are properly connected to the inverter so that the inverter can feed in DC input voltage.
- Only connect batteries with reverse polarity detection to the inverter.

### ⚠ CAUTION

The battery is floating, with both the (+) and (-) conductors connected to the DC inputs of the inverter. Neither conductor is connected to ground.

### ⚠ CAUTION

Switching on the DC load-break switch at the same time as the battery results in irreparable defects of the inverter and will void the warranty.

- Ensure that the battery is switched off before activating the load-break switch.

The DC power can be disconnected with the inverter-integrated DC load-break switch.

### ⚠ WARNING

Do NOT connect DC to ground!

### ⚠ WARNING

#### Danger due to ground fault on DC side during operation

Due to the transformerless topology of the product, the occurrence of ground faults on DC side during operation can lead to irreparable damage. Damages to the product due to a faulty or damaged DC installation are not covered by warranty. The product is equipped with a protective device that checks whether a ground fault is present during the starting sequence. The product is not protected during operation.

- Ensure that the DC installation is carried out correctly and no ground fault occurs during operation.

**⚠ WARNING**

**Do not operate the DC load-break switch in the event of ground fault**

In rare cases, an explosive gas mixture can be generated inside the product in the event of an error. In this state, switching operations can cause a fire or explosion. Death or lethal injuries due to fire or flying debris can result.

- In case of error, only carry out corrective measures specified by SMA Solar Technology AG (for corrective measures see Section 4.1, page 33). If no corrective measures are specified, do not perform any actions on the product. Contact Service.
- Ensure that unauthorized persons have no access to the product.
- Disconnect the AC circuit breaker and secure against reconnection.
- Disconnect the battery from the product via an external disconnection device. Do not operate the DC load-break switch on the product.

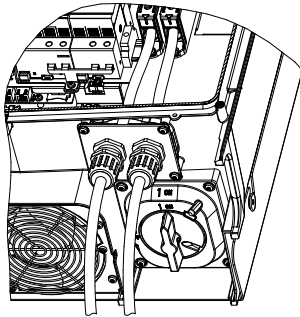


Figure 2.22: DC connection area

**i INFORMATION**

Cables with multi-strand, fine-strand or extra fine-strand conductors can be used for DC connection (see figure 2.23). The cables must be suitable for a temperature of at least 75°C. When using fine-strand or extra fine-strand conductors, bootlace ferrules must be used for the connection.

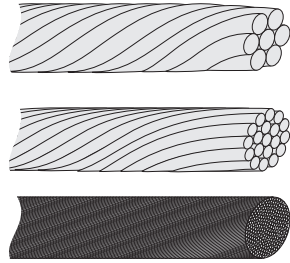


Figure 2.23 Cables with different conductors (from top to bottom): multi-strand, fine-strand and extra fine-strand

1. On the inverter turn the DC load-break switch to Off position.
2. Connect the DC cable to the inverter. Ensure the correct polarity when doing so.
3. All conductors must be correctly attached with the correct torque (see Section 5.4, page 43).

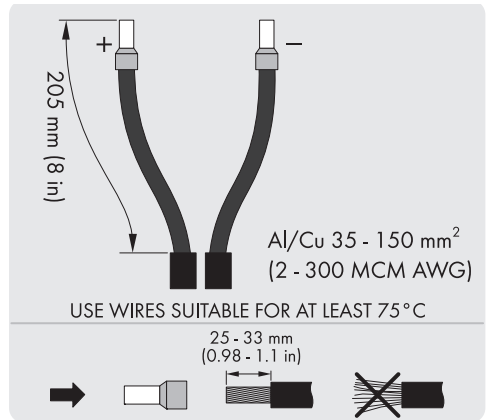


Figure 2.27 DC label

**2.10 Closing**

1. Close the cover of the inverter installation area. Fasten the three front screws (see Section 5.4, page 43).
2. Turn on AC power.



## 3.2 Display



### INFORMATION

It may take some time until the display responds after switching on.

The integrated display on the inverter front gives the user access to information about the inverter.



Figure 3.1 Overview of display buttons and functionality

Button	Function
F1	Adjust the contrast level of display. Use arrow up/down button while pressing the F1 button.
F2	No function
F3	
F4	
Home	Return to main screen
OK	No function
Up arrow	A step up
Down arrow	A step down
Arrow right	Toggles screen right
Arrow left	Toggles screen left
Back	Return to main screen

Button	Function
On – green LED	
Alarm – red LED	

Table 3.2 Display with control and function buttons

The screen design is divided into different sections:

#### 1. Main screen. Current and daily yield.

This section contains:

- Actual output power (kW)
- Daily energy (kWh)
- Total energy (kWh)
- Current date
- Current time
- Operating mode (#)

#### 2. Inverter information. This section contains:

- Inverter device type
- Inverter name
- Inverter serial number
- IP address
- Serial number of the SMA Inverter Manager
- Software version of the inverter

#### 3. Actual values This section contains:

- DC voltage and current
- Phase-to-phase voltages
- Phase currents
- Grid frequency

### 3.2.1 Initial Setup via LCS Tool

The inverter and the SMA inverter manager must be commissioned via the local commissioning and service tool (LCS-Tool). Commissioning is necessary before the inverter is connected to the AC utility grid and feed-in operation begins.

The LCS tool enables the selection of predefined country data sets for different utility grids. Customer-specific country data sets can be provided by SMA and imported via the LCS tool (see installation manual of the SMA Inverter Manager / LCS Tool).

After installation, check all cables and close the inverter.

Turn on AC power.

**⚠ WARNING**

Selecting the correct grid code is important in order to comply with the local and national standards.

It is possible to create customer-specific grid code files with adjusted set values (see Section 3.2.4).

**⚠ CAUTION**

Prolonged reverse polarity leads to a failure of the inverter and thus will void the warranty.

- Make sure that the cables are correctly connected to the inverter.

### 3.2.2 Switching on the DC Load-Break Switch

**⚠ CAUTION**

Switching on the DC load-break switch at the same time as the battery results in irreparable defects of the inverter and will void the warranty.

- Ensure that the battery is switched off before activating the load-break switch.

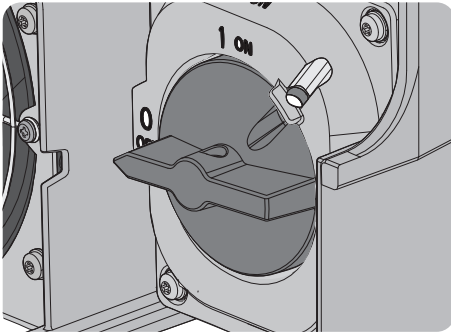


Figure 3.2. DC load-break switch

Switch on the DC load-break switch on the inverter.

### 3.2.3 Commissioning

The inverter starts up automatically. The battery is activated via the SMA Inverter Manager. Commissioning takes a few minutes. During this period, the inverter performs a self-test.

**i INFORMATION**

The inverter is protected against short-term reverse polarity. The inverter does not generate feed-in power until any reverse polarity is corrected.

### 3.2.4 Grid Code File

**i INFORMATION**

If the desired grid code is not available, or if the LCS tool displays a warning about incompatible software versions, the grid code and software library must be updated on the LCS tool.

It is possible to create customer-specific grid code files with adjusted set values. For this purpose, please contact SMA Technology AG.

### 3.2.5 Configuring the Fallback

If the communication between the inverter and the SMA Inverter Manager is interrupted, the inverter switches to a previously defined operating state (Fallback). The desired operating state when communication is interrupted, can be activated and configured with the customer-specific grid code file or via the LCS tool. For further information on the configuration of the system fallback between the SMA Inverter Manager and a superior control unit (e.g. SCADA system or Power Plant Controller) see installation manual of the SMA Inverter Manager / LCS Tool.

**i INFORMATION**

Observe the specifications of your electric utility company.



## 4 Service

### 4.1 Troubleshooting and Repair

The information is organized in tables showing messages appearing in the LCS tool, known as events. The tables contain descriptions of events as well as explanations of which actions to take when an event occurs.

A list with battery events can be viewed on request at the battery manufacturer.

Event type	Indicates whether the event is of the grid, DC, internal or fail safe category.
ID	The specific event ID.
Display	Text shown in display.
Description	Description of the event.
Measure	Description of which action to take prior to contacting any other parties.
DNO	If the prescribed action has not identified the malfunction, contact the DNO for further assistance.
SMA Service Line	If the prescribed action has not identified the malfunction, contact Service for further assistance (see Section 6 "Contact", page 46).
DC	If the prescribed action has not identified the malfunction, contact the battery manufacturer for further assistance.

#### Grid-Related Events

ID	Status message	Description	Measure	DNO	SMA Service Line	DC
1-6		Grid voltage too low.	Check voltage and AC installation. If the voltage is zero, check the fuses.	x	-	-
7-9		Grid voltage average too high for ten minutes.	Check that the installation is correct in accordance with the installation manual. If so, request a new grid code file with increased voltage limit or reactive power for voltage suppression.	x	-	-
10-15		Grid voltage too high.	Check voltage and AC installation.	x	-	-
16-18		The inverter has detected a voltage peak on the grid.	Check voltage and AC installation.	x	-	-
19, 22		Grid frequency too low or too high.	Check power frequency.	x	-	-
28-30		Grid frequency change exceeded.	Check deviation of the grid frequency.	x	-	-
31-33		DC current share in utility grid is too high.	For repeated daily occurrences, perform onsite grid analysis.	-	x	-

ID	Status message	Description	Measure	DNO	SMA Service Line	DC
34-37		The residual-current monitoring unit (RCMU) detected an overcurrent.	Turn off both DC and AC supply and wait until the display turns off. Then turn on DC and AC supply and observe if the event reoccurs. Visual inspection of all DC cables and modules.	-	x	-
40	Utility grid not OK.	The utility grid has been outside the permissible range for more than ten minutes (frequency and/or voltage).	Check grid frequency, grid voltage, software version and grid code setting.	x	-	-
41-43		Fault ride through. The inverter has detected that the grid voltage was below or above a certain level.	If this event is reported several times each day, perform onsite grid analysis.			
48, 51		Grid frequency too low or too high.	Check grid frequency and AC installation.	x	-	-
54-56		DC current share in utility grid is too high (stage 2).	For repeated daily occurrences, perform onsite grid analysis.	x	-	-
61		Grid failure, open phase detected.	If the event reoccurs several times each day, contact the responsible grid operator.	x	-	-
62		Grid failure.	If the event reoccurs several times each day, contact the responsible grid operator.	x	-	-
64-81		Grid voltage on phase too low.	Check voltage and AC installation. If the voltage is zero, check the fuses.	x	-	-

Figure 4.1 Grid-related events

## Battery-related events

ID	Status message	Description	Measure	DNO	SMA Service Line	DC
115, 260	DC ISO too low	The resistance between the DC terminals and ground (PE) is too low for the inverter to be commissioned. This will force the inverter to make a new measurement after ten minutes.	<p>Make a visual inspection of all DC cables and the battery for correct installation according to the installation manual. The event could indicate that the PE connection is missing.</p> <p><b>Warning:</b> A repeated occurrence of this message on several consecutive days indicates a general problem in the DC insulation. In this case, a comprehensive test of the insulation is necessary, since even a sudden ground fault during operation cannot be excluded.</p> <p><b>Warning:</b> A ground fault during operation can completely destroy the device.</p>	-	x	x
258	DC voltage too high/ waiting	The DC voltage is too high.	Make sure that battery system and layout correspond to recommendations in the manuals.	-	x	x
278		DC voltage warning.	Make sure that battery system and layout correspond to recommendations in the manuals.	-	x	x
400	Charge current exceeded high limit	Charging current is too high.	Check the battery management system.	-	-	x
401	Discharge current exceeded high limit	Discharge current is too high.	Check the battery management system.	-	-	x
402	DC voltage exceeded high limit	The DC voltage is too high.	Check the battery management system.	-	-	x
403	DC voltage exceeded low limit	The DC voltage is too low.	Check the battery management system.	-	-	x
491	Inverter lost communication from battery	Communication Errors	Check cabling.	-	x	x

ID	Status message	Description	Measure	DNO	SMA Service Line	DC
492	not defined	The formatting of the transmitted battery parameters is not compatible.	Contact the battery manufacturer.	-	-	x

Table 4.2 battery-related events

### System-Related Events

ID	Status message	Description	Measure	DNO	SMA Service Line	DC
2000		Communication assembly is booting.	-	-	-	-
2010, 2011		The software update of the main CPU has started / has finished.	-	-	-	-
2012 - 2018		The software update failed.	Restart the software update. If an error occurs during the update, contact Service.	-	x	-
2030		Transmission of the grid code to the main computer failed.	If this event occurs frequently, contact Service.	-	x	-
2050		Ethernet connection is active	No measure necessary. This error is used, for example, to identify bad Ethernet cables.	-	-	-
2051		Ethernet connection is disconnected	No measure necessary. This error is used, for example, to identify bad Ethernet cables.	-	-	-
2052, 2053		Transmission of the Grid Code from the SMA Inverter Manager to the inverter has started/ended.	-	-	-	-
2054		Transmission of the Grid Code from the SMA Inverter Manager to the inverter has failed.	If this event occurs frequently, contact Service.	-	-	-
2055	Fallback activated	The inverter switched to the fallback mode after the communication with the SMA Inverter Manager was interrupted.		-	-	-

ID	Status message	Description	Measure	DNO	SMA Service Line	DC
2056	Fallback completed	The inverter has switched back to normal operation after having been in the fallback mode due to a communication disturbance with the SMA Inverter Manager.		-	-	-

Table 4.3 System-related event

### Internal Events

ID	Status message	Description	Measure	DNO	SMA Service Line	DC
201-208		The internal temperature of the inverter is too high.	Verify that no objects or dust are on top of the inverter and make sure that the air ducts are clear and not blocked.	-	x	-
209, 210		Voltage in DC link is too high.	If the event persists, reset the inverter by disconnecting DC and AC. If the event is repeated, check the maximum DC voltage using the display to see if it is above the limits.	-	x	-
211	Low fan speed	Fan speed is too low.	Check whether the inverter fan is blocked.	-	x	-
213-215		Internal error. Voltage measured before and after the relay differs too much.	Contact the service.	-	x	-
216-218		Current measured on AC side is too high.	Contact the service.	-	x	-
219-221		Internal error. Voltage measured before and after the relay differs too much.	Contact the service.	-	x	-
225-240, 275		Failure in memory/EEPROM.	Restart the inverter. If the event persists, call Service.	-	x	-
241, 242, 245, 249		Internal communications fault.	Restart the inverter. If the event persists, call Service.	-	x	-
248		Internal CPU error.	Restart the inverter. If the event persists, call Service.	-	x	-
252-254		Current measured on AC side is too high.	If the event repeats, call Service.	-	x	-

ID	Status message	Description	Measure	DNO	SMA Service Line	DC
243, 263		Internal error.	Restart the inverter. If the event persists, call Service.	-	x	-
279		Temperature sensor error.	If the event persists, call Service.	-	x	-
280		Self-test 24-hour timeout. Self-test must run at least once per 24 hours.	None.	-	-	-
281		Too many RCMU events during the past 24 hours. Only four automatic reconnect attempts after event 34 is allowed during a 24-hour period. The inverter will automatically try to reconnect after a certain period.	Wait up to 24 hours. If event 34 occurs again, follow the corrective action for event 34.	-	x	-
282		Grid code settings invalid.	Restart the inverter. If the error continues to occur, please ask the Service department to create a new Grid Code file or to issue a new standard Grid Code.	-	x	-
283		Gatedrive error.	Restart the inverter. If the event persists, call Service.	-	x	-
323		Internal fan error. Maximum output power has been reduced.	If the event repeats, call Service.	-	x	-

Table 4.4 Internal events

### Events caused by the self-test

ID	Description	Measure	DNO	SMA Service Line	DC
100	DC input current is negative. Sensor fault.	Check the polarity of the battery. If polarity is correct, call Service.	-	x	-
264	Measurement circuit test failed.	If the event persists, call Service.	-	x	-
266	Measurement circuit test failed.	<b>Warning:</b> Do not operate the DC load-break switch of the inverter. Switching off the DC voltage using a suitable DC load-break switch in the Combiner Box is still possible. Do not perform any further actions or switching operations on the inverter. Contact Service immediately.	-	x	x

ID	Description	Measure	DNO	SMA Service Line	DC
272	DC overvoltage protection device error. Inverter will continue operation without overvoltage protection.	Replace DC overvoltage protection device. See SPD replacement instructions for details.	-	x	-
273	AC grid surge protection device error. Inverter will continue operation without surge protection device.	Replace AC grid surge protection device. See SPD replacement instructions for details.	-	x	-
274	Overvoltage protection device status unknown.	Restart the inverter. If the event persists, call Service.	-	x	-
350-352	Residual-current monitoring unit (RCMU) self-test failed.	Contact the service.	-	x	-
353	Current sensor test failed.	Contact the service.	-	x	-
356-361	Transistor and relay test failed or inverter relay has failed (contact assumed welded).	<b>Warning:</b> Do not operate the DC load-break switch of the inverter. Switching off the DC voltage using a suitable DC load-break switch in the Combiner Box is still possible. Do not perform any further actions or switching operations on the inverter. Contact Service immediately.	-	x	-
366	Residual-current monitoring unit (RCMU) self-test failed.	Contact the service.	-	x	-

Table 4.5 Events caused by the self-test

## 4.2 Maintenance

Ensure that the heat sink at the rear of the inverter is not covered.

For correct operation and a long service life, ensure free air circulation for the following areas:

- around the heat sink at the top and side of the inverter where the air exhausts, and
- towards the fan on the underside of the inverter.

To clear obstructions, clean using compressed air, a soft cloth, or a brush.

### WARNING

The temperature of the heat sink can exceed 70°C.

## 5 Technical Data

### 5.1 Specifications

Parameter	STPS60-10
<b>AC</b>	
Rated power at nominal voltage	75000 W
Maximum apparent AC power	75000 VA
Maximum reactive power	75000 var
Nominal AC voltage	3 / PE; 400 V ± 10%
AC voltage range	360 V to 530 V
Max. output current	109 A
AC total harmonic distortion (THD at nominal output power)	≤ 1%
Power factor at rated power	1
Power factor at rated power/displacement power factor adjustable	1 / 0 overexcited to 0 underexcited
Stand-by power consumption (for communication)	< 3 W
AC grid frequency / range	50 Hz / 44 Hz to 55 Hz 60 Hz / 54 Hz to 65 Hz
Feed-in phases / connection phases	3 / 3
<b>DC</b>	
Maximum charging power	60000 W
DC voltage range	570 V to 1000 V
Max. input current at 660 V	140 A
Overvoltage categories	AC: Overvoltage category III (OVC III), DC: Overvoltage category II (OVC II)
Integrable DC surge arrester / AC surge arrester	Type II / type II + III (combined)
<b>Efficiency</b>	
Max. efficiency	98.8 %
<b>Enclosure</b>	
Dimensions (W / H / D)	740 × 570 × 306 mm
Weight	77 kg
Acoustic noise level	58 dB(A) (typical)

Table 5.1 Specifications



Parameter	STPS60-10
Protection class (according to IEC 62109-1)	I
<b>Electrical</b>	
Electrical safety	<ul style="list-style-type: none"> <li>• IEC 62109-1/IEC 62109-2 (Class I, grounded - Communication part Class II, PELV)</li> </ul>
<b>Functional</b>	
Functional Safety	<ul style="list-style-type: none"> <li>• Voltage and frequency monitoring</li> <li>• Monitoring of DC current share in AC current</li> <li>• Insulation resistance monitoring</li> <li>• FI monitoring</li> </ul>
Islanding detection - grid failure	<ul style="list-style-type: none"> <li>• Active Frequency Shift</li> <li>• Disconnection</li> <li>• Three-phase monitoring</li> <li>• ROCOF/SFS</li> </ul>
RCD compatibility <sup>1)</sup>	Type B, 1000 mA

Table 5.2 Safety specifications

<sup>1)</sup> depending on local regulations

## 5.2 Compliance

International standards	STPS60-10
Efficiency	Peak efficiency, standard: EN 50530
EC low-voltage directive	2014/35/EU
EC directive for electromagnetic compatibility (EMV)	2014/30/EU
Security	EN 62109-1:2010/EN 62109-2:2011
Functional Safety	EN 62109-2:2011
EMC, interference immunity	EN 61000-6-2:2005
EMC, emission	EN 55011:2016 Group 1, Class A
Harmonic currents	EN 61000-3-12
CE	yes
Properties of the utility grid	IEC 61727
	EN 50160

## 5.3 Installation Conditions

Parameter	Specification
Operating temperature range	-25 °C to 60 °C*
Storage temperature	-30 °C to 60 °C
Max. temperature for installation and maintenance	45 °C
Max. permissible value for relative humidity (non-condensing)	95 %
Pollution degree	PD2
Environmental category IEC62109-1	Outdoor, wet (see Section 2, page 22)
Environmental class in accordance with IEC 60721-3-4	4K4H/4Z4/4B2/4S3/4M2/4C2
Cooling concept	Forced air cooling
Air quality - general	ISA S71.04-1985 Class G3 (at 75% rF)
Air quality - coastal, heavy industrial and agricultural zones	Must be measured and classified in accordance with ISA S71.04-1985: G3 (at 75% RH)
Vibration	< 1 G
Enclosure protection class	IP65
UL 50E enclosure type	NEMA 3R
Maximum operating altitude above mean sea level	2000 m above sea level (power reductions may occur starting at an altitude of 1000 m).**
Installation	Avoid constant contact with water. Avoid direct solar irradiation. Ensure adequate air flow. Mount on non-flammable surface. Mount upright on vertical surface. Prevent dust and ammonia gases.

\* Potential power reduction above 45 °C (for further information see technical information "Efficiencies and Derating")

\*\* Installation at altitudes > 2000 m are possible on request; contact SMA Solar Technology AG for this.

Table 5.6 Installation conditions

## 5.4 Torque Specifications

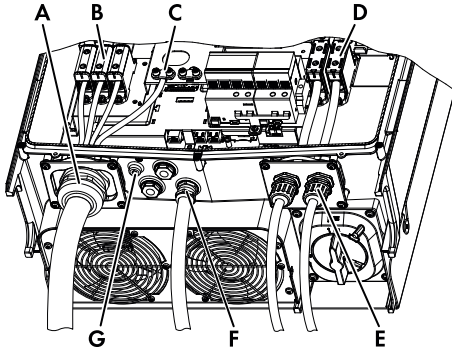


Figure 5.2 Overview of inverter with torque indications

	Parameter	Tools	Torque
A	M63 cable gland	Wrench 65/68 mm	6 Nm
	Swivel nut for M63 cable gland	Wrench 65/68 mm	3 Nm
B	AC terminals	HX 8	20 Nm (cable sheath diameter = 35 to 95 mm); 30 Nm (cable sheath diameter = 96 to 150 mm);
C	Primary grounding conductor (secondary grounding conductor directly to the right of it)	TX 30	3.9 Nm
D	DC Terminals	HX 8	20 Nm (cable sheath diameter = 35 to 95 mm); 30 Nm (cable sheath diameter = 96 to 150 mm);
E	M32 cable gland	Wrench 42 mm	6 Nm
	Swivel nut for M32 cable gland	Wrench 42 mm	1.8 Nm
F	M25 cable gland	Wrench 33 mm	4 Nm
	Swivel nut for M25 cable gland	Wrench 33 mm	1.8 Nm
G	M6 equipment grounding (equipotential bonding terminal)	TX 20	3.9 Nm
	Front screw (not shown)	TX 30	1.5 Nm

Table 5.7 Torques

## 5.5 Specifications for Grid Protection

Parameter	Specification
Maximum inverter current, $I_{ACmax}$	109 A
Type of thermal fuse to be used gR (IEC 60269-1)	160 A
Miniature circuit breaker to be used type B or C	160 A
Maximum fuse rating	160 A

Table 5.8 Specifications for grid protection



### INFORMATION

Observe local regulations.

## 5.6 Technical Data of the Communication Interface

Interface	Parameter	Parameter details	Specification
Ethernet	Cable	Cable sheath diameter ( $\varnothing$ )	2 x 5 to 7 mm
		Cable type	STP cable (Shielded Twisted Pair, CAT 5e or SFTP CAT 5e) <sup>1)</sup>
		Cable characteristic impedance	100 $\Omega$ to 120 $\Omega$
	RJ45 connector: 2 pcs. RJ45 for Ethernet	Wire size	0.14 to 0.25 mm <sup>2</sup> (depending on the design of the RJ45 plug)
		Cable shield termination	Via RJ45 plug
	Galvanic interface insulation		Yes, 500 Vrms
	Direct protection against contact	Double/reinforced insulation	yes
	Short-circuit protection		yes
	Communication	Network Topology	Star connection, ring connection and daisy chain
	Cable	Max. cable length between inverters	100 m
Max. number of inverters	Per SMA Inverter Manager	20	

Table 5.9 Technical data of the communication interface

<sup>1)</sup> (see Section 2.8 "Ethernet Connections", page 28)

## 5.7 Ethernet Connections

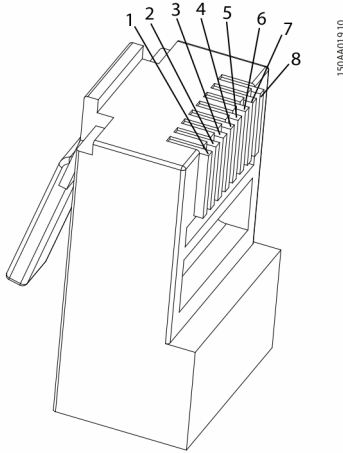


Table 5.4 Pin assignment of the RJ45 plug for Ethernet

Pin assignment Ethernet	Color standard	
	Cat. 5 T-568A	Cat. 5 T-568B
1. RX+	Green/white	Orange/white
2. RX	Green	orange
3. TX+	Orange/white	Green/white
4.	Blue	Blue
5.	Blue/white	Blue/white
6. TX-	Orange, 6,	Green
7.	Brown/white	Brown/white
8.	Brown	Brown

### 5.7.1 Network Topology

The inverter has two Ethernet RJ45 pin connectors that enable the connection of several inverters and the battery in line topology (as an alternative to the usual star topology).

#### INFORMATION

Ring topology (C in figure 5.5) is only permitted if realized with Ethernet switch supporting spanning tree.

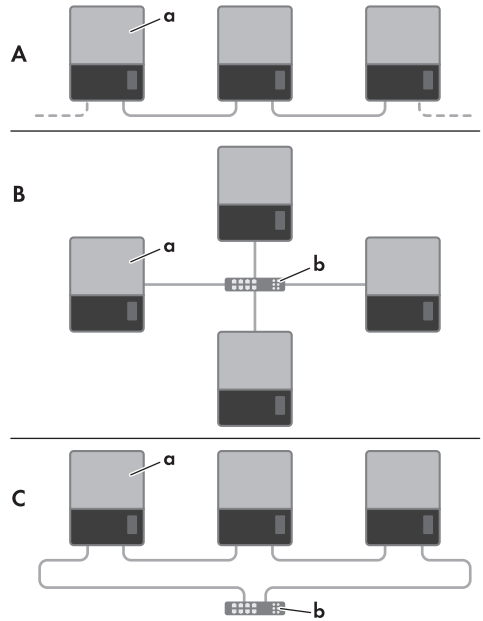


Figure 5.5 Network topology

A	Linear daisy chain
B	Star topology
C	Ring topology (only if spanning tree is used)
a	Inverters
b	Ethernet switch

Status of the LEDs next to the Ethernet port is explained in table 5.12. There are two LEDs per interface.

Status	Yellow LED	Green LED
Off	10 MBit/s data transfer rate	No link
On	100 MBit data transfer rate	link
Flashing	-	Action

Table 5.12 LED status

## 6 Contact

If you have technical problems with our products, please contact the SMA Service Line. We require the following information in order to provide you with the necessary assistance:

- Inverter device type
- Inverter serial number
- Inverter firmware version
- Special country-specific settings of the inverter (if applicable)
- Mounting location and altitude of the inverter
- Display message
- Type of battery connected
- Firmware version of the connected battery

## Rechtliche Bestimmungen

Die in diesen Unterlagen enthaltenen Informationen sind Eigentum der SMA Solar Technology AG. Die Veröffentlichung, ganz oder in Teilen, bedarf der schriftlichen Zustimmung der SMA Solar Technology AG. Eine innerbetriebliche Vervielfältigung, die zur Evaluierung des Produktes oder zum sachgemäßen Einsatz bestimmt ist, ist erlaubt und nicht genehmigungspflichtig.

### SMA Garantie

Die aktuellen Garantiebedingungen können Sie im Internet unter [www.SMA-Solar.com](http://www.SMA-Solar.com) herunterladen.

### Warenzeichen

Alle Warenzeichen werden anerkannt, auch wenn diese nicht gesondert gekennzeichnet sind. Fehlende Kennzeichnung bedeutet nicht, eine Ware oder ein Zeichen seien frei.

### SMA Solar Technology AG

Sonnenallee 1  
34266 Niestetal  
Deutschland

Tel. +49 561 9522-0  
Fax +49 561 9522-100  
[www.SMA.de](http://www.SMA.de)  
E-Mail: [info@SMA.de](mailto:info@SMA.de)

Copyright © 2019 SMA Solar Technology AG.  
Alle Rechte vorbehalten.




## Benennungen im Dokument

Vollständige Benennung	Benennung in diesem Dokument
------------------------	------------------------------



Sunny Tripower Storage 60	Wechselrichter, Produkt
---------------------------	-------------------------

## WICHTIGE SICHERHEITSHINWEISE

### Warnhinweisstufen

Symbol	Erklärung
 <b>GEFAHR</b>	Sicherheitsrelevante Information, deren Nichtbeachtung unmittelbar zum Tod oder zu schwerer Verletzung führt.
 <b>WARNUNG</b>	Sicherheitsrelevante Information, deren Nichtbeachtung zum Tod oder zu schweren Verletzungen führen kann.
 <b>VORSICHT</b>	Sicherheitsrelevante Information, deren Nichtbeachtung zu einer leichten oder mittleren Verletzung führen kann.
<b>ACHTUNG</b>	Sicherheitsrelevante Information, deren Nichtbeachtung zu Sachschäden führen kann.

### Symbole im Dokument

Symbol	Erklärung
 <b>FACHKRAFT</b>	Hinweis, dass der folgende Abschnitt Tätigkeiten beinhaltet, die ausschließlich von Fachkräften durchgeführt werden dürfen
	Information, die für ein bestimmtes Thema oder Ziel wichtig, aber nicht sicherheitsrelevant ist
<input type="checkbox"/>	Voraussetzung, die für ein bestimmtes Ziel gegeben sein muss
<input checked="" type="checkbox"/>	Erwünschtes Ergebnis
<b>x</b>	Möglicherweise auftretendes Problem

## Sicherheitshinweise

### ⚠ VORSICHT

Diese Anleitung enthält wichtige Anweisungen, die beim Einbau und der Wartung des Wechselrichters zu befolgen sind.



### Vor der Installation

Prüfen, ob der Wechselrichter und die Verpackung beschädigt sind. Wenden Sie sich im Zweifelsfall vor der Installation an den Lieferanten.

### ⚠ WARNUNG

#### Installation / Service

Zur Gewährleistung der optimalen Sicherheit sind die in diesem Dokument beschriebenen Schritte zu befolgen. Beachten Sie, dass der Wechselrichter über zwei spannungsführende Bereiche verfügt: Den DC-Eingang und das AC-Netz.

### ⚠ GEFAHR

#### Trennung des Wechselrichters

Schalten Sie vor Beginn der Arbeiten am Wechselrichter das AC-Netz am Netzschalter und DC über den eingebauten DC-Lasttrennschalter ab. Stellen Sie sicher, dass das Gerät nicht versehentlich wiederangeschlossen werden kann. Überprüfen Sie Mithilfe eines Spannungsprüfers, dass das Gerät abgeschaltet und spannungsfrei ist. Warten Sie nach jeder Trennung vom Stromnetz und von der Batterie mindestens 5 Minuten bevor Sie fortfahren.

### ⚠ GEFAHR

#### Lebensgefährlicher Stromschlag durch spannungsführende DC-Kabel

Die DC-Kabel, die an einer Batterie angeschlossen sind, können unter Spannung stehen. Das Berühren der DC-Leiter oder der spannungsführenden Bauteile verursacht lebensgefährliche Stromschläge.

- Keine freiliegenden Kabelenden berühren.
- Keine spannungsführenden Bauteile berühren.
- Den Wechselrichter und die Batterie ausschließlich von Fachkräften mit entsprechender Qualifikation montieren, installieren und in Betrieb nehmen lassen.
- Alle Sicherheitshinweise des Batterieherstellers einhalten.
- Vor allen Arbeiten am Wechselrichter und an der Batterie den Wechselrichter und die Batterie immer spannungsfrei schalten.
- 5 Minuten vor Arbeiten am Wechselrichter warten.
- Wenn ein Fehler auftritt, den Fehler ausschließlich von Fachkräften beheben lassen.

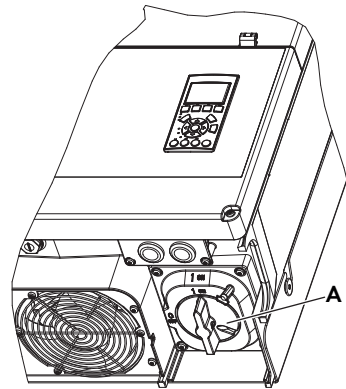


Abbildung 1: DC-Lasttrennschalter

A DC-Lasttrennschalter



### HINWEIS

Der DC-Lasttrennschalter kann in der „Aus“-Stellung mit einem Vorhängeschloss gesichert werden.



**HINWEIS**

Der Wechselrichter ist nicht dafür vorgesehen, in Wohnbereichen verwendet zu werden, und kann einen angemessenen Schutz des Funkempfangs in solchen Umgebungen nicht sicherstellen. Der Wechselrichter darf nach EN55011:2016 nur an Betriebsorten betrieben werden, bei denen der Abstand zwischen dem Wechselrichter und empfindlichen Funkkommunikationseinrichtungen größer als 30 m ist, und ein eigener Leistungstransformator verwendet wird.

**⚠ VORSICHT****WARTUNG UND ÄNDERUNG**

Reparaturen oder Umrüstungen am Wechselrichter dürfen nur von befugtem Fachpersonal durchgeführt werden. Es dürfen ausschließlich die über Ihrem Lieferanten erhältlichen Originalersatzteile verwendet werden, um eine Gefährdung von Personen auszuschließen.

**⚠ WARNUNG****INSTALLATEUR**

Eingangs- und Ausgangstromkreise sind vom Gehäuse isoliert. Die Erdung der Anlage unterliegt der Zuständigkeit des Installateurs.

**⚠ WARNUNG****GEFAHR EINES STROMSCHLAGS**

Diese Anleitung richtet sich ausschließlich an qualifiziertes Fachpersonal. Um das Risiko eines elektrischen Schlages zu verringern, dürfen keine Wartungsarbeiten ausgeführt werden, die nicht ausdrücklich in der Anleitung beschrieben sind, außer Sie sind zu deren Ausführung qualifiziert.

**⚠ WARNUNG****Gefahr durch DC-seitigen Erdschluss während des Betriebs**

Aufgrund der transformatorlosen Topologie des Produkts kann das Auftreten DC-seitiger Erdschlüsse während des Betriebs zu irreparablen Schäden führen. Schäden am Produkt durch eine fehlerhafte oder beschädigte DC-Installation sind nicht durch die Garantie abgedeckt. Das Produkt ist mit einer Schutzvorrichtung ausgestattet, die ausschließlich während des Startvorgangs prüft, ob ein Erdschluss vorliegt. Während des Betriebs ist das Produkt nicht geschützt.

- Sicherstellen, dass die DC-Installation korrekt durchgeführt ist und kein Erdschluss während des Betriebs auftritt.

**⚠ WARNUNG****Verbrennungsgefahr durch Lichtbögen**

Kurzschluss-Ströme der Batterie können Hitzeentwicklungen und Lichtbögen verursachen.

- Vor allen Arbeiten an der Batterie muss die Batterie spannungsfrei geschaltet sein.
- Bei allen Arbeiten an der Batterie und am Wechselrichter die Sicherheitshinweise des Batterieherstellers beachten.

**⚠ WARNUNG**

Dieser trafolose Wechselrichter wird mit einer ungeerdeten Batterie (mit frei schwebenden Potentialen) betrieben.

**⚠ WARNUNG**

Eingangs- und Ausgangstromkreise sind vom Gehäuse isoliert.

Die Erdung der Anlage fällt in die Zuständigkeit des Installateurs.

**⚠ VORSICHT**

Alle Personen, die mit der Installation und Wartung von Wechselrichtern betraut sind, müssen:

- in allgemeinen Sicherheitsrichtlinien für Arbeiten an elektrischen Betriebsmitteln geschult und befugt sein.
- mit lokalen Anforderungen, Regelungen und Richtlinien zur Installation vertraut sein.

**⚠ VORSICHT**

Der Wechselrichter bietet keinen Überstromschutz. Dieser muss vom Installateur bereitgestellt werden. Siehe Tabelle 5.8.

**⚠ VORSICHT**

Die Temperatur der Kühlelemente und Bauteile im Wechselrichter kann 70 °C überschreiten. Es besteht Verbrennungsgefahr.

Der Wechselrichter ist in einer Weise zu installieren, dass eine Berührung der heißen Bereiche durch Personen nicht zu erwarten ist.

**i HINWEIS**

Das in dieser Anleitung verwendete Symbol für Schutzleiter finden Sie in Abbildung 2.18.

Eine Illustration des DC-Freischalers finden Sie in Kapitel 3.2.2, Seite 66.



**i HINWEIS**

Informationen über den Umgebungstemperaturbereich finden Sie in Kapitel 5.3, Seite 78.

**i HINWEIS**

Diese Anleitung enthält Informationen zu Feldverdrahtungsanschlüssen und Drehmomentvorgaben. Siehe Kapitel 5.4, Seite 79.

**Symbole auf dem Wechselrichter**

Symbol	Erklärung
	Lebensgefahr durch elektrischen Schlag Das Produkt arbeitet mit hohen Spannungen. Alle Arbeiten am Produkt dürfen ausschließlich durch Fachkräfte erfolgen.
	Gefahr Dieses Symbol weist darauf hin, dass der Wechselrichter zusätzlich geerdet werden muss, wenn vor Ort eine zusätzliche Erdung oder ein Potenzialausgleich gefordert ist.

**Symbol Erklärung**

Lebensgefahr durch hohe Spannungen im Wechselrichter, Wartezeit einhalten

An den spannungsführenden Bauteilen des Wechselrichters liegen hohe Spannungen an, die lebensgefährliche Stromschläge verursachen können.

Vor allen Arbeiten am Wechselrichter den Wechselrichter immer wie in diesem Dokument beschrieben spannungsfrei schalten.



Verbrennungsgefahr durch heiße Oberfläche

Das Produkt kann während des Betriebs heiß werden. Vermeiden Sie Berührungen während des Betriebs. Lassen Sie vor allen Arbeiten das Produkt ausreichend abkühlen.



Dokumentationen beachten

Beachten Sie alle Dokumentationen, die mit dem Produkt geliefert werden.



WEEE-Kennzeichnung

Entsorgen Sie das Produkt nicht über den Hausmüll, sondern nach den am Installationsort gültigen Entsorgungsvorschriften für Elektroschrott.

**Konformität**

Weitere Informationen sind im Download-Bereich unter [www.SMA-Solar.com](http://www.SMA-Solar.com) erhältlich (siehe auch Kapitel 5, Seite 76).

# 1 Einführung

Der Sunny Tripower Storage 60 ist ein AC-gekoppelter Batterie-Wechselrichter für den Netzparallelbetrieb. Der Wechselrichter wandelt den von einer Batterie gelieferten Gleichstrom in netzkonformen 3-phasigen Wechselstrom um. Für den Betrieb muss der Wechselrichter an ein Versorgungsnetz angeschlossen sowie mit einer zugelassenen Batterie verbunden sein. Für andere Anwendungen (wie für den Betrieb mit PV- oder Windkraftanlagen) ist der Wechselrichter nicht geeignet.

Das Produkt darf ausschließlich als ortsfestes Betriebsmittel eingesetzt werden.

Das Produkt darf nur in Verbindung mit einer von SMA Solar Technology AG zugelassenen, eigensicheren Batterie betrieben werden. Die Batterie muss über eine separate Trennvorrichtung verfügen. Eine aktualisierte Liste der von SMA Solar Technology AG zugelassenen Batterien finden Sie unter [www.SMA-Solar.com](http://www.SMA-Solar.com).

Die Batterie muss den vor Ort gültigen Normen und Richtlinien entsprechen und muss eigensicher sein.

Die Kommunikationsschnittstelle der eingesetzten Batterie muss kompatibel zum Produkt sein. Der gesamte Batteriespannungsbereich muss vollständig innerhalb des zulässigen Eingangsspannungsbereichs des Produkts liegen. Die maximal zulässige DC-Eingangsspannung des Produkts darf nicht überschritten werden.

Das Speichersystem besteht aus 3 Hauptkomponenten:

- Wechselrichter
- SMA Inverter Manager

Der SMA Inverter Manager ist für den Betrieb des Wechselrichters immer erforderlich. An jeden SMA Inverter Manager können bis zu 20 Wechselrichter und 20 Batterien angeschlossen werden. Der SMA Inverter Manager verwaltet die gesamte Kommunikation der Wechselrichter und der Batterien. Er dient als zentrale Anlagenschnittstelle für Datenerfassungssysteme, Hochladen in Cloud-Dienste und Kraftwerk-Leittechnik.

- Lokales Inbetriebnahme- und Service-Tool (LCS-Tool)

Das LCS-Tool ist für die Inbetriebnahme und den Service des Wechselrichters über den SMA Inverter Manager erforderlich. Das LCS-Tool dient als primäre Benutzeroberfläche für die Anlage.

## 1.1 Systemübersicht

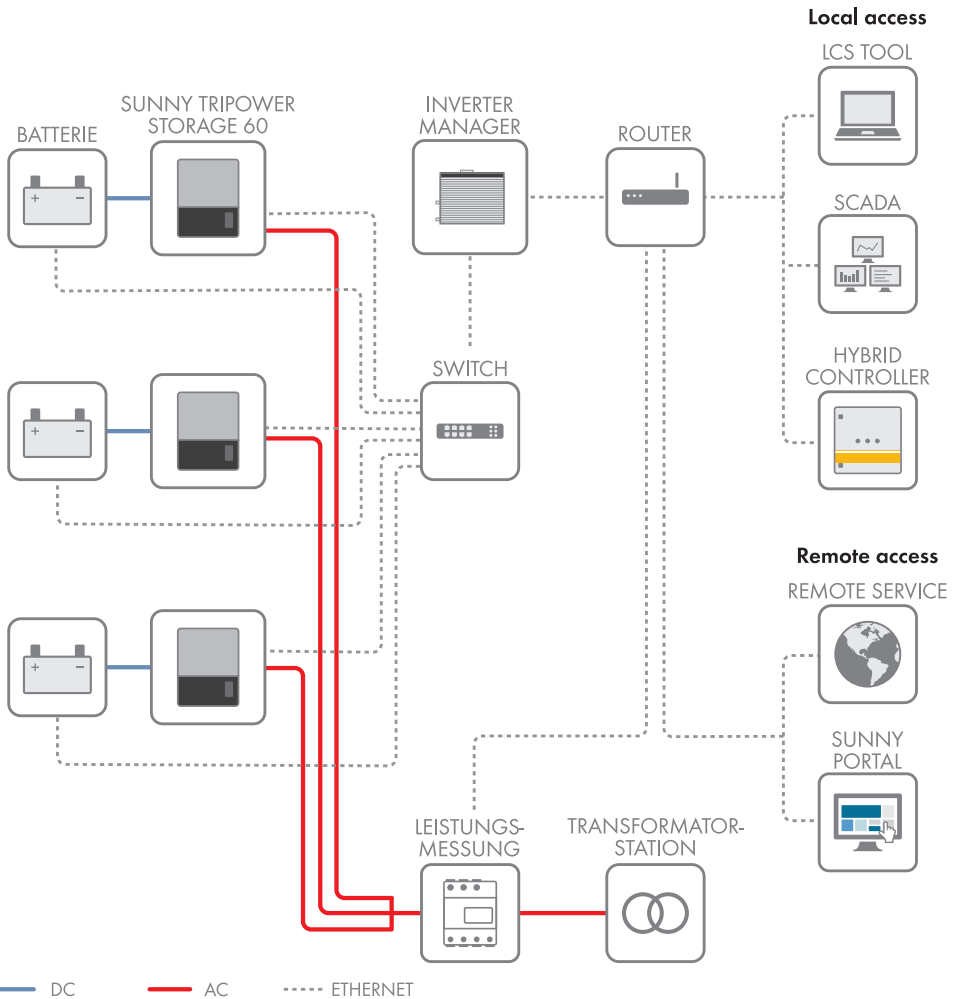


Abbildung 1.1 Systemübersicht

## 1.2 Zweck der Anleitung

Diese Anleitung enthält Informationen zur Installation und Inbetriebnahme des Wechselrichters.

Folgende zusätzliche Materialien sind verfügbar:

- Schnelleinstieg zur Installation des Wechselrichters – enthält notwendige Informationen zur Inbetriebnahme sowie zur Einrichtung der Kommunikation.
- Installationsanleitung des SMA Inverter Manager – enthält notwendige Informationen zur Inbetriebnahme sowie zur Einrichtung der Kommunikation.
- Serviceanleitung für den Austausch des Lüfters – enthält Informationen zum Austausch eines defekten Lüfters.
- Serviceanleitung für den Austausch der SPD's – enthält Informationen zum Austausch der Überspannungsschutzgeräte

Diese Dokumente sind im Download-Bereich unter [www.SMA-Solar.com](http://www.SMA-Solar.com) verfügbar. Sie können Sie auch über den Lieferanten des Wechselrichters beziehen.

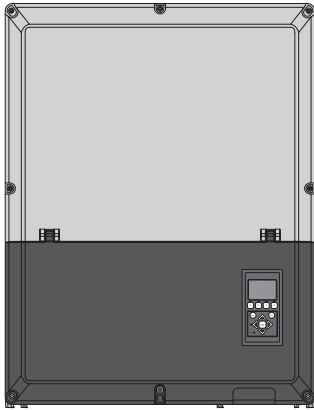


Abbildung 1.2 Frontansicht des Wechselrichters

Abkürzung	Beschreibung
cat5e	Kategorie 5 Kabel (mit verbesserten Eigenschaften) mit verdrehten Adernpaaren (Twisted-Pair) zur Datenübertragung
DHCP	Dynamic Host Configuration Protocol - ermöglicht die automatische Zuweisung der Netzadresse durch den DHCP-Server
DSL	Digital Subscriber Line - digitaler Teilnehmeranschluss
EMV (Richtlinie)	Richtlinie über die elektromagnetische Verträglichkeit
ESD	Elektrostatistische Entladung
FRT	Fault Ride Through (robustes Einspeiseverhalten im Netzfehlerfall)
GSM	Global System for Mobile Communications (Standard für digitale Mobilfunknetze)
HDD	Hard Disk Drive (Festplattenlaufwerk)
IEC	Internationale Elektrotechnische Kommission - internationale Normungsorganisation
IT	Isolierte Erde
LCS	Local Commissioning and Service Tool (lokales Inbetriebnahme- und Service-Tool)
LED	Leuchtdiode
NSR (Richtlinie)	Niederspannungsrichtlinie (Richtlinie)

Abkürzung	Beschreibung
MCB	Leitungsschutzschalter
MPP	Maximum Power Point (Punkt maximaler Leistung)
P	P ist das Symbol der Wirkleistung, gemessen in Watt (W).
PCB	Leiterplatte
PCC	Point of Common Coupling - Netzverknüpfungspunkt Der Punkt im öffentlichen Elektrizitätsnetz, an den Kunden angeschlossen sind oder sein könnten.
PE	Schutzerde
PELV	Schutzkleinspannung
PLA	Power Level Adjustment = Begrenzung der Ausgangsleistung
P <sub>NOM</sub>	Power [W], Nennwirkleistung
POC	Anschlusspunkt Der Punkt, an dem das System an das öffentliche Versorgungsnetz angeschlossen ist.
P <sub>STC</sub>	Power [W], Leistung bei Standardtestbedingungen
PV	Photovoltaik, Photovoltaik-Zellen
RCD	Fehlerstromschutzschalter
RCMU	Residual Current Monitoring Unit - FI-Überwachungsgerät
R <sub>ISO</sub>	Isolationswiderstand
ROCOF	Rate Of Change Of Frequency - Frequenzänderungsrate
Q	Q ist das Symbol der Blindleistung, gemessen in Volt-Ampere reaktiv (VAr)
S	S ist das Symbol der Scheinleistung und wird in Voltampere (VA) angegeben.
SOC	State of Charge (Ladezustand der Batterie)
STC	Standardtestbedingungen (Standard Test Conditions)
SW	Software
THD	Oberschwingungsgehalt
TN-S	Wechselstromnetz mit getrennten Schutz- und Neutralleitern
TN-C	Wechselstromnetz mit kombiniertem Schutz- und Neutralleiter

Abkürzung	Beschreibung
TN-C-S	Kombiniertes TN-C und TN-S-System: Die Trennung von Schutz- und Neutralleiter erfolgt am Übergangspunkt zwischen Verteilungsnetz und Kundenanlage.
TT	Wechselstromnetz mit Trennung zwischen Betriebserde des Erzeugers und der Erde der Verbraucheranlage
VNB	Verteilnetzbetreiber

## 1.3 Auspacken

Prüfen Sie den Lieferumfang jedes Produkts auf Vollständigkeit und äußerlich sichtbare Beschädigungen.

Setzen Sie sich bei unvollständigem Lieferumfang oder Beschädigungen mit Ihrem Fachhändler in Verbindung.

Im Lieferumfang können weitere Bestandteile enthalten sein, die nicht für die Installation benötigt werden.

Inhalt:

- Wechselrichter
- Wandhalterung
- Inhalt des Zubehörbeutels:
  - 6 Wanddübel 8 x 50 mm
  - 6 Befestigungsschrauben 6 x 60 mm
  - 1 M25 Kabelverschraubung mit Dichtungsmanschette für Ethernet-Kabel
  - 1 Erdungsbolzen M6 x 12 mm
- Installationsanleitung
- Schnelleinstieg zur Installation

## 1.4 Typenschild des Wechselrichters

Das Typenschild identifiziert den Wechselrichter eindeutig. Die Angaben auf dem Typenschild benötigen Sie für den sicheren Gebrauch des Produkts und bei Fragen an die SMA Service Line. Auf dem Typenschild finden Sie folgende Informationen:

- Gerätetyp (Model)
- Seriennummer (Serial No.)
- Herstellungsdatum (Date of manufacture)
- Gerätespezifische Kenndaten

## 1.5 Installationsreihenfolge

1. Bitte beachten Sie besonders die Sicherheitshinweise zu Beginn dieser Anleitung!
2. Den Wechselrichter gemäß Kapitel 2.1, Seite 56, Kapitel 2.2, Seite 57 und Kapitel 2.3, Seite 58 montieren.
3. Den Wechselrichter gemäß den Anweisungen in Kapitel 2.5, Seite 59 öffnen.
4. Die AC-Versorgung gemäß Kapitel 2.6, Seite 60 installieren.
5. Ethernet gemäß Kapitel 5.7, Seite 81 installieren.
6. Den Wechselrichter entsprechend den Anweisungen in Kapitel 2.5, Seite 59 schließen.
7. Den DC-Lasttrennschalter einschalten.
8. Wechselstrom einschalten.
9. Batterie einschalten.
10. Inbetriebnahme mittels LCS-Tool abschließen. Das Tool ist im Download-Bereich unter [www.SMA-Solar.com](http://www.SMA-Solar.com) erhältlich. Hardware Anforderungen für das LCS-Tool:
  - PC mit Windows<sup>TM</sup> 7 oder neuer
  - 1 GB HDD
  - 2 GB RAM
 Das LCS-Tool muss auf einem lokalen PC-Laufwerk installiert werden. Der PC muss mit dem Anlagennetzwerk des SMA Inverter Managers verbunden sein. Zur Einstellung über das LCS-Tool, siehe Kapitel 3.2.1, Seite 66.
11. Überprüfung der Installation durch:
  - Wechselrichteranzeige: LED „On“ leuchtet durchgehend grün.
  - LCS-Tool: Beim Wechselrichter lautet die Statusanzeige „On grid“.
  - Status der Batterie über den SMA Inverter Manager
12. Der Wechselrichter ist nun in Betrieb.

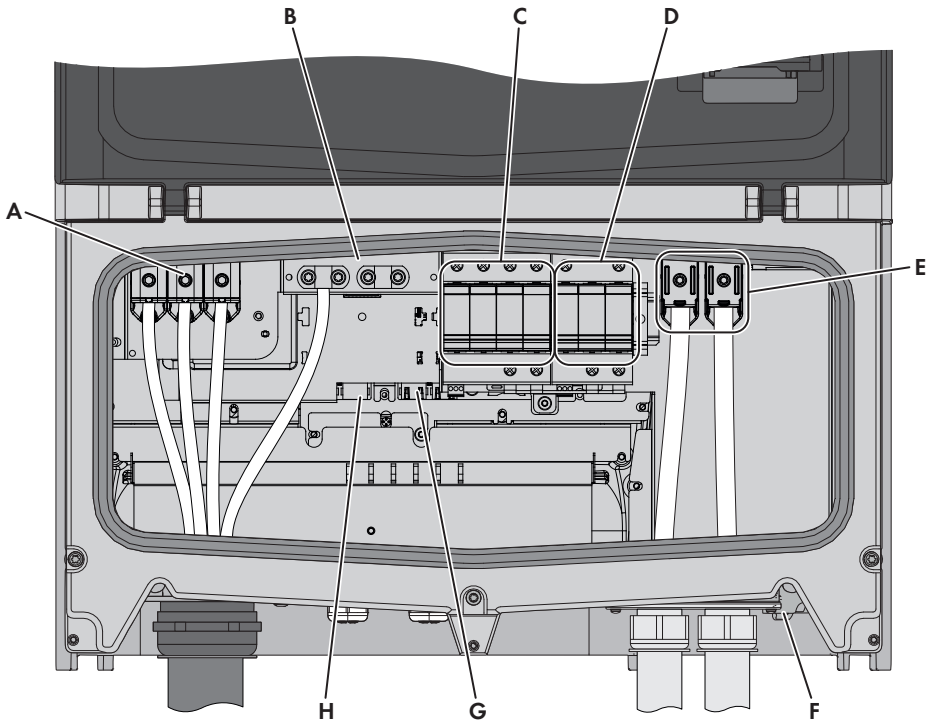


Abbildung 1.3 Überblick über den Installationsbereich

**PELV (berührungssicher)**

B	Geräteerdung
G	Ethernet-Schnittstelle x 2
H	RS485-Schnittstelle (nicht im Einsatz)

**Spannungsführende Teile**

A	AC-Anschlussklemmen
E	DC-Anschlussklemmen

**Sonstiges**

C	AC-Überspannungsschutz (SPDs)
D	DC-Überspannungsschutz (SPDs)
F	DC-Lasttrennschalter

Tabelle 1.2 Überblick über den Installationsbereich

## 2 Installation

### 2.1 Umgebung und Abstände



Abbildung 2.1 Ständigen Kontakt mit Wasser vermeiden

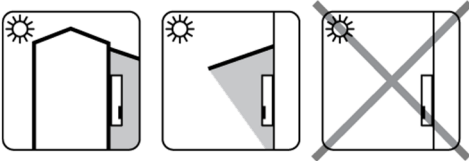


Abbildung 2.2 Direkte Sonneneinstrahlung vermeiden

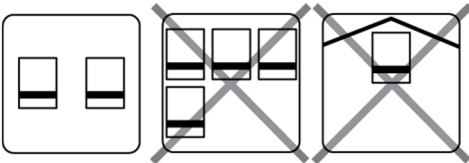


Abbildung 2.3 Ausreichende Luftströmung sicherstellen

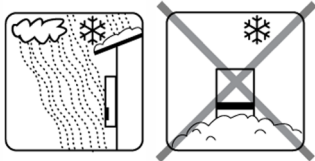


Abbildung 2.4 Ausreichende Luftströmung sicherstellen

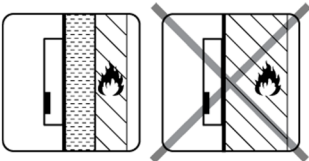


Abbildung 2.5 Auf nicht entflammbarer Oberfläche montieren

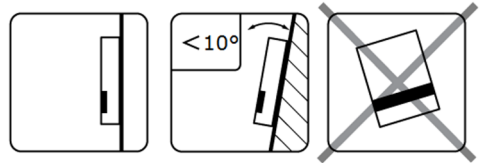


Abbildung 2.6 Gerade auf vertikaler Oberfläche einbauen. Eine Rückwärtsneigung von bis zu 10 Grad ist zulässig.



Abbildung 2.7 Staub und Ammoniakgase vermeiden

#### **i** HINWEIS

Bei der Auswahl des Installationsorts sicherstellen, dass die Produkt- und Warnhinweise auf dem Wechselrichter jederzeit sichtbar sind. Ausführliche Informationen finden Sie in Kapitel 5, Seite 76.



## 2.2 Montage der Wandhalterung

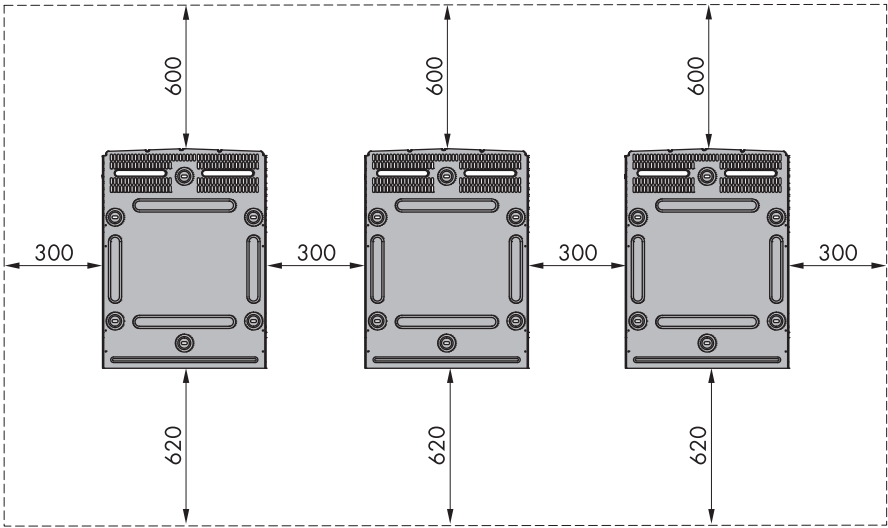


Abbildung 2.8 Sicherheitsabstände in mm

**i HINWEIS**

Für eine ausreichende Luftströmung müssen die Sicherheitsabstände zu anderen Objekten eingehalten werden (siehe Abbildung 2.8).

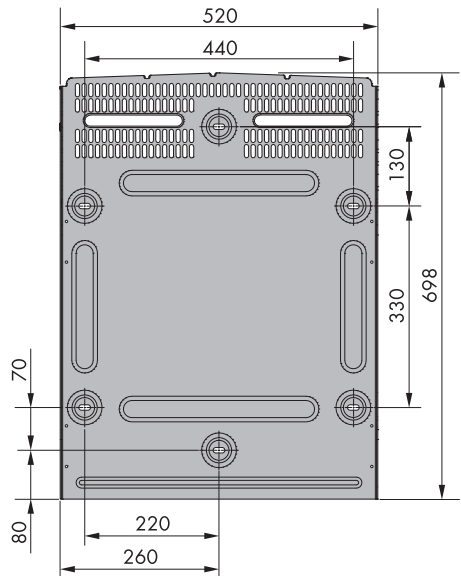


Abbildung 2.9 Bemaßung der Wandhalterung in mm

## HINWEIS

Die mitgelieferte Wandhalterung muss zwingend verwendet werden. Wird der Wechselrichter ohne Wandhalterung betrieben, erlischt der Garantieanspruch. Es wird dringend empfohlen, alle 6 Montagelöcher zu nutzen (siehe Abbildung 2.10).

### Montage der Wandhalterung:

- Wandhalterung in der vorgesehenen Umgebung montieren.
- Schrauben und Dübel verwenden, die das Wechselrichtergewicht sicher tragen können.
- Sicherstellen, dass die Wandhalterung korrekt ausgerichtet ist.
- Bei der Installation eines oder mehrerer Wechselrichter die Sicherheitsabstände einhalten, um eine ausreichende Luftströmung sicherzustellen. Die Abstände sind in Abbildung 2.8 und auf dem Schild der Wandhalterung angegeben.
- Es wird die Montage der Wechselrichter in einer Reihe nebeneinander empfohlen. Wenden Sie sich für Richtlinien zur Montage von Wechselrichtern in mehreren Reihen übereinander an den Lieferanten.
- An der Frontseite des Wechselrichters zwecks sicherem Einbau und Servicezugang einen ausreichenden Abstand einhalten.

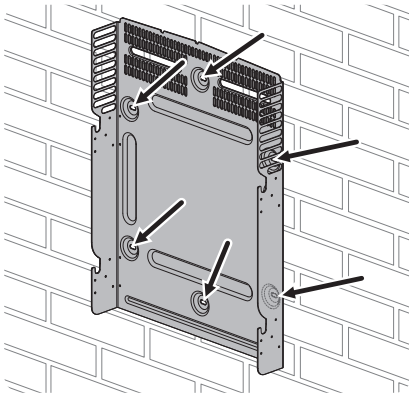


Abbildung 2.10 Montage der Wandhalterung

## 2.3 Montage des Wechselrichters

### VORSICHT

Beim Umgang mit dem Wechselrichter lokale Arbeitsschutzbestimmungen beachten.

### Vorgehensweise:

1. Bügelschrauben M12 und dazu passende Muttern am Wechselrichter befestigen (nicht im Lieferumfang enthalten).
2. Den Wechselrichter anheben.

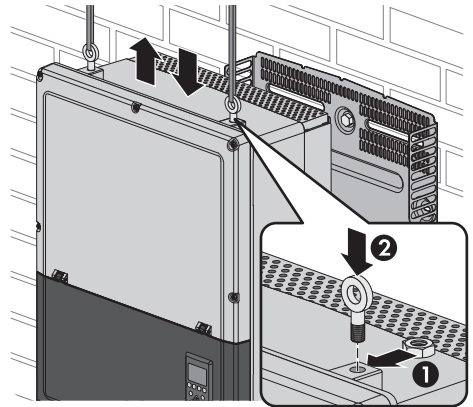


Abbildung 2.11 Bügelschrauben befestigen und Wechselrichter anheben

3. Die Position der Führungsschlitze an der Seite der Wandhalterung bestimmen.
4. Am Wechselrichter die seitlichen Schrauben in die Führungsschlitze der Wandhalterung einsetzen. Dazu den Wechselrichter so schieben, dass die seitlichen Schrauben in die beiden unteren Führungsschlitze und dann in die oberen Schlitze geführt werden.

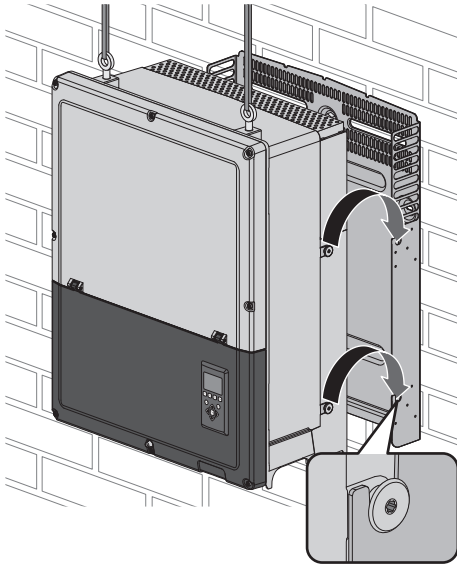


Abbildung 2.12 Den Wechselrichter in die Wandhalterung hängen

5. Darauf achten, dass die vier seitlichen Schrauben sicher in den Führungsschlitzen der Wandhalterung sitzen.
6. Den Wechselrichter loslassen.

## 2.4 Abbau des Wechselrichters

### Vorgehensweise:

1. Der Abbau des Wechselrichters erfolgt in umgekehrter Reihenfolge der Montage.
2. Den Wechselrichter anheben und aus den Führungsschlitzen der Wandhalterung schieben.
3. Den Wechselrichter von der Wandhalterung abheben.

## 2.5 Zugang zum Installationsbereich

### ⚠ GEFAHR

#### Lebensgefährlicher Stromschlag durch spannungsführende DC-Kabel

Die DC-Kabel, die an einer Batterie angeschlossen sind, können unter Spannung stehen. Das Berühren der DC-Leiter oder der spannungsführenden Bauteile verursacht lebensgefährliche Stromschläge.

- Keine freiliegenden Kabelenden berühren.
- Keine spannungsführenden Bauteile berühren.
- Den Wechselrichter und die Batterie ausschließlich von Fachkräften mit entsprechender Qualifikation montieren, installieren und in Betrieb nehmen lassen.
- Alle Sicherheitshinweise des Batterieherstellers einhalten.
- Vor allen Arbeiten am Wechselrichter und an der Batterie den Wechselrichter immer spannungsfrei schalten.
- 5 Minuten vor Arbeiten am Wechselrichter warten.
- Wenn ein Fehler auftritt, den Fehler ausschließlich von Fachkräften beheben lassen.

### ⚠ GEFAHR

#### Trennung des Wechselrichters

Schalten Sie vor Beginn der Arbeiten am Wechselrichter das AC-Netz am Netzschalter und DC über den eingebauten DC-Lasttrennschalter ab. Stellen Sie sicher, dass das Gerät nicht versehentlich wiederangeschlossen werden kann. Überprüfen Sie Mithilfe eines Spannungsprüfers, dass das Gerät abgeschaltet und spannungsfrei ist. Warten Sie nach jeder Trennung vom Stromnetz und von der Batterie mindestens 5 Minuten, bevor Sie fortfahren.

### ⚠ VORSICHT

Die Schutzvorschriften bezüglich elektrostatischer Entladungen beachten. Eventuelle elektrostatische Ladung vor Handhabung von Elektroteilen durch Berühren des geerdeten Gehäuses entladen.

**Vorgehensweise:**

1. Zum Öffnen der Abdeckung die 3 vorderen Schrauben mit einem TX30-Schraubendreher lösen. Die Schrauben sind unverlierbare Schrauben und können nicht herausfallen.
2. Die Abdeckung um 180° anheben. Die Abdeckung wird durch einen Magneten in der geöffneten Position gehalten.

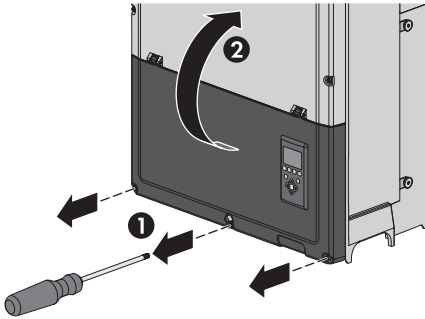


Abbildung 2.13 Vordere Schrauben lösen und Abdeckung anheben

3. Zum Schließen der Abdeckung diese wieder nach unten ziehen und die 3 vorderen Schrauben festziehen.

**2.6 AC-Netzanschluss**

**⚠ GEFAHR**

Diese Anweisungen für den Anschluss an das AC-Netz sind nur für das Fachpersonal bestimmt. Um das Risiko eines elektrischen Schlages zu verringern, dürfen keine Wartungsarbeiten ausgeführt werden, die nicht ausdrücklich in der Anleitung beschrieben sind, außer Sie sind zu deren Ausführung qualifiziert.

**⚠ VORSICHT**

Informationen zu Sicherungen und Fehlerstromschutzeinrichtung (RCD) finden Sie in Kapitel 5, Seite 76. Die AC-Sicherung darf die Strombelastbarkeit der eingesetzten Leiter nicht überschreiten.

**IMI-Erkennung**

Der Wechselrichter verfügt über einen eingebauten Isolationswächter (IMI) und eine Fehlerstromüberwachungseinheit (RCMU).

Der Wechselrichter reagiert auf Fehlergleichströme sowie auf plötzliche Veränderung im Erdschlussstrom. Diese Funktion ist bei Normalbetrieb aktiviert.

**Erkennung des Isolationswiderstands**

Der Wechselrichter hat eine eingebaute Erkennung des Isolationswiderstands. Die Erkennung des Isolationswiderstands führt vor Anschluss an das Stromnetz eine Messung des Widerstands der angeschlossenen Batterie zur Erde durch. Liegt der Widerstand unterhalb des Sollwerts gemäß den Netzanschlussregeln, wartet der Wechselrichter ab und misst den Widerstand nach kurzer Zeit erneut. Liegt der Widerstand über dem Sollwert gemäß den Netzanschlussregeln, führt der Wechselrichter einen Selbsttest durch und wird ans Netz angeschlossen.

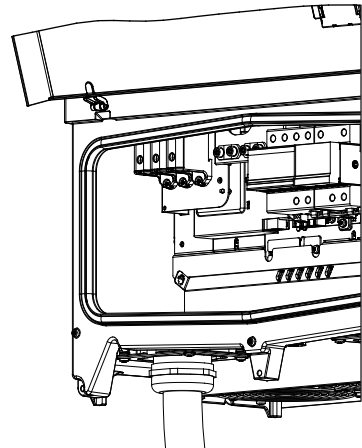


Abbildung 2.14 Installationsbereich

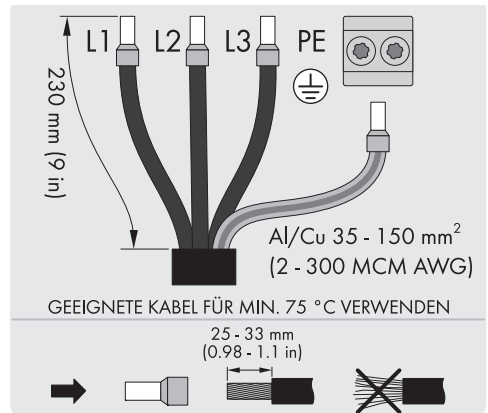


Abbildung 2.15 Abisolierung der AC-Kabel

**HINWEIS**

Für den AC-Anschluss können Kabel mit mehrdrähtigen, fein- oder feinstdrähtigen Leitern eingesetzt werden (siehe Abbildung 2.16). Die Kabel müssen für eine Mindesttemperatur von 75 °C geeignet sein.

Bei dem Einsatz von Kabeln mit fein- oder feinstdrähtigen Leitern müssen für den Anschluss Aderendhülsen verwendet werden.

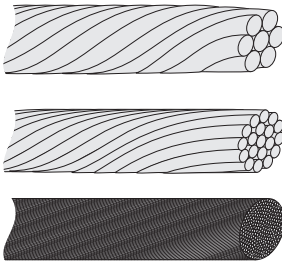


Abbildung 2.16 Kabel mit verschiedenen Leitern (von oben nach unten): mehrdrähtig, feindrähtig und feinstdrähtig

Der Wechselrichter darf nur an ein 3-Phasen-Netz angeschlossen werden.

Am AC-Kabel alle 4 Leiter isolieren. Der Schutzleiter (PE) muss länger als die Netzleiter sein.

1. Prüfen, ob die Nennspannung des Wechselrichters der Netzspannung entspricht.
2. Sicherstellen, dass der Haupttrennschalter geöffnet ist und durch angemessene Schutzmaßnahmen sicherstellen, dass ein Wiedereinschalten nicht möglich ist.
3. Die Frontabdeckung öffnen.
4. Das Kabel durch die AC-Kabelverschraubung zu den Klemmenleisten schieben.
5. Die drei Netzleiter (L1, L2, L3) und den Schutzleiter (PE) entsprechend den Markierungen an die Klemmenleiste anschließen. Der Schutzleiter wird mit dem in Abbildung 2.17 abgebildeten Symbol gekennzeichnet.
6. Optional: Einen zusätzlichen PE-Anschluss an den sekundären PE-Erdungspunkten mit einem externen Erdungsbolzen des Geräts herstellen, der mit dem Wechselrichter geliefert wird. Siehe Abbildung 5.2.

7. Alle Leiter müssen ordnungsgemäß mit dem richtigen Drehmoment befestigt werden. Siehe Kapitel 5.4, Seite 79.

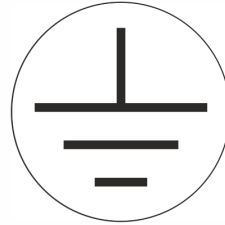


Abbildung 2.17 Symbol für Schutzleiter

**⚠️ WARNUNG**

**GEFAHR DURCH ABLEITSTROM**

Eine unzureichende Erdung des Wechselrichters kann zu schweren Verletzungen oder zum Tode führen.

- Stellen Sie sicher, dass die Geräte korrekt durch einen zertifizierten Elektroinstallateur geerdet werden.

## 2.7 Kabeleinführung

Die Montagehalterungen für die Kabelverschraubungen sind bereits vormontiert.

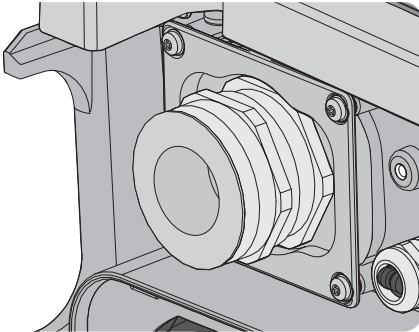


Abbildung 2.18 AC-Kabelverschraubung

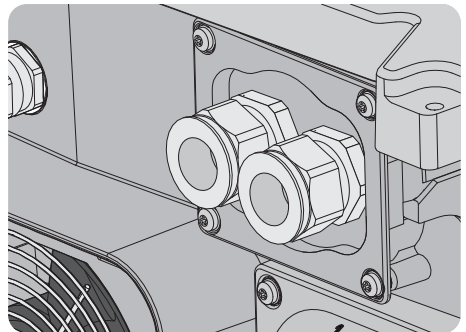


Abbildung 2.19 DC-Kabelverschraubung

Klemme	Bereich <sup>1)</sup>	Leitermaterial	Durchmesser Kabelmantel mit mitgelieferter Kabelverschraubung
AC+PE	35 bis 150 mm <sup>2</sup>	Al/Cu	46 bis 53 mm
DC	35 bis 150 mm <sup>2</sup>	Al/Cu	18 bis 25 mm

Tabelle 2.1 Ausreichende Leiterquerschnitte

<sup>1)</sup> Beachten Sie immer die Strombelastbarkeit der verwendeten Kabel.

## 2.8 Ethernet-Anschlüsse

Achten Sie beim Einsatz im Außenbereich darauf, ein geeignetes Kabel zu verwenden (siehe Kapitel 5.6 „Technische Daten der Kommunikationsschnittstellen“, Seite 80). Wenn das Kabel sehr steif ist, sollte eine Zwischenklemme verwendet werden, um eine größere Biegsamkeit des Kabels zu erreichen, bevor es an den Wechselrichter angeschlossen wird. Bei einigen Kabeln ist es ggf. ausreichend, die äußere harte Ummantelung an dem Teil des Kabels zu entfernen, das in das Wechselrichtergehäuse eingeführt wird. Auf diese Weise werden die auf den Leiterplatten montierten RJ45-Ethernetanschlüsse vor zu starker Beanspruchung geschützt, die zu Schäden oder Problemen mit der Verbindung führen könnte.

Vorgehensweise:

1. Den RJ45-Steckverbinder am Ethernet-Kabel nicht entfernen.

2. Die Kabel über Kabelverschraubungen durch die Unterseite des Wechselrichters führen. Siehe Abbildung 2.20.
3. Einen Einschnitt in die Gummimanschette machen. Die Manschette in die Verschraubung für eine optimale Abdichtung einbringen.
4. In den Ethernet-Steckverbinder stecken.

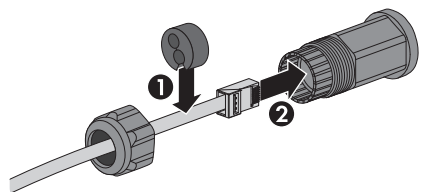


Abbildung 2.20 Kabelführung durch Kabelverschraubungen

## 2.9 DC-Anschluss

### ⚠️ WARNUNG

#### Lebensgefahr durch Feuer bei Kurzschluss

Der Wechselrichter kann einen Kurzschluss nicht von der Batterie trennen. Kurzschluss-Ströme können Brände verursachen.

- Zwischen Wechselrichter und Batterie einen Sicherungslasttrennschalter und eine Schmelzsicherung der Klasse UL Class J installieren, die im Fehlerfall den Kurzschluss-Strom der Batterie sicher abschalten.

### ⚠️ VORSICHT

Der Wechselrichter ist gegen kurzfristige Verpolung geschützt. Wird eine Verpolung nicht korrigiert, führt dies zu einem irreparablen Defekt des Wechselrichters und zum Erlöschen der Garantie.

- Stellen Sie sicher, dass die Kabel korrekt am Wechselrichter angeschlossen sind, damit der Wechselrichter DC-Eingangsspannung einspeisen kann.
- Schließen Sie nur Batterien mit Verpolungserkennung an den Wechselrichter an.

### ⚠️ VORSICHT

Die Batterie ist potenzialfrei, wobei beide Leiter (+) und (-) an die DC-Klemmen des Wechselrichters angeschlossen sind. Kein Leiter ist geerdet.

### ⚠️ VORSICHT

Wird der DC-Lasttrennschalter bei eingeschalteter Batterie eingeschaltet, führt dies zu einem irreparablen Defekt des Wechselrichters und zum Erlöschen der Garantie.

- Vor dem Einschalten des DC-Lasttrennschalters sicherstellen, dass die Batterie ausgeschaltet ist.

Die DC-Leistung kann mit dem im Wechselrichter eingebauten DC-Lasttrennschalter getrennt werden.

### ⚠️ WARNUNG

DC darf NICHT mit Erde verbunden werden!

### ⚠️ WARNUNG

#### Gefahr durch DC-seitigen Erdschluss während des Betriebs

Aufgrund der transformatorlosen Topologie des Produkts kann das Auftreten DC-seitiger Erdschlüsse während des Betriebs zu irreparablen Schäden führen. Schäden am Produkt durch eine fehlerhafte oder beschädigte DC-Installation sind nicht durch die Garantie abgedeckt. Das Produkt ist mit einer Schutzvorrichtung ausgestattet, die ausschließlich während des Startvorgangs prüft, ob ein Erdschluss vorliegt. Während des Betriebs ist das Produkt nicht geschützt.

- Sicherstellen, dass die DC-Installation korrekt durchgeführt ist und kein Erdschluss während des Betriebs auftritt.

### ⚠️ WARNUNG

#### Lebensgefahr durch Feuer und Explosion

In seltenen Einzelfällen kann im Fehlerfall im Inneren des Produkts ein zündfähiges Gasgemisch entstehen. Durch Schaltheandlungen kann in diesem Zustand ein Brand oder eine Explosion ausgelöst werden. Tod oder lebensgefährliche Verletzungen durch Feuer oder wegfliegende Teile können die Folge sein.

- Im Fehlerfall nur die von SMA Solar Technology AG vorgegebenen Abhilfemaßnahmen durchführen (Abhilfemaßnahmen Kapitel 4.1, Seite 68). Wenn keine Abhilfemaßnahmen vorgegeben sind, keine Handlungen am Produkt durchführen. Den Service kontaktieren.
- Sicherstellen, dass Unbefugte keinen Zutritt zum Produkt haben.
- Den AC-Leitungsschutzschalter ausschalten und gegen Wiedereinschalten sichern.
- Die Batterie über eine externe Trennvorrichtung vom Produkt trennen. Nicht den DC-Lasttrennschalter am Produkt betätigen.

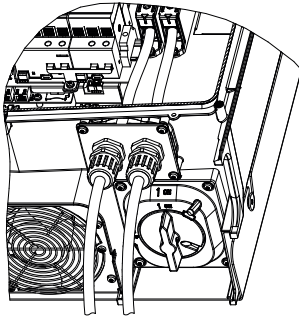


Abbildung 2.22 DC-Anschlussbereich

**HINWEIS**

Für den DC-Anschluss können Kabel mit mehrdrähtigen, fein- oder feinstdrähtigen Leitern eingesetzt werden (siehe Abbildung 2.23). Die Kabel müssen für eine Mindesttemperatur von 75 °C geeignet sein.

Bei dem Einsatz von Kabeln mit fein- oder feinstdrähtigen Leitern müssen für den Anschluss Aderendhülsen verwendet werden.

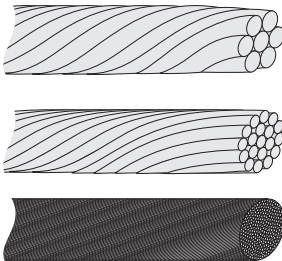


Abbildung 2.23 Kabel mit verschiedenen Leitern (von oben nach unten): mehrdrähtig, feindrähtig und feinstdrähtig

1. Den DC-Lasttrennschalter am Wechselrichter auf Aus stellen.
2. Die DC-Kabel an den Wechselrichter anschließen. Dabei die richtige Polarität beachten.
3. Alle Leiter müssen ordnungsgemäß mit dem richtigen Drehmoment befestigt werden (siehe Kapitel 5.4, Seite 79).

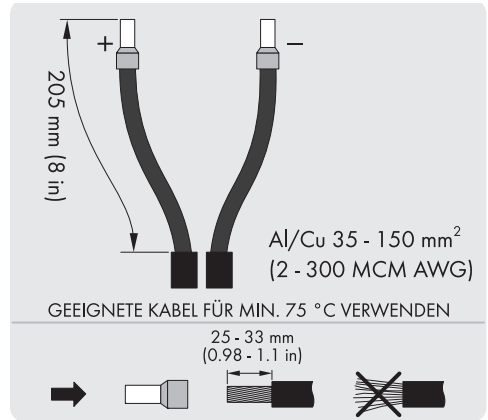


Abbildung 2.27 DC Aufkleber

## 2.10 Schließen

1. Die Abdeckung des Installationsbereichs des Wechselrichters schließen. Die 3 vorderen Schrauben festziehen (siehe Kapitel 5.4, Seite 79).
2. AC zuschalten.

## 3 Ersteinrichtung und Start

### 3.1 Benutzerschnittstelle

Die Benutzerschnittstelle besteht aus folgenden Elementen:

- Lokales Display, für alle Wechselrichtervarianten. Das lokale Display zeigt Statusinformationen des Wechselrichters. Die Konfiguration oder Einrichtung des Wechselrichters über das Display ist nicht möglich. Das „#“ im Display erklärt die Betriebsarten.
- Lokales Inbetriebnahme- und Service-Tool (LCS-Tool). Das LCS-Tool ermöglicht die Konfiguration eines oder mehrerer Wechselrichter.

#### 3.1.1 Betriebsarten

Der Wechselrichter hat 5 Betriebsarten, die durch LEDs angezeigt werden.

Status	LEDs	LEDs
Off grid (vom Netz)	Grün	- - - - -
	Rot	- - - - -
Connecting (verbinden mit dem Netz)	Grün	■ ■ ■ ■ ■
	Rot	- - - - -



Status	LEDs	LEDs
On grid (am Netz)	Grün	██████████
	Rot	-----
Internal inverter event (Internes Wechselrichterereignis)	Grün	███
	Rot	-----
Fail safe (Betriebshemmung)	Grün	-----
	Rot	███

Tabelle 3.1 Betriebsarten

**Off grid** (LEDs aus)

#0-51

Unter bestimmten Betriebsbedingungen trennt sich der Wechselrichter selbstständig vom Netz und schaltet sich ab. Die Benutzer- und Kommunikationsschnittstellen werden zu Kommunikationszwecken weiter mit Strom versorgt.

**Connecting** (Grüne LED blinkt)

#52-53

Der Wechselrichter läuft an, wenn die DC-Eingangsspannung die DC-Startspannung erreicht. Der Wechselrichter führt eine Reihe interner Selbsttests durch, einschließlich einer Messung des Widerstands zwischen der DC-Seite und Erde. In der Zwischenzeit werden auch die Netzparameter überwacht. Wenn die Netzparameter während des erforderlichen Zeitraums innerhalb der Spezifikationen liegen (abhängig vom Grid-Code und den vor Ort gültigen Normen und Richtlinien), beginnt der Wechselrichter den Betrieb am öffentlichen Stromnetz.

**On grid** (Grüne LED leuchtet)

#60

Der Wechselrichter ist an das AC-Netz angeschlossen und speist in dieses ein. Der Wechselrichter trennt sich in folgenden Fällen vom Netz:

- Der Wechselrichter erkennt abnormale Netzbedingungen (abhängig vom Grid-Code).
- Ein internes Ereignis tritt auf.
- Betriebsbedingt.

**Internal inverter event** (Grüne LED blinkt)

#54

Der Wechselrichter wartet auf einen internen Zustand innerhalb der Grenzwerte (zum Beispiel wegen einer zu hohen Temperatur), bevor er wieder ans Netz geht.

**Fail safe** (Rote LED blinkt)

#70

Wenn der Wechselrichter beim Selbsttest (in der Betriebsart „Connecting“) oder während des Betriebs einen Schaltkreisfehler feststellt, schaltet er in die Betriebsart „Fail safe“ und wird vom Netz getrennt. Der Wechselrichter verbleibt in der Betriebsart „Fail safe“, bis die DC-Leistung zehn Minuten lang ausbleibt oder der Wechselrichter vollständig abgeschaltet wird (AC+DC).

### 3.2 Display

**i HINWEIS**

Es kann einige Zeit dauern, bis das Display nach dem Einschalten anspricht.

Der Benutzer hat über das integrierte Display auf der Vorderseite des Wechselrichters Zugang zu Informationen zum Wechselrichter.



Abbildung 3.1 Display mit Steuer- und Funktionstasten

Taste	Funktion
F1	Anpassen der Kontraststufe des Displays. Pfeil-nach-oben/ unten-Taste verwenden, solange die F1-Taste gedrückt ist.

Taste	Funktion
F2	Ohne Funktion
F3	
F4	
Home	Zurück zum Hauptfenster
OK	Ohne Funktion
Pfeil nach oben	Einen Schritt nach oben
Pfeil nach unten	Einen Schritt nach unten
Pfeil nach rechts	Wechselt zum rechten Bildbereich
Pfeil nach links	Wechselt zum linken Bildbereich
Back	Zurück zum Hauptfenster
On – Grüne LED	
Alarm – Rote LED	

Tabelle 3.2 Display mit Steuer- und Funktionstasten

Der Bildschirm-Aufbau ist in verschiedene Abschnitte unterteilt:

- Hauptbildschirm. Strom und täglicher Ertrag. Dieser Abschnitt enthält:
  - Ist-Ausgangsleistung (kW)
  - Tagesenergie (kWh)
  - Gesamtenergie (kWh)
  - Aktuelles Datum
  - Aktuelle Zeit
  - Betriebsart (#)
- Informationen zum Wechselrichter. Dieser Abschnitt enthält:
  - Gerätetyp des Wechselrichters
  - Name des Wechselrichters
  - Seriennummer des Wechselrichters
  - IP-Adresse
  - Seriennummer des SMA Inverter Manager
  - Software-Version des Wechselrichters
- Ist-Werte. Dieser Abschnitt enthält:
  - DC-Spannung und Strom
  - Spannungen Phase-Phase
  - Phasenströme
  - Netzfrequenz

### 3.2.1 Ersteinrichtung über LCS-Tool

Der Wechselrichter und der SMA Inverter Manager müssen über das lokale Inbetriebnahme- und Service-Tool (LCS-Tool) in Betrieb genommen werden. Die Inbetriebnahme ist erforderlich, bevor der Wechselrichter an das AC-Netz angeschlossen wird und einspeist.

Das LCS-Tool ermöglicht die Auswahl vordefinierter Länderdatensätze für verschiedene Netze.

Kundenspezifische Länderdatensätze können über SMA bereit gestellt und über das LCS-Tool eingespielt werden (siehe Installationsanleitung des SMA Inverter Manager / LCS-Tool).

Nach der Installation alle Kabel prüfen und den Wechselrichter schließen.

AC zuschalten.

#### ⚠️ WARNUNG

Die korrekte Auswahl des Grid-Codes ist wichtig, um die lokalen und nationalen Standards einzuhalten.

Es ist möglich kundenspezifische Grid-Code-Dateien mit angepassten Einstellwerten zu erstellen (s. Kapitel 3.2.4).

### 3.2.2 DC-Lasttrennschalter einschalten

#### ⚠️ VORSICHT

Wird der DC-Lasttrennschalter bei eingeschalteter Batterie eingeschaltet, führt dies zu einem irreparablen Defekt des Wechselrichters und zum Erlöschen der Garantie.

- Vor dem Einschalten des DC-Lasttrennschalters sicherstellen, dass die Batterie ausgeschaltet ist.

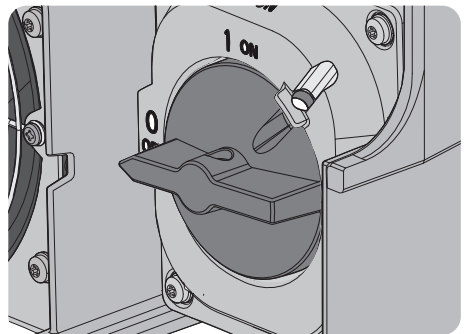


Abbildung 3.2 DC-Lasttrennschalter

Den DC-Lasttrennschalter am Wechselrichter einschalten.

### 3.2.3 Inbetriebnahme

Der Wechselrichter startet automatisch. Die Batterie wird über den SMA Inverter Manager aktiviert. Die Inbetriebnahme dauert einige Minuten. In dieser Zeit führt der Wechselrichter eine Selbsttestfunktion durch.

#### HINWEIS

Der Wechselrichter ist gegen kurzfristige Verpolung geschützt. Der Wechselrichter erzeugt erst Einspeiseleistung, wenn verdrehte Verpolung korrigiert wurde.

#### VORSICHT

Eine länger andauernde Verpolung führt zu einem Defekt des Wechselrichters und somit zum Erlöschen der Garantie.

- Stellen Sie sicher, dass die Kabel korrekt am Wechselrichter angeschlossen sind.

### 3.2.4 Grid-Code-Datei

#### HINWEIS

Wenn der gewünschte Grid-Code nicht verfügbar ist oder das LCS-Tool eine Warnung wegen inkompatibler Softwareversionen anzeigt, müssen der Grid-Code und die Softwarebibliothek auf dem LCS-Tool aktualisiert werden.

Es ist möglich kundenspezifische Grid-Code-Dateien mit angepassten Einstellwerten zu erstellen. Nehmen Sie hierzu Kontakt mit SMA Solar Technology AG auf.

### 3.2.5 Fallback konfigurieren

Wird die Kommunikation zwischen dem Wechselrichter und dem SMA Inverter Manager unterbrochen, geht der Wechselrichter in einen vorher definierten Betriebszustand (Fallback). Der gewünschte Betriebszustand bei Kommunikationsabbruch lässt sich mit der kundenspezifischen Grid-Code-Datei oder über das LCS-Tool aktivieren und konfigurieren. Für die Konfiguration des übergeordneten Anlagenfallbacks zwischen dem SMA Inverter Manager und einer übergeordneten Regelungseinheit (z. B. SCADA-System oder Power Plant Controller) siehe Installationsanleitung des SMA Inverter Manager / LCS-Tool.

#### HINWEIS

Beachten Sie die Vorgaben Ihres Energieversorgungsunternehmens.

## 4 Service

### 4.1 Fehlersuche und -behebung

Die Informationen werden in Tabellen aufgelistet und zeigen die Meldungen an, die im LCS-Tool erscheinen und als Ereignisse bekannt sind. Die Tabellen enthalten Beschreibungen von Ereignissen sowie Erklärungen, welche Maßnahmen im Falle von Ereignissen zu ergreifen sind.

Eine Liste mit den Ereignissen der Batterie kann beim Batteriehersteller eingesehen werden.

Ereignistyp	Zeigt an, ob das Ereignis der Kategorie Grid, DC, Internal oder Fail safe zuzurechnen ist.
ID	Die spezifische Ereignis-ID.
Display	Im Display angezeigter Text.
Beschreibung	Beschreibung des Ereignisses.
Maßnahme	Beschreibung der zu ergreifenden Maßnahme, bevor Dritte involviert werden.
VNB	Wenn die Fehlfunktion nicht durch die empfohlene Maßnahme identifiziert werden konnte, wenden Sie sich an den VNB.
Hotline	Wenn die Fehlfunktion durch die empfohlene Maßnahme nicht identifiziert werden konnte, wenden Sie sich an den Service (siehe Kapitel 6 „Kontakt“, Seite 82).
DC	Wenn die Fehlfunktion durch die empfohlene Maßnahme nicht identifiziert werden konnte, wenden Sie sich an den Batteriehersteller.

#### Netzbezogene Ereignisse

ID	Statusmeldung	Beschreibung	Maßnahme	VNB	Hotline	DC
1-6		Netzspannung zu niedrig.	Spannung und AC-Installation überprüfen. Ist die Spannung gleich Null, prüfen Sie die Sicherungen.	x	-	-
7-9		Durchschnittliche Netzspannung 10 Minuten lang zu hoch.	Prüfen, ob die Installation entsprechend der Installationsanleitung durchgeführt wurde. Fordern Sie in diesem Fall eine neue Grid-Code-Datei mit erhöhter Spannungsgrenze oder Blindleistung zur Spannungsunterdrückung an.	x	-	-
10-15		Netzspannung zu hoch.	Spannung und AC-Installation überprüfen.	x	-	-
16-18		Der Wechselrichter hat eine Spannungsspitze im Netz gemessen.	Spannung und AC-Installation überprüfen.	x	-	-
19, 22		Netzfrequenz zu niedrig oder zu hoch.	Netzfrequenz überprüfen.	x	-	-

ID	Statusmeldung	Beschreibung	Maßnahme	VNB	Hotline	DC
28-30		Netzfrequenzänderung überschritten.	Netzfrequenzabweichung überprüfen.	x	-	-
31-33		Gleichstromanteil im AC-Netz zu hoch.	Bei wiederholten täglichen Vorfällen eine Vor-Ort-Netzanalyse durchführen.	-	x	-
34-37		FI-Überwachungsgerät (RCMU) hat Überstrom gemessen.	DC- und AC-Versorgung abschalten und warten, bis sich das Display ausschaltet. Anschließend DC- und AC-Versorgung einschalten und prüfen, ob das Ereignis erneut eintritt. Sichtprüfung sämtlicher DC-Kabel und -Module durchführen.	-	x	-
40	AC-Netz nicht konform	AC-Netz liegt länger als zehn Minuten außerhalb des zulässigen Bereichs (Frequenz und/oder Spannung).	Netzfrequenz, Netzspannung, Softwareversion und Grid-Code-Einstellung prüfen.	x	-	-
41-43		Fault Ride Through. Der Wechselrichter hat festgestellt, dass die Netzspannung unter oder über einem bestimmten Niveau liegt.	Wenn dieses Ereignis mehrmals täglich eintritt, führen Sie eine Vor-Ort-Netzanalyse durch.			
48, 51		Netzfrequenz zu niedrig oder zu hoch.	Netzfrequenz und AC-Installation prüfen.	x	-	-
54-56		Gleichstromanteil im AC-Netz zu hoch (Stufe 2).	Bei wiederholten täglichen Vorfällen eine Vor-Ort-Netzanalyse durchführen.	x	-	-
61		Netzausfall, offene Phase erkannt.	Den zuständigen Netzbetreiber kontaktieren, wenn das Ereignis mehrmals innerhalb eines Tages auftritt.	x	-	-
62		Netzausfall.	Den zuständigen Netzbetreiber kontaktieren, wenn das Ereignis mehrmals innerhalb eines Tages auftritt.	x	-	-
64-81		Netzspannung an Phase zu niedrig.	Spannung und AC-Installation überprüfen. Ist die Spannung gleich Null, prüfen Sie die Sicherungen.	x	-	-

Tabelle 4.1 Netzbezogene Ereignisse

## Batteriebezogene Ereignisse

ID	Statusmeldung	Beschreibung	Maßnahme	VNB	Hotline	DC
115, 260	DC ISO zu niedrig	Der Widerstand zwischen den DC-Anschlüssen und der Erde (PE) ist für die Inbetriebnahme des Wechselrichters zu niedrig. Nach 10 Minuten führt der Wechselrichter automatisch eine neue Messung durch.	Sämtliche DC-Kabel und die Batterie per Sichtprüfung auf korrekte Installation gemäß Installationsanleitung prüfen. Das Ereignis deutet möglicherweise darauf hin, dass der PE-Anschluss fehlt. <b>Warnung:</b> Ein wiederholtes Auftreten dieser Meldung an mehreren Tagen in Folge deutet auf ein generelles Problem in der DC-Isolation hin. In diesem Fall ist eine umfassende Prüfung der Isolation notwendig, da auch ein plötzlicher Erdschluss während des Betriebs nicht ausgeschlossen werden kann. <b>Warnung:</b> Ein Erdschluss während des Betriebs kann das Gerät vollständig zerstören.	-	x	x
258	DC-Spannung zu hoch/wartend	DC-Spannung ist zu hoch.	Prüfen, ob die Batterie-Installation und die -Auslegung den Empfehlungen in den Handbüchern entsprechen.	-	x	x
278		DC-Spannung ausdrückliche Warnung.	Prüfen, ob die Batterie-Installation und die -Auslegung den Empfehlungen in den Handbüchern entsprechen.	-	x	x
400	Charge current exceeded high limit	Ladestrom ist zu hoch.	Batteriemanagementsystem prüfen.	-	-	x
401	Discharge current exceeded high limit	Entladestrom ist zu hoch.	Batteriemanagementsystem prüfen.	-	-	x
402	DC voltage exceeded high limit	DC-Spannung ist zu hoch.	Batteriemanagementsystem prüfen.	-	-	x
403	DC voltage exceeded low limit	DC-Spannung ist zu gering.	Batteriemanagementsystem prüfen.	-	-	x

ID	Statusmeldung	Beschreibung	Maßnahme	VNB	Hotline	DC
491	Inverter lost communication from battery	Kommunikationsfehler	Verkabelung überprüfen.	-	x	x
492	not defined	Formatierung der gesendeten Parameter der Batterie ist nicht kompatibel.	Batteriehersteller kontaktieren.	-	-	x

Tabelle 4.2 Batteriebezogene Ereignisse

### Systembezogene Ereignisse

ID	Statusmeldung	Beschreibung	Maßnahme	VNB	Hotline	DC
2000		Kommunikationsbaugruppe fährt hoch.	-	-	-	-
2010, 2011		Das Software-Update des Hauptrechners wurde gestartet / ist beendet.	-	-	-	-
2012 - 2018		Das Software-Update ist fehlgeschlagen.	Software-Update erneut beginnen. Falls Fehler beim Update auftreten, kontaktieren Sie den Service.	-	x	-
2030		Die Übermittlung des Grid-Codes an den Hauptrechner ist fehlgeschlagen.	Wenn dieses Ereignis öfter auftritt, kontaktieren Sie den Service.	-	x	-
2050		Ethernet-Verbindung ist aktiv	Keine Maßnahme notwendig. Dieser Fehler dient beispielsweise dazu, schlechte Ethernet-Kabel zu identifizieren.	-	-	-
2051		Ethernet-Verbindung ist getrennt.	Keine Maßnahme notwendig. Dieser Fehler dient beispielsweise dazu, schlechte Ethernet-Kabel zu identifizieren.	-	-	-
2052, 2053		Die Übermittlung des Grid-Codes vom SMA Inverter Manager zum Wechselrichter wurde gestartet / beendet.	-	-	-	-
2054		Die Übermittlung des Grid-Codes vom SMA Inverter Manager zum Wechselrichter ist fehlgeschlagen.	Wenn dieses Ereignis öfter auftritt, kontaktieren Sie den Service.	-	-	-

ID	Statusmeldung	Beschreibung	Maßnahme	VNB	Hotline	DC
2055	Fallback eingeschaltet	Der Wechselrichter ist in den Fallback-Modus gewechselt, nachdem die Kommunikation mit dem SMA Inverter Manager unterbrochen wurde.		-	-	-
2056	Fallback beendet	Der Wechselrichter ist wieder in den Normalbetrieb übergegangen, nachdem er sich aufgrund einer Kommunikationsstörung mit dem SMA Inverter Manager im Fallback-Modus befand.		-	-	-

Tabelle 4.3 Systembezogene Ereignisse

### Interne Ereignisse

ID	Statusmeldung	Beschreibung	Maßnahme	VNB	Hotline	DC
201-208		Die Innentemperatur des Wechselrichters ist zu hoch.	Überprüfen Sie, dass keine Gegenstände oder Staub auf dem Wechselrichter liegen und prüfen Sie, ob die Lüftungskanäle frei und nicht verstopft sind.	-	x	-
209, 210		Zu hohe Spannung im DC-Zwischenkreis.	Wenn das Ereignis andauert, den Wechselrichter durch Trennung der DC- und AC-Versorgung zurücksetzen. Wenn sich das Ereignis wiederholt, über das Display prüfen, ob die DC-Spannung den Höchstwert überschreitet.	-	x	-
211	Lüfterdrehzahl niedrig	Die Lüfterdrehzahl ist zu niedrig.	Prüfen, ob der Lüfter des Wechselrichters blockiert ist.	-	x	-
213-215		Interner Fehler. Gemessene Spannung vor und hinter dem Relais weicht zu sehr ab.	Den Service kontaktieren.	-	x	-
216-218		Zu hoher gemessener Strom auf der AC-Seite.	Den Service kontaktieren.	-	x	-
219-221		Interner Fehler. Gemessene Spannung vor und hinter dem Relais weicht zu sehr ab.	Den Service kontaktieren.	-	x	-
225-240, 275		Störung im Speicher/EEPROM.	Wechselrichter neu starten. Wenn das Ereignis andauert, den Service kontaktieren.	-	x	-



ID	Statusmeldung	Beschreibung	Maßnahme	VNB	Hotline	DC
241, 242, 245, 249		Interner Kommunikationsfehler.	Wechselrichter neu starten. Wenn das Ereignis andauert, den Service kontaktieren.	-	x	-
248		Interner CPU-Fehler.	Wechselrichter neu starten. Wenn das Ereignis andauert, den Service kontaktieren.	-	x	-
252- 254		Zu hoher gemessener Strom auf der AC-Seite.	Wenn sich das Ereignis wiederholt, den Service kontaktieren.	-	x	-
243, 263		Interner Fehler.	Wechselrichter neu starten. Wenn das Ereignis andauert, den Service kontaktieren.	-	x	-
279		Fehler des Temperaturfühlers	Wenn das Ereignis andauert, den Service kontaktieren.	-	x	-
280		Selbsttest 24-Stunden-Timeout Der Selbsttest muss mindestens einmal in 24 Stunden laufen.	Keine.	-	-	-
281		Zu viele RCMU-Ereignisse in den letzten 24 Stunden. Innerhalb von 24 Stunden sind nach einem Ereignis 34 nur 4 automatische Wiederzuschaltversuche zulässig. Der Wechselrichter versucht automatisch die Wiederzuschaltung nach einem bestimmten Zeitraum.	Bis zu 24 Stunden warten. Wenn das Ereignis 34 wieder auftritt, die Maßnahme für Ereignis 34 befolgen.	-	x	-
282		Grid-Code-Einstellungen ungültig.	Wechselrichter neu starten. Wenn der Fehler weiterhin auftritt, bitten Sie die Serviceabteilung um die Erstellung einer neuen Grid-Code-Datei bzw. die erneute Auswahl eines Standard-Grid-Codes.	-	x	-
283		Gatedrive-Fehler.	Wechselrichter neu starten. Wenn das Ereignis andauert, den Service kontaktieren.	-	x	-
323		Fehler des internen Lüfters. Maximale Ausgangsleistung wurde reduziert.	Wenn sich das Ereignis wiederholt, den Service kontaktieren.	-	x	-

Tabelle 4.4 Interne Ereignisse

## Durch den Selbsttest erzeugte Ereignisse

ID	Beschreibung	Maßnahme	VNB	Hotline	DC
100	DC-Eingangstrom ist negativ. Sensorfehler.	Polarität der Batterie prüfen, wenn diese korrekt ist, mit dem Service in Verbindung setzen.	-	x	-
264	Messkreistest fehlgeschlagen.	Wenn das Ereignis andauert, den Service kontaktieren.	-	x	-
266	Messkreistest fehlgeschlagen.	<b>Warnung:</b> Nicht den DC-Lasttrennschalter des Wechselrichters betätigen. Abschalten der DC-Spannung über einen DC-Lasttrennschalter in der Combiner Box ist weiterhin möglich. Keine weiteren Aktionen oder Schalthandlungen am Wechselrichter durchführen. Sofort den Service kontaktieren.	-	x	x
272	DC-Überspannungsschutzgerät-Fehler. Wechselrichter läuft weiter ohne Überspannungsschutz.	DC-Überspannungsschutzgerät austauschen. Details entnehmen Sie den Anweisungen zum SPD-Austausch.	-	x	-
273	AC-Netz-Überspannungsschutzgerät-Fehler. Wechselrichter läuft weiter ohne Überspannungsschutz.	AC-Netz-Überspannungsschutzgerät austauschen. Details entnehmen Sie den Anweisungen zum SPD-Austausch.	-	x	-
274	Status des Überspannungsschutzgerätes unbekannt.	Wechselrichter neu starten. Wenn das Ereignis andauert, den Service kontaktieren.	-	x	-
350- 352	Selbsttest der Fehlerstromüberwachungseinheit (RCMU) fehlgeschlagen.	Den Service kontaktieren.	-	x	-
353	Stromsensortest fehlgeschlagen.	Den Service kontaktieren.	-	x	-
356- 361	Transistor- und Relais-Test fehlgeschlagen, oder Wechselrichterrelais defekt (Kontakt vermutlich geschweißt).	<b>Warnung:</b> Nicht den DC-Lasttrennschalter des Wechselrichters betätigen. Abschalten der DC-Spannung über einen DC-Lasttrennschalter in der Combiner Box ist weiterhin möglich. Keine weiteren Aktionen oder Schalthandlungen am Wechselrichter durchführen. Sofort den Service kontaktieren.	-	x	-
366	Selbsttest der Fehlerstromüberwachungseinheit (RCMU) fehlgeschlagen.	Den Service kontaktieren.	-	x	-

Tabelle 4.5 Durch den Selbsttest erzeugte Ereignisse

## 4.2 Wartung

Sicherstellen, dass der Kühlkörper an der Rückseite des Wechselrichters nicht verdeckt wird.

Für korrekten Betrieb und eine lange Lebensdauer an folgenden Stellen freie Luftzirkulation sicherstellen:

- rund um den Kühlkörper oben und seitlich am Wechselrichter (dort tritt die Luft aus) und
- zum Lüfter an der Unterseite des Wechselrichters hin.

Um Verstopfungen zu entfernen, mit Druckluft, einem weichen Tuch oder einer Bürste reinigen.

### **⚠ WARNUNG**

Die Temperatur des Kühlkörpers kann 70 °C überschreiten.

## 5 Technische Daten

### 5.1 Spezifikationen

Parameter	STPS60-10
<b>AC</b>	
Bemessungsleistung bei Nennspannung	75000 W
Maximale AC-Scheinleistung	75000 VA
Maximale Blindleistung	75000 var
AC-Nennspannung	3 / PE; 400 V $\pm$ 10 %
AC-Spannungsbereich	360 V bis 530 V
Max. Ausgangsstrom	109 A
AC-Klirrfaktor (THD, bei Ausgangsnennleistung)	$\leq$ 1%
Leistungsfaktor bei Bemessungsleistung	1
Leistungsfaktor bei Bemessungsleistung / Verschiebungsfaktor einstellbar	1 / 0 übererregt bis 0 untererregt
Stromverbrauch im Standby-Modus (für die Kommunikation)	< 3 W
AC-Netzfrequenz / Bereich	50 Hz / 44 Hz bis 55 Hz 60 Hz / 54 Hz bis 65 Hz
Einspeisephasen / Anschlussphasen	3 / 3
<b>DC</b>	
Maximale Ladeleistung	60000 W
DC-Spannungsbereich	570 V bis 1000 V
Max. Eingangsstrom bei 660 V	140 A
Überspannungskategorien	AC: Überspannungskategorie III (OVC III), DC: Überspannungskategorie II (OVC II)
Integrierbarer DC-Überspannungsableiter / AC-Überspannungsableiter	Typ II / Typ II + III (kombiniert)
<b>Wirkungsgrad</b>	
Max. Wirkungsgrad	98,8 %
<b>Gehäuse</b>	
Abmessungen (H x B x T)	740 x 570 x 306 mm
Gewicht	77 kg
Geräuschbelastung	58 dB(A) (typisch)

Tabelle 5.1 Spezifikationen

Parameter	STPS60-10
<b>Schutzklasse (nach IEC 62109-1)</b>	I
<b>Elektrisch</b>	
Elektrische Sicherheit	<ul style="list-style-type: none"> <li>• IEC 62109-1/IEC 62109-2 (Klasse I, geerdet – Kommunikation Teil Klasse II, PELV)</li> </ul>
<b>Funktional</b>	
Funktionale Sicherheit	<ul style="list-style-type: none"> <li>• Spannungs- und Frequenzüberwachung</li> <li>• Überwachung des Gleichstromanteils im Wechselstrom</li> <li>• Überwachung des Isolationswiderstands</li> <li>• FI-Überwachung</li> </ul>
Inselbetriebserkennung – Netzausfall	<ul style="list-style-type: none"> <li>• Aktive Frequenzverschiebung</li> <li>• Trennung</li> <li>• Dreiphasenüberwachung</li> <li>• ROCOF/SFS</li> </ul>
RCD-Kompatibilität <sup>1)</sup>	Typ B, 1000 mA

Tabelle 5.2 Sicherheitsspezifikationen

<sup>1)</sup> Je nach regionalen Vorschriften.

## 5.2 Konformität

Internationale Normen	STPS60-10
Wirkungsgrad	Spitzenwirkungsgrad, Standard: EN 50530
EC-Niederspannungsrichtlinie	2014/35/EU
EC-Richtlinie zur elektromagnetischen Verträglichkeit (EMV)	2014/30/EU
Sicherheit	EN 62109-1:2010/EN 62109-2:2011
Funktionale Sicherheit	EN 62109-2:2011
EMV, Störfestigkeit	EN 61000-6-2:2005
EMV, Störaussendung	EN 55011:2016 Group 1, Class A
Oberschwingungsströme	EN 61000-3-12
CE	Ja
Eigenschaften des Versorgungsnetzes	IEC 61727
	EN 50160

## 5.3 Installationsbedingungen

Parameter	Spezifikation
Betriebstemperaturbereich	-25 °C bis 60 °C*
Lagertemperatur	-30 °C bis 60 °C
Max. Temperatur für Installation und Wartung	45 °C
Maximal zulässiger Wert für relative Luftfeuchtigkeit (nicht kondensierend)	95 %
Verschmutzungsgrad	PD2
Umweltkategorie IEC 62109-1	Außenbereich, nass (Details siehe Kapitel 2, Seite 56)
Umgebungsklassifizierung gemäß IEC 60721-3-4	4K4H/4Z4/4B2/4S3/4M2/4C2
Kühlkonzept	Zwangskühlung
Luftqualität – Allgemein	ISA S71.04-1985 Klasse G3 (bei 75 % rF)
Luftqualität – an der Küste, in Industriegebieten und landwirtschaftlichen Regionen	Muss gemäß ISA S71.04-1985 gemessen und eingestuft werden: G3 (bei 75 % rF)
Vibrationen	< 1G
Gehäuseschutzklasse	IP65
UL 50E Gehäuse-Typ	NEMA 3R
Max. Betriebshöhe über NHN (Normalhöhenull)	2000 m über dem Meeresspiegel (ab einer Höhe von 1000 m kann es zu einer Leistungsreduzierung kommen).**
Installation	Ständigen Kontakt mit Wasser vermeiden. Direkte Sonneneinstrahlung vermeiden. Ausreichende Luftströmung sicherstellen. Auf nicht entflammbarer Oberfläche montieren. Gerade auf vertikaler Oberfläche einbauen. Staub und Ammoniakgase vermeiden.

\* Mögliche Leistungsreduzierung über 45 °C (für weitere Informationen siehe Technische Information „Wirkungsgrade und Derating“)

\*\* Aufstellung in Höhen > 2000 m sind auf Anfrage möglich, hierzu SMA Solar Technology AG kontaktieren.

Tabelle 5.6 Installationsbedingungen

## 5.4 Drehmomentspezifikationen

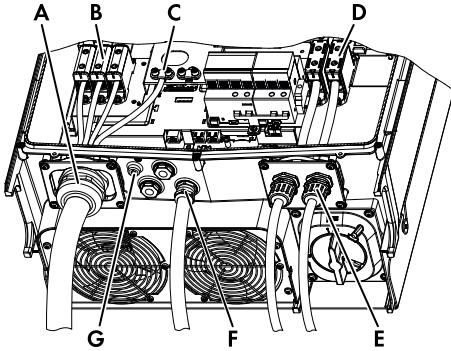


Abbildung 5.2 Überblick über Wechselrichter mit Drehmomentvorgaben

	Parameter	Werkzeug	Anzugsdrehmoment
A	M63-Kabelverschraubung	Schraubenschlüssel 65/68 mm	6 Nm
	Überwurfmutter für M63-Kabelverschraubung	Schraubenschlüssel 65/68 mm	3 Nm
B	Klemmen am AC-Anschluss	HX 8	20 Nm (Durchmesser Kabelmantel = 35 bis 95 mm); 30 Nm (Durchmesser Kabelmantel = 96 bis 150 mm)
C	Primärer Schutzleiter (sekundärer Schutzleiter direkt rechts davon)	TX 30	3,9 Nm
D	DC-Anschlussklemmen	HX 8	20 Nm (Durchmesser Kabelmantel = 35 bis 95 mm); 30 Nm (Durchmesser Kabelmantel = 96 bis 150 mm)
E	M32-Kabelverschraubung	Schraubenschlüssel 42 mm	6 Nm
	Überwurfmutter für M32-Kabelverschraubung	Schraubenschlüssel 42 mm	1,8 Nm
F	M25-Kabelverschraubung	Schraubenschlüssel 33 mm	4 Nm
	Überwurfmutter für M25-Kabelverschraubung	Schraubenschlüssel 33 mm	1,8 Nm
G	M6 Geräte-Erdung (Potentialausgleichsklemme)	TX 20	3,9 Nm
	Vordere Schrauben (nicht abgebildet)	TX 30	1,5 Nm

Tabelle 5.7 Anzugsdrehmomente

## 5.5 Spezifikation für die Netzsicherungen

Parameter	Spezifikation
Maximaler Wechselrichterstrom, $I_{ocmax}$	109 A
Zu verwendender Typ der Schmelzsicherung gR (IEC 60269-1)	160 A
Zu verwendender Leitungsschutzschalter (MCB) Typ B oder C	160 A
Maximale Sicherungsgröße	160 A

Tabelle 5.8 Spezifikation für die Netzsicherungen



### HINWEIS

Örtliche Vorschriften beachten.

## 5.6 Technische Daten der Kommunikationsschnittstellen

Schnittstelle	Parameter	Parameterdetails	Spezifikation
Ethernet	Kabel	Durchmesser Kabelmantel ( $\varnothing$ )	2 x 5 bis 7 mm
		Kabeltyp	STP-Kabel (Shielded Twisted Pair, CAT 5e oder SFTP CAT 5e) <sup>1)</sup>
		Wellenwiderstand (Impedanz) der Kabel	100 $\Omega$ bis 120 $\Omega$
		RJ45-Steckverbinder: 2 Stck. RJ45 für Ethernet	Drahtstärke
		Kabelschirmabschluss	Über RJ45-Stecker
	Galvanische Schnittstellentrennung		Ja, 500 Veff
	Direkter Berührungsschutz	Doppelte/verstärkte Isolierung	Ja
	Kurzschlusschutz		Ja
	Kommunikation	Netzwerktopologie	Stern-, Ring- und verkettete Verbindung
	Kabel	Max. Kabellänge zwischen Wechselrichtern	100 m
	Max. Anzahl der Wechselrichter	Pro SMA Inverter Manager	20

Tabelle 5.9 Technische Daten der Kommunikationsschnittstellen

<sup>1)</sup> (siehe Kapitel 2.8 „Ethernet-Anschlüsse“, Seite 62)



## 5.7 Ethernet-Anschlüsse

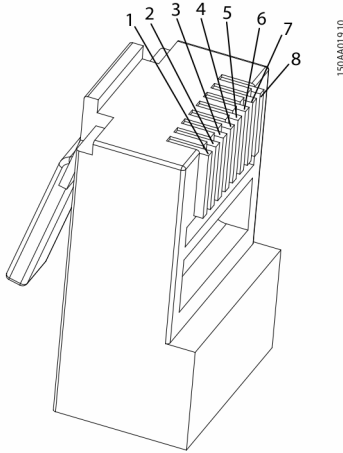


Abbildung 5.4 Pinbelegung des RJ45-Steckers für Ethernet

Pinbelegung Ethernet	Farbstandard	
	Cat. 5 T-568A	Cat. 5 T-568B
1. RX+	Grün/Weiß	Orange/Weiß
2. RX	Grün	Orange
3. TX+	Orange/Weiß	Grün/Weiß
4.	Blau	Blau
5.	Blau/Weiß	Blau/Weiß
6. TX-	Orange	Grün
7.	Braun/Weiß	Braun/Weiß
8.	Braun	Braun

### 5.7.1 Netzwerktopologie

Der Wechselrichter verfügt über zwei Ethernet-RJ45-Buchsen, die den Anschluss mehrerer Wechselrichter und der Batterie in einer Linientopologie ermöglichen (als Alternative zur üblichen Sterntopologie).

#### **i** HINWEIS

Ringtopologie (C in Abbildung 5.5) ist nur zulässig, wenn sie mit einem Ethernet-Switch realisiert wird, der das Spanning-Tree-Protokoll unterstützt.

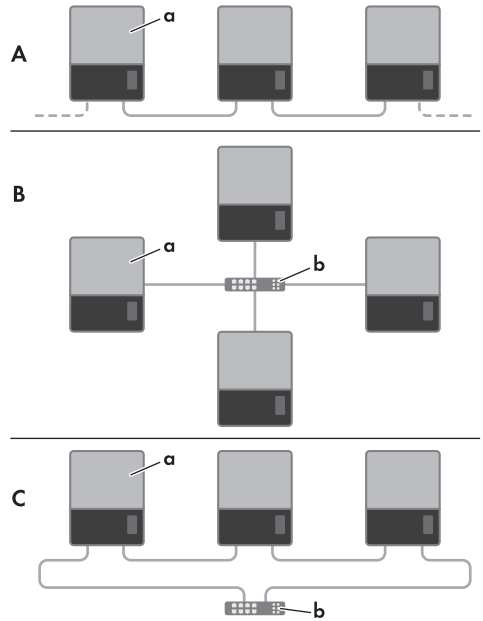


Abbildung 5.5 Netzwerktopologie

A	Lineare Verkettung
B	Sterntopologie
C	Ringtopologie (nur bei Einsatz des Spanning-Tree-Protokolls)
a	Wechselrichter
b	Ethernet-Switch

Status der LEDs neben der Ethernet-Schnittstelle ist in Tabelle 5.12 erklärt. Pro Schnittstelle gibt es 2 LEDs.

Status	Gelbe LED	Grüne LED
Off	10 MBit/s Verbindungsgeschwindigkeit	Kein Link
On	100 MBit Verbindungsgeschwindigkeit	Link
Blinkt	-	Aktivität

Tabelle 5.12 LED-Status

## 6 Kontakt

Bei technischen Problemen mit unseren Produkten wenden Sie sich an die SMA Service Line. Wir benötigen folgende Daten, um Ihnen gezielt helfen zu können:

- Gerätetyp des Wechselrichters
- Seriennummer des Wechselrichters
- Firmware-Version des Wechselrichters
- Ggf. länderspezifische Sondereinstellungen des Wechselrichters
- Montageort und Montagehöhe des Wechselrichters
- Display-Meldung
- Typ der angeschlossenen Batterie
- Firmware-Version der angeschlossenen Batterie

## Disposiciones legales

SMA Solar Technology AG es propietaria de todos los derechos de la información que se facilita en esta documentación. Queda expresamente prohibida su publicación total o parcial sin la autorización por escrito por parte de SMA Solar Technology AG. Sí está permitida, sin necesidad de autorización previa, su reproducción para el uso interno, para evaluar el producto o para el uso previsto.

### Garantía de SMA

En [www.SMA-Solar.com](http://www.SMA-Solar.com) podrá descargar las condiciones de garantía actuales.

### Marcas registradas

Se reconocen todas las marcas registradas, incluso si no están señaladas por separado. La falta de señalización no implica que la mercancía o las marcas sean libres.

### SMA Solar Technology AG

Sonnenallee 1  
34266 Niestetal  
Alemania

Tel. +49 561 9522-0  
Fax +49 561 9522-100  
[www.SMA.de](http://www.SMA.de)  
Email: [info@SMA.de](mailto:info@SMA.de)

Copyright © 2019 SMA Solar Technology AG.  
Reservados todos los derechos.

### Denominación en el documento



Denominación completa	Denominación utilizada en este documento
Sunny Tripower Storage 60	Inversor, producto

## INDICACIONES IMPORTANTES PARA LA SEGURIDAD

### Niveles de advertencia

Símbolo	Explicación
 PELIGRO	Información importante para la seguridad que, de no ser observada, causa inmediatamente la muerte o lesiones físicas graves.
 ADVERTENCIA	Información importante para la seguridad que, de no ser observada, puede causar la muerte o lesiones físicas graves.
 ATENCIÓN	Información importante para la seguridad que, de no ser observada, puede causar lesiones físicas leves o de gravedad media.
 PRECAUCIÓN	Información importante para la seguridad que, de no ser observada, puede causar daños materiales.

### Símbolos del documento

Símbolo	Explicación
 ESPECIALISTA	Indicación de que el apartado siguiente recoge actividades que deben llevar a cabo únicamente especialistas
	Información importante para un tema u objetivo concretos, aunque no relevante para la seguridad
<input type="checkbox"/>	Requisito necesario para alcanzar un objetivo determinado
<input checked="" type="checkbox"/>	Resultado deseado
<b>x</b>	Posible problema

## Indicaciones de seguridad

### ⚠ ATENCIÓN

Este documento contiene instrucciones importantes de obligado cumplimiento durante la instalación y el mantenimiento del inversor.



### Antes de la instalación

Compruebe que no se hayan producido daños en el inversor ni en el embalaje. Si tiene alguna duda al respecto, póngase en contacto con su proveedor antes de comenzar con la instalación del equipo.

### ⚠ ADVERTENCIA

#### Instalación / servicio técnico

Para conseguir unas condiciones de seguridad óptimas, siga los pasos que se describen en este documento. Tenga en cuenta que el inversor tiene dos zonas de tensión: la entrada fotovoltaica y la red de CC.

### ⚠ PELIGRO

#### Desconexión del inversor

Antes de comenzar a trabajar con el inversor, desconecte la CA en el interruptor de red eléctrica y la CC girando el interruptor-seccionador de potencia de CC. Asegúrese de que no se puede volver a conectar el inversor de manera involuntaria. Utilice un detector capacitivo para asegurarse de que la unidad está desconectada y sin tensión. Cuando desconecte el equipo de la red pública y de la batería, espere siempre un mínimo de 5 minutos antes de continuar.

### ⚠ PELIGRO

#### Peligro de muerte por descarga eléctrica causada por cables de CC bajo tensión

Los cables de CC conectados a una batería pueden encontrarse bajo tensión. El contacto con los conductores de CC o los componentes conductores causa descargas eléctricas que pueden ser mortales.

- No toque ningún extremo de cable descubierto.
- No toque ningún componente bajo tensión.
- Encargue el montaje, la instalación y la puesta en marcha del inversor y de la batería únicamente a especialistas con la cualificación adecuada.
- Siga todas las indicaciones de seguridad del fabricante de las baterías.
- Antes de efectuar cualquier trabajo en el inversor y en la batería, desconecte siempre el inversor de la tensión.
- Antes de trabajar en el inversor, espere 5 minutos.
- Si se produce un error, deje que lo resuelva exclusivamente un especialista.

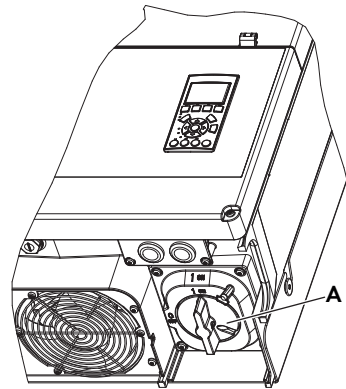


Imagen 1: Interruptor-seccionador de potencia de CC

A Interruptor-seccionador de potencia de CC



### INDICACIÓN

El interruptor-seccionador de potencia de CC se puede proteger en la posición "Off" (apagado) con un candado.

## INDICACIÓN

El inversor no está previsto para el uso en áreas habitadas y no puede asegurar una protección adecuada de la recepción de radio contra interferencias electromagnéticas. Según la norma EN55011:2016, el inversor solamente puede ser utilizado en lugares en los que la distancia entre el inversor y equipos sensibles de comunicación por radio sea mayor a 30 m y en los que dispongan de un propio transformador de potencia.

## ATENCIÓN

### Mantenimiento y modificación

Solo se permite efectuar modificaciones en el inversor al personal autorizado para ello. Para garantizar la seguridad del usuario, utilice únicamente recambios originales suministrados por el proveedor.

## ADVERTENCIA

### INSTALADOR

Los circuitos de entrada y salida están aislados de la carcasa. La toma a tierra es responsabilidad del instalador.

## ADVERTENCIA

### PELIGRO DE DESCARGA ELÉCTRICA

Estas instrucciones solo deben ser utilizadas por personal cualificado. Para reducir el riesgo de descarga eléctrica, no realice más tareas de mantenimiento que las especificadas en las instrucciones a menos que esté cualificado para ello.

## ADVERTENCIA

### Peligro debido a un fallo a tierra por el lado de la CC durante el funcionamiento

Debido a la topología sin transformador del producto, si se dan fallos a tierra por el lado de la CC durante en funcionamiento, pueden producirse daños irreparables. Los daños producidos en el producto por una instalación de CC errónea o dañada no están cubiertos por la garantía. El producto está equipado con un dispositivo de protección que comprueba únicamente durante el proceso de arranque si existe un fallo a tierra. Durante el funcionamiento, el producto no está protegido.

- Asegúrese de que la instalación de CC se lleva a cabo correctamente y que no pueden darse fallos a tierra durante el funcionamiento.

## ADVERTENCIA

### Peligro de quemaduras debido a arcos voltaicos

Las corrientes de cortocircuito de la batería pueden originar subidas de temperatura y arcos voltaicos.

- Antes de efectuar cualquier trabajo en la batería, esta debe desconectarse de la tensión.
- Al realizar trabajos en la batería y en el inversor tenga en cuenta todas las indicaciones de seguridad del fabricante de la batería.

## ADVERTENCIA

El inversor sin transformador está en funcionamiento una batería no conectada a tierra (sin ninguno de los dos polos puesto a tierra).

## ADVERTENCIA

Los circuitos de entrada y salida están aislados de la carcasa.

La toma a tierra es responsabilidad del instalador.

## ATENCIÓN

Todas las personas que efectúen tareas de instalación y mantenimiento de inversores deberán:

- tener formación y autorización sobre las normas generales de seguridad para trabajar con equipos eléctricos;
- estar familiarizadas con los requisitos, reglamentos y normas locales para la instalación.

**⚠ ATENCIÓN**

El inversor no proporciona protección contra la sobrecorriente. Esta la debe suministrar el instalador. Consulte la tabla 5.8.

**⚠ ATENCIÓN**

La temperatura de los elementos refrigerantes y piezas del inversor puede superar los 70 °C. Existe peligro de quemaduras.

El inversor debe instalarse de manera que el personal no pueda entrar en contacto con él.

**i INDICACIÓN**

El símbolo de protección de conexión a tierra empleado en estas instrucciones está identificado en la imagen 2.18.

El símbolo de encendido/apagado está identificado en Capítulo 3.2.2, página 103.

**i INDICACIÓN**

Para obtener información sobre el valor nominal de temperatura ambiente, consulte Capítulo 5.3, página 115.

**i INDICACIÓN**

Estas instrucciones contienen información sobre las conexiones de cableado de campo y las especificaciones del par. Consulte Capítulo 5.4, página 116.

**Símbolo Explicación**

Peligro de muerte por altas tensiones en el inversor; respetar el tiempo de espera

En los componentes conductores del inversor existen altas tensiones que pueden causar descargas eléctricas mortales.

Antes de efectuar cualquier trabajo en el inversor, desconéctelo siempre de la tensión tal y como se describe en este documento.



Peligro de quemaduras por superficies calientes

El producto puede calentarse durante el funcionamiento. Procure no tocarlo mientras está funcionando. Antes de llevar a cabo cualquier trabajo en el producto, espere a que se enfríe lo suficiente.



Tenga en cuenta la documentación  
Tenga en cuenta toda la documentación suministrada con el producto.



Señalización WEEE  
No deseché el producto con los residuos domésticos, sino de conformidad con las disposiciones sobre eliminación de residuos electrónicos vigentes en el lugar de instalación.

**Símbolos del inversor****Símbolo Explicación**

Peligro de muerte por descarga eléctrica

El producto funciona con tensiones altas. Todos los trabajos en el producto deben realizarlos exclusivamente especialistas.



Peligro

Este símbolo advierte de que el inversor debe tener una conexión a tierra adicional si en el lugar de instalación se requiere una toma a tierra adicional o una conexión equipotencial.

**Conformidad**

Encontrará más información en el área de descargas de [www.SMA-Solar.com](http://www.SMA-Solar.com) (consulte también Capítulo 5, página 113).

# 1 Introducción

El Sunny Tripower Storage 60 es un inversor con batería acoplado a la CA para el funcionamiento simultáneo de la red. El inversor fotovoltaico transforma la corriente continua de la batería en corriente alterna trifásica apta para la red. El inversor deberá conectar el inversor a la red eléctrica y a una batería aprobada para funcionar correctamente. El inversor no está adecuado para otras aplicaciones (como, por ejemplo, para su uso con sistemas fotovoltaicos o eólicos).

El producto únicamente puede utilizarse como equipo estacionario.

El producto debe utilizarse solamente en conexión con una batería de seguridad intrínseca aprobada por SMA Solar Technology AG. La batería debe tener un dispositivo de desconexión separado. Encontrará un listado actualizado de las baterías aprobadas por SMA Solar Technology AG en [www.SMA-Solar.com](http://www.SMA-Solar.com).

La batería debe cumplir con las normativas y directivas aplicables en el lugar y ser de funcionamiento intrínsecamente seguro.

La interfaz de datos de la batería utilizada debe ser compatible con el producto. El rango de tensión de la batería debe encontrarse por completo dentro del rango de tensión de entrada del producto. No debe sobrepasarse la tensión de entrada de CC máxima admisible del producto.

El sistema de baterías está formado por tres componentes:

- Inversor
- SMA Inverter Manager
  - El SMA Inverter Manager siempre es necesario para gestionar el inversor. A cada SMA Inverter Manager pueden conectarse hasta 20 inversores y 20 baterías. El SMA Inverter Manager se ocupa de todas las comunicaciones con los inversores y las baterías. Supone una interfaz única para sistemas de adquisición de datos, carga a servicios en la nube y gestión de red.
- LCS-Tool ("Local Commissioning and Service")
  - La LCS-Tool es necesaria para la puesta en marcha y el mantenimiento del inversor mediante el SMA Inverter Manager. La LCS-Tool actúa como interfaz de usuario principal de la planta.

## 1.1 Vista general del sistema

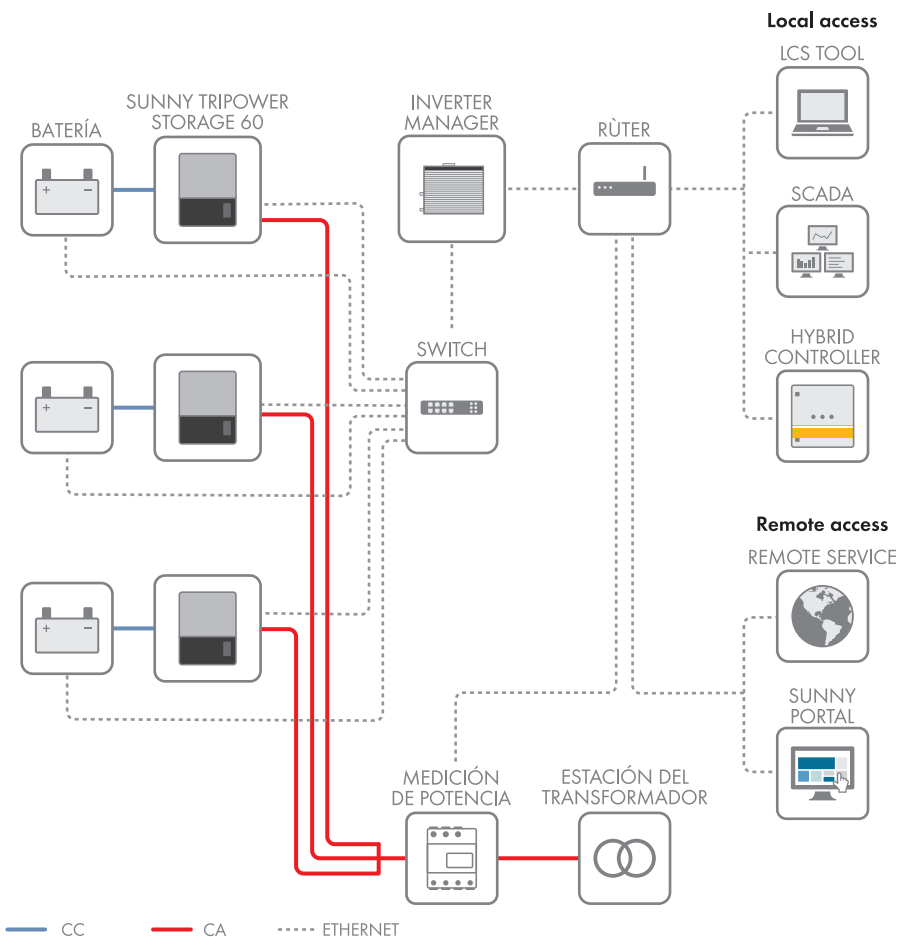


Imagen 1.1 Vista general del sistema

## 1.2 Fin de las instrucciones

Estas instrucciones contienen información sobre la instalación y puesta en marcha del inversor.

Recursos adicionales disponibles:

- Instrucciones breves para instalar el inversor: ofrece información necesaria para su puesta en marcha y la configuración de la comunicación.
- Instrucciones de instalación del SMA Inverter Manager: ofrece información necesaria para la puesta en marcha y la configuración de la comunicación.

- Instrucciones de servicio técnico para cambiar el ventilador: contiene la información necesaria para sustituir los ventiladores.
- Instrucciones de servicio técnico para cambiar los descargadores contra sobretensión: contiene la información necesaria para sustituir los descargadores contra sobretensión.

Estos documentos se encuentran a su disposición en la zona de descargas de [www.SMA-Solar.com](http://www.SMA-Solar.com). También puede conseguirlos a través del proveedor del inversor.



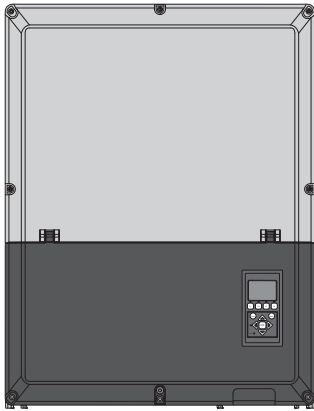


Imagen 1.2. Vista frontal del inversor

Abreviatura	Descripción
cat5e	Cable de la categoría 5 (mejorado) con conductores torcidos ( <i>twisted pair</i> ) para la transferencia de datos
DHCP	Protocolo para transmitir direcciones IP dinámicas ( <i>Dynamic Host Configuration Protocol</i> ): permite asignar directamente las direcciones de red a través del servidor de DHCP
DSL	Línea de abonado digital ( <i>Digital Subscriber Line</i> )
Directiva CEM	Directiva sobre compatibilidad electromagnética
ESD	Descarga electrostática
FRT	Apoyo dinámico de red ( <i>Fault Ride Through</i> )
GSM	Sistema global de comunicaciones móviles ( <i>Global System for Mobile Communications</i> )
HDD	Unidad de disco duro ( <i>Hard Disk Drive</i> )
IEC	Comisión Electrotécnica Internacional ( <i>International Electrotechnical Commission</i> ): organización para estándares internacionales
IT	Sistema de tierras aislado
LCS	Local Commissioning and Service Tool (herramienta local de puesta en marcha y servicio técnico)
Led	Diodo emisor de luz
DBT	Directiva de baja tensión

Abreviatura	Descripción
MCB	Disyuntor
MPP	Punto de máxima potencia ( <i>Maximum Power Point</i> )
P	P es el símbolo de la potencia activa y se mide en vatios (W).
PCB	Placa de circuitos impresos ( <i>Printed Circuit Board</i> )
PCC	Punto de enlace de la red ( <i>Point of Common Coupling</i> ) Es el punto en la red eléctrica pública en el que varios clientes están, o podrían estar, conectados.
PE	Puesta a tierra provisional ( <i>Protective Earth</i> )
PELV	Protección por tensión demasiado baja ( <i>Protective Extra Low Voltage</i> )
PLA	Ajuste del nivel de potencia ( <i>Power Level Adjustment</i> )
$P_{NOM}$	Potencia [W], potencia efectiva nominal
POC	Punto de conexión Es el punto en el que el sistema se conecta a la red eléctrica pública.
$P_{STC}$	Potencia [W], potencia en condiciones de prueba estándar ( <i>Standard Test Conditions</i> )
FV	Fotovoltaica, células fotovoltaicas
RCD	Diferencial
RCMU	Unidad de control de la corriente residual ( <i>Residual Current Monitoring Unit</i> )
$R_{ISO}$	Resistencia del aislamiento
ROCOF	Tasa de variación de la frecuencia ( <i>Rate Of Change Of Frequency</i> )
Q	Q es el símbolo de la potencia reactiva y se mide en voltamperios reactivos (VAR).
S	S es el símbolo de la potencia aparente y se mide en voltamperios (VA).
SOC	Acrónimo de "State of Charge" (estado de carga de la batería)
STC	Condiciones de prueba estándar ( <i>Standard Test Conditions</i> )
SW	Software
THD	Tasa de distorsión armónica total
TN-S	Red de CA con conductor de protección y conductor neutro separado

Abreviatura	Descripción
TN-C	Red de CA con conductor de protección y conductor neutro combinado
TN-C-S	Sistema TN-C y TN-S combinado: la separación del conductor de protección y del conductor neutro se produce en el punto de transición entre la red de distribución y la planta del cliente.
TT	Red de corriente alterna con separación entre la tierra de la red del generador y la tierra de la planta consumidora
Operador distribuidor de la red	Operador distribuidor de la red

## 1.3 Desembalaje

Compruebe que el contenido de la entrega de todos los productos esté completo y que no presente daños externos visibles.

En caso de que no esté completo o presente daños, póngase en contacto con su distribuidor.

El contenido de la entrega puede incluir componentes que no sean necesarios para la instalación.

Contenido:

- Inversor
- Soporte mural
- Bolsa de accesorios, que incluye:
  - 6 tacos para tornillos 8 x 50 mm
  - 6 tornillos de fijación 6 x 60 mm
  - 1 racor atornillado para cables M25 con anillo aislante para cables ethernet
  - 1 perno de puesta a tierra M6 x 12 mm
- Instrucciones de instalación
- Instrucciones breves para la instalación

## 1.4 Placa de características del inversor

La placa de características identifica el inversor de forma inequívoca. La información de la placa de características le ayudará a utilizar el producto de forma segura y a responder a las preguntas del Servicio Técnico de SMA. En la placa de características encontrará esta información:

- Modelo (Model)
- Número de serie (Serial No.)
- Fecha de fabricación (Date of manufacture)
- Datos específicos del equipo

## 1.5 Orden de instalación

1. Observe sobre todo las indicaciones de seguridad al principio de estas instrucciones.
2. Monte el inversor según Capítulo 2.1, página 92, Capítulo 2.2, página 93 y Capítulo 2.3, página 94.
3. Abra el inversor según las instrucciones que encontrará en Capítulo 2.5, página 95.
4. Instale el suministro de CA según Capítulo 2.6, página 96.
5. Instale ethernet según Capítulo 5.7, página 118.
6. Cierre el inversor siguiendo las instrucciones de Capítulo 2.5, página 95.
7. Conecte el interruptor-seccionador de potencia de CC.
8. Active la corriente alterna.
9. Conecte la batería
10. Finalización de la puesta en marcha con la LCS-Tool  
 La LCS-Tool está disponible en la zona de descargas de [www.SMA-Solar.com](http://www.SMA-Solar.com). Requisitos del hardware para la LCS-Tool:
  - Ordenador con Windows™ 7 o superior
  - 1 GB HDD
  - 2 GB RAM
 La LCS-Tool tiene que estar instalada en una unidad local. El ordenador tiene que estar conectado a la red de la planta del SMA Inverter Manager. Si desea realizar la configuración mediante la LCS-Tool, consulte Capítulo 3.2.1, página 102.
11. Compruebe los siguientes elementos de la instalación:
  - La pantalla del inversor: el led de encendido está en verde.
  - LCS-Tool: el estado del inversor es "On grid".
  - Estado de la batería a través del SMA Inverter Manager
12. El inversor está listo para funcionar.

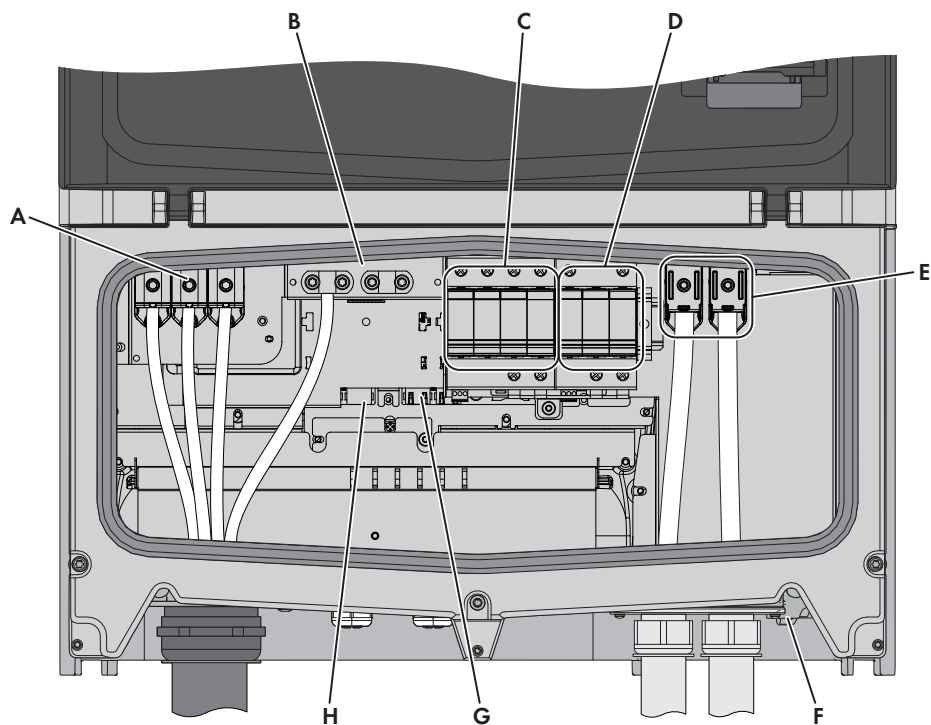


Imagen 1.3. Vista general del área de instalación

**PELV (contacto seguro)**

B	Conexión a tierra del equipo
---	------------------------------

G	2 interfaces de ethernet
---	--------------------------

H	Interfaz RS485 (no está en uso)
---	---------------------------------

**Piezas conductoras de tensión**

A	Bornes de CA
---	--------------

E	Bornes de conexión de CC
---	--------------------------

**Otros**

C	Descargador contra sobretensiones, lado CA
---	--

D	Descargador contra sobretensiones, lado CC
---	--

F	Interruptor-seccionador de potencia de CC
---	---

Tabla 1.2. Vista general del área de instalación

## 2 Instalación

### 2.1 Entorno y espacios libres



Imagen 2.1. Evite el flujo constante de agua

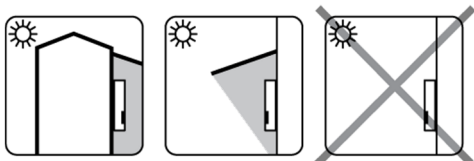


Imagen 2.2. Evite la irradiación solar directa

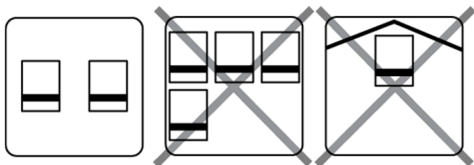


Imagen 2.3. Asegúrese de que exista suficiente ventilación

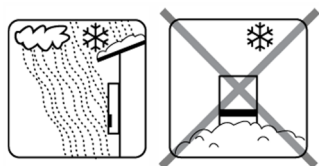


Imagen 2.4. Asegúrese de que exista suficiente ventilación

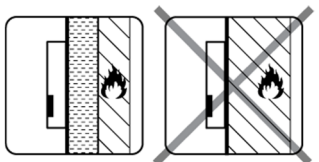


Imagen 2.5. Montaje sobre una superficie ignífuga

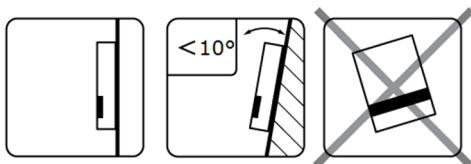


Imagen 2.6. Montaje recto en una superficie vertical. Se permite una inclinación hacia atrás de hasta  $10^\circ$ .



Imagen 2.7. Evite la exposición a polvo y gases de amoníaco

#### **i** INDICACIÓN

A la hora de elegir el emplazamiento para la instalación, asegúrese de que la etiqueta del inversor y las de advertencia permanezcan visibles. Encontrará información más detallada en Capítulo 5, página 113.

## 2.2 Montaje del soporte mural

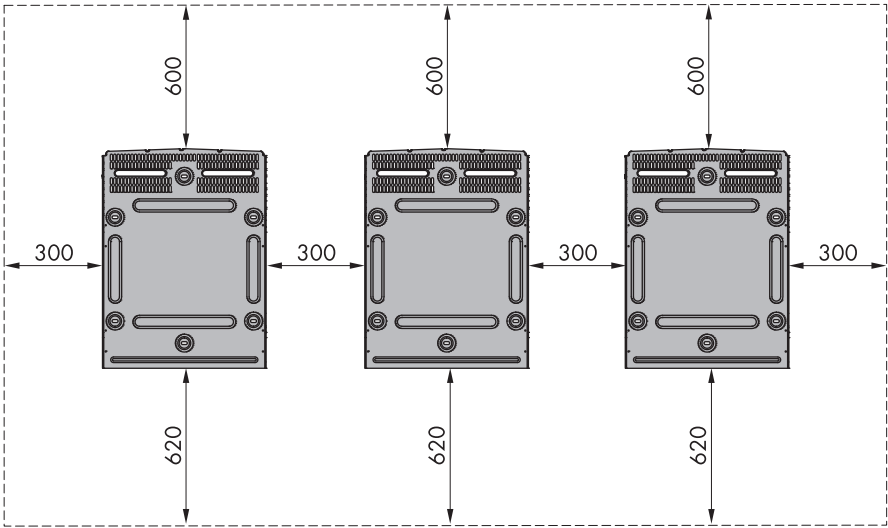


Imagen 2.8. Espacios de seguridad en mm

### **i** INDICACIÓN

Tenga en cuenta los espacios de seguridad hacia otros objetos para garantizar un flujo de aire adecuado (consulte la imagen 2.8).

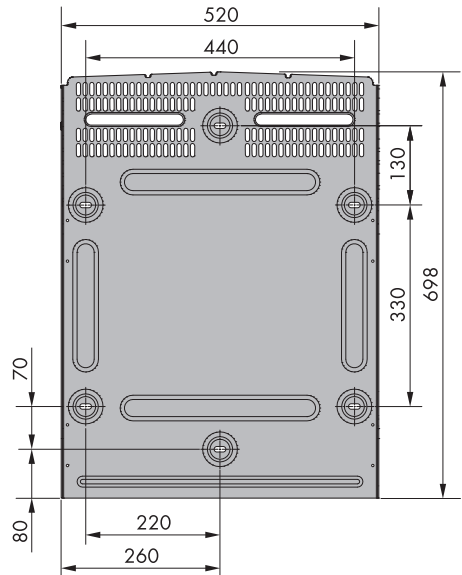


Imagen 2.9. Dimensiones del soporte mural en mm

## **i** INDICACIÓN

Es obligatorio utilizar la placa de montaje suministrada con el inversor. Si el inversor opera sin el soporte mural, la garantía no tiene validez. Es altamente recomendable utilizar los seis orificios de montaje (consulte la imagen 2.10).

### Montaje del soporte mural:

- Instale el soporte mural en el entorno definido.
- Utilice tornillos y tomas de pared que puedan soportar con seguridad el peso del inversor.
- Asegúrese de que la placa de montaje esté bien alineada.
- Tenga en cuenta los espacios de seguridad cuando instale uno o más inversores para garantizar un flujo de aire adecuado. Los espacios libres se especifican en la imagen 2.8 y en la etiqueta del soporte mural.
- Se recomienda montar varios inversores en una única fila. Póngase en contacto con su proveedor para obtener instrucciones sobre cómo montar inversores en más de una fila.
- Compruebe que dispone del espacio libre adecuado en la parte delantera para acceder al inversor con seguridad durante las tareas de instalación y mantenimiento.

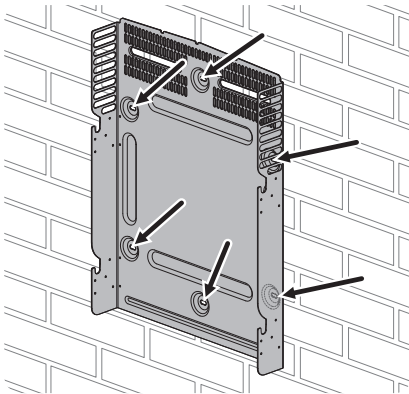


Imagen 2.10. Instalación del soporte mural

## 2.3 Montaje del inversor

### **⚠** ATENCIÓN

Tenga en cuenta el reglamento local de salud y seguridad antes de manipular el inversor.

### Procedimiento:

1. Utilice las argollas de elevación M12 y tuercas compatibles en el inversor (no suministradas).
2. Levante el inversor.

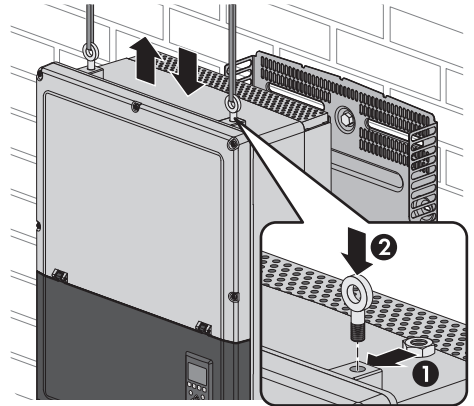


Imagen 2.11. Fije las argollas de elevación y levante el inversor

3. Coloque las ranuras en el lateral de la placa de montaje.
4. En el inversor, coloque los tornillos laterales frente a las ranuras de la placa de montaje. Empuje el inversor de manera que los tornillos laterales se deslicen en las dos ranuras inferiores y en las dos superiores.

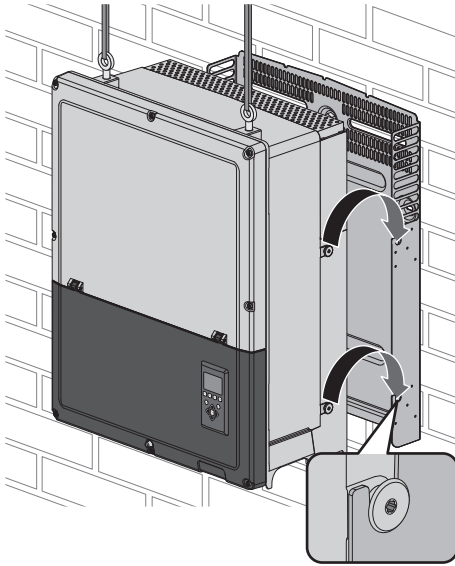


Imagen 2.12. Cuelgue el inversor de red aislada en el soporte mural.

5. Compruebe que los cuatro tornillos laterales se hayan asentado correctamente en las ranuras del soporte mural
6. Suelte el inversor.

## 2.4 Desmontaje del inversor

### Procedimiento:

1. Realice el desmontaje en el orden inverso al del proceso de montaje.
2. Levante y deslice el inversor fuera de las ranuras del soporte mural.
3. Levante el inversor del soporte mural.

## 2.5 Acceso al área de instalación

### ⚠ PELIGRO

#### Peligro de muerte por descarga eléctrica causada por cables de CC bajo tensión

Los cables de CC conectados a una batería pueden encontrarse bajo tensión. El contacto con los conductores de CC o los componentes conductores causa descargas eléctricas que pueden ser mortales.

- No toque ningún extremo de cable descubierto.
- No toque ningún componente bajo tensión.
- Encargue el montaje, la instalación y la puesta en marcha del inversor y de la batería únicamente a especialistas con la cualificación adecuada.
- Siga todas las indicaciones de seguridad del fabricante de las baterías.
- Antes de efectuar cualquier trabajo en el inversor y en la batería, desconéctelo siempre de la tensión.
- Antes de trabajar en el inversor, espere 5 minutos.
- Si se produce un error, deje que lo resuelva exclusivamente un especialista.

### ⚠ PELIGRO

#### Desconexión del inversor

Antes de comenzar a trabajar con el inversor, desconecte la CA en el interruptor de red eléctrica y la CC girando el interruptor-seccionador de potencia de CC. Asegúrese de que no se puede volver a conectar el inversor de manera involuntaria. Utilice un detector capacitivo para asegurarse de que la unidad está desconectada y sin tensión. Cuando desconecte el equipo de la red pública y de la batería, espere siempre un mínimo de 5 minutos antes de continuar.

### ⚠ ATENCIÓN

Tenga en cuenta el reglamento de seguridad ESD. Descargue las cargas electrostáticas tocando la carcasa conectada a tierra antes de manejar cualquier componente electrónico.

### Procedimiento:

1. Para abrir la cubierta, afloje los tres tornillos inferiores de la parte delantera con un destornillador TX30. Cuentan con un muelle, por lo que no se caen.

- Levante la cubierta en 180°. La cubierta se sujeta con un imán en la posición abierta.

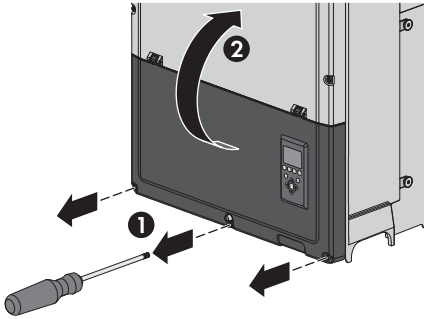


Imagen 2.13. Afloje los tornillos frontales y levante la cubierta

- Para cerrar la cubierta, bájela hasta colocarla en su sitio y apriete los tres tornillos frontales.

## 2.6 Conexión de red de CA

### ⚠ PELIGRO

Estas instrucciones de conexión de red de CA son solo para personal cualificado. Para reducir el riesgo de descarga eléctrica, no realice más tareas de mantenimiento que las especificadas en las instrucciones a menos que esté cualificado para ello.

### ⚠ ATENCIÓN

Para obtener información sobre los fusibles y el RCD, consulte Capítulo 5, página 113. La tensión de CA nominal de los fusibles no debe exceder la corriente máxima de los conductores usados.

### Detección IMI

El inversor cuenta con un controlador de aislamiento integrado (IMI) y una unidad de control de corriente de defecto (RCMU).

El inversor reacciona a corrientes continuas de defecto y a una variación repentina en la corriente de puesta a tierra. Esta función está activa durante el funcionamiento normal.

### Detección de resistencia de aislamiento

El inversor tiene integrada una detección de la resistencia de aislamiento. El detector de resistencia del aislamiento realiza una medición de la resistencia de la batería conectada a tierra antes de que el inversor se conecte a la red. Si la resistencia es inferior al valor establecido para el ajuste de red, el inversor esperará y volverá a medir la resistencia poco después. Si la resistencia es superior al valor establecido para el ajuste de red, el inversor realizará una autopruueba y se conectará a la red.

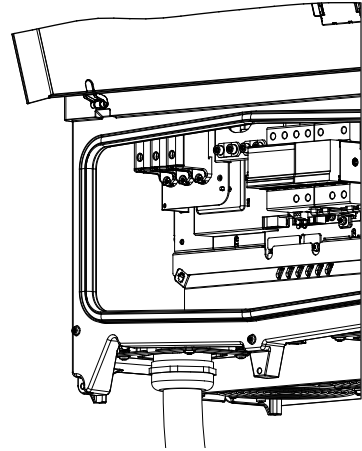


Imagen 2.14. Área de instalación

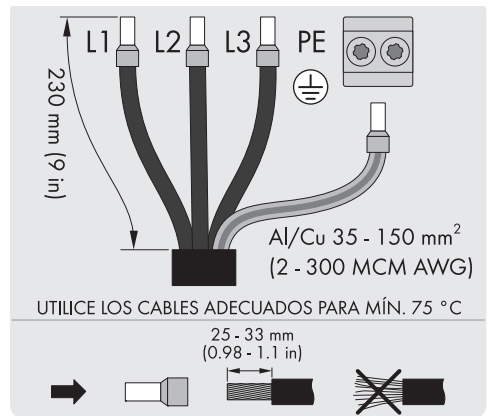


Imagen 2.15. Pelado del cable de CA



## INDICACIÓN

Para la conexión de CA se pueden utilizar cables con conductores de varios hilos, de hilo fino o de microhilo (consulte la imagen 2.16). Los cables deben ser indicados para una temperatura mínima de 75 °C.

Al usar cables con conductores de hilo fino o microhilo, necesita utilizar virolas para la conexión.

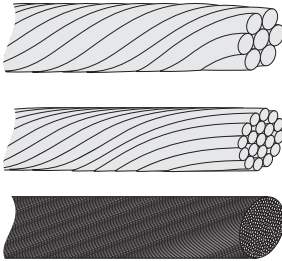


Imagen 2.16 Cables con diferentes tipos de conductores (de arriba abajo): de varios hilos, de hilo fino y de microhilo

El inversor solo debe conectarse a una red trifásica. En el cable de CA, pele el aislamiento de los cuatro conductores. El conductor de protección (PE) debe ser más largo que los cables de alimentación.

1. Compruebe que la clasificación del inversor coincide con la red.
2. Asegúrese de que el disyuntor principal está en posición de apagado y tome precauciones para evitar que se vuelva a conectar.
3. Abra la cubierta frontal.
4. Introduzca el cable a través del racor atornillado para cables de CA hasta las cajas de bornes.
5. Conecte los tres cables de alimentación (L1, L2, L3) y el conductor de protección PE a sus cajas de bornes. El conductor de protección está marcado con el símbolo que aparece en la imagen 2.17.
6. Opcional: realice una conexión del conductor de protección adicional en el segundo terminal PE situado en el inversor utilizando el perno de puesta a tierra del equipo externo suministrado con el inversor. Consulte la imagen 5.2

7. Todos los conductores deben apretarse adecuadamente y con el par correcto. Consulte Capítulo 5.4, página 116.

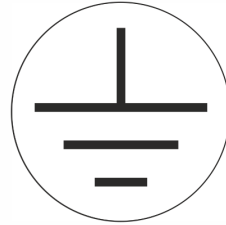


Imagen 2.17. Símbolo de conductor de protección

## ADVERTENCIA

### PELIGRO POR CORRIENTE DE FUGA

Una toma a tierra insuficiente del inversor puede causar lesiones graves o incluso la muerte.

- Asegúrese de que un instalador eléctrico certificado conecte los equipos a tierra correctamente.

## 2.7 Aberturas en la carcasa

Los soportes de montaje para los racores atornillados para cables están ya premontados.

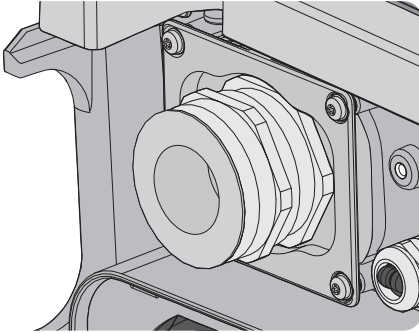


Imagen 2.18 Racor atornillado para cables de CA

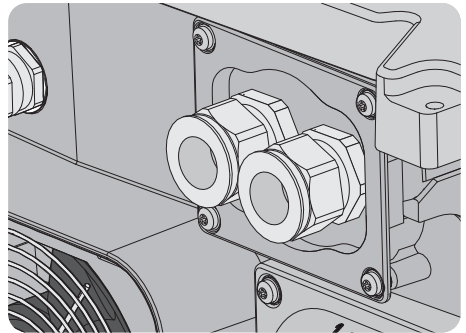


Imagen 2.19 Racor atornillado para cables de CC

Borne	Rango <sup>1)</sup>	Material de los conductores	Diámetro del revestimiento del cable con los racores atornillados para cables suministrados
CA+PE	35 a 150 mm <sup>2</sup>	Al/Cu	46 a 53 mm
CC	35 a 150 mm <sup>2</sup>	Al/Cu	18 a 25 mm

Tabla 2.1. Secciones de cables suficientes

<sup>1)</sup> Respete siempre la corriente admisible de los cables utilizados.

## 2.8 Conexiones de ethernet

Para uso en exteriores, utilice el cable adecuado (consulte el capítulo 5.6 "Especificaciones de las interfaces de comunicación", página 117). Si el cable es muy rígido, utilice un borne intermedio para hacerlo más flexible antes de conectarlo al inversor. En algunos casos es suficiente quitar el revestimiento exterior de la parte del cable que se introduce en la carcasa. Así puede proteger las conexiones de ethernet RJ-45 montadas en las placas de circuito impreso de un gran desgaste y evitar daños o problemas en la conexión.

Procedimiento:

1. No extraiga el conector RJ45 del cable ethernet.
2. Guíe los cables por la base del inversor a través de los racores atornillado para cables. Consulte la imagen 2.20
3. Corte una ranura en el anillo de goma. Coloque el anillo de goma en la unión roscada para garantizar un sellado adecuado.

4. Conecte el cable al puerto ethernet.

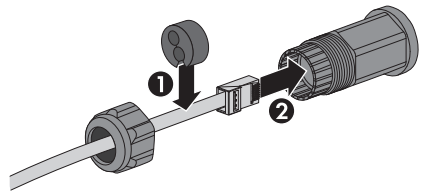


Imagen 2.20. Recorrido de los cables a través de los racores atornillados para cables

## 2.9 Conexión de CC

### **⚠ ADVERTENCIA**

#### **Peligro de muerte por incendio en caso de cortocircuito**

El inversor no puede desconectar un cortocircuito de la batería. Las corrientes de cortocircuito pueden provocar un incendio.

- Instale entre el inversor y la batería un interruptor-seccionador para ruptura de carga y un cortacircuitos fusible de la clase UL que en caso de fallo pueda desconectar de forma segura la corriente de cortocircuito de la batería.

### **⚠ ATENCIÓN**

El inversor está protegido contra la polarización a corto plazo. Si la polarización no se corrige, produce una avería irreparable en el inversor y la garantía se extingue.

- Asegúrese de que los cables estén correctamente conectados en el inversor para que el inversor puede inyectar tensión de entrada de CC.
- Conecte solo baterías con detección de polarización al inversor.

### **⚠ ATENCIÓN**

La batería funciona en configuración flotante y sus polos (+) y (-) están conectados a los bornes de CC del inversor. Ningún polo está conectado a tierra.

### **⚠ ATENCIÓN**

Si activa el interruptor-seccionador de potencia de CC con la batería conectada, produce una avería irreparable en el inversor y la garantía se extingue.

- Asegúrese antes de activar el interruptor-seccionador de CC que la batería esté desconectada.

La potencia de CC se puede desconectar por medio del interruptor-seccionador de potencia de CC integrado en el inversor.

### **⚠ ADVERTENCIA**

¡CC NO debe conectarse a tierra!

### **⚠ ADVERTENCIA**

#### **Peligro debido a un fallo a tierra por el lado de la CC durante el funcionamiento**

Debido a la topología sin transformador del producto, si se dan fallos a tierra por el lado de la CC durante en funcionamiento, pueden producirse daños irreparables. Los daños producidos en el producto por una instalación de CC errónea o dañada no están cubiertos por la garantía. El producto está equipado con un dispositivo de protección que comprueba únicamente durante el proceso de arranque si existe un fallo a tierra. Durante el funcionamiento, el producto no está protegido.

- Asegúrese de que la instalación de CC se lleva a cabo correctamente y que no pueden darse fallos a tierra durante el funcionamiento.

### **⚠ ADVERTENCIA**

#### **En caso de fallo a tierra, no debe accionarse el interruptor-seccionador de potencia de CC**

En infrecuentes casos aislados, puede producirse en caso de error una mezcla de gas inflamable en el interior del producto. En este estado puede dispararse un incendio o una explosión durante las actividades de conmutación. Un incendio o piezas que salen despedidas pueden causar lesiones que pongan en peligro la vida o incluso la muerte.

- En caso de error, ejecute solo las medidas correctoras indicadas por SMA Solar Technology AG (medidas Capítulo 4.1, página 104). Si no se han indicado medidas correctoras, no lleve a cabo ninguna acción en el producto. Póngase en contacto con el servicio técnico.
- Asegúrese de que las personas no autorizadas no tienen acceso al producto.
- Desconecte el disyuntor de CA y asegúrelo contra cualquier reconexión.
- Desconecte la batería del producto a través de un dispositivo de desconexión. No debe accionarse el interruptor-seccionador de potencia de CC del producto.

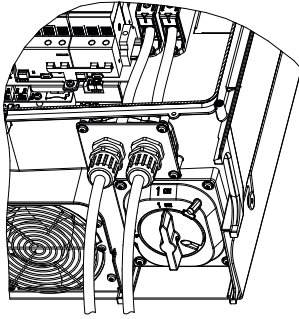


Imagen 2.22. Área de conexión de CC

### **i** INDICACIÓN

Para la conexión de CC se pueden utilizar cables con conductores de varios hilos, de hilo fino o de microhilo (consulte la imagen 2.23). Los cables deben ser indicados para una temperatura mínima de 75 °C.

Al usar cables con conductores de hilo fino o microhilo, necesita utilizar virolas para la conexión.

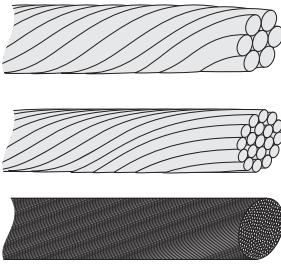


Imagen 2.23. Cables con diferentes tipos de conductores (de arriba abajo): de varios hilos, de hilo fino y de microhilo

1. En el inversor gire el interruptor de carga de CC a la posición apagado.
2. Conecte el cable de CC al inversor. Tenga en cuenta la polaridad correcta.
3. Todos los conductores deben apretarse adecuadamente y con el par correcto (consulte Capítulo 5.4, página 116).

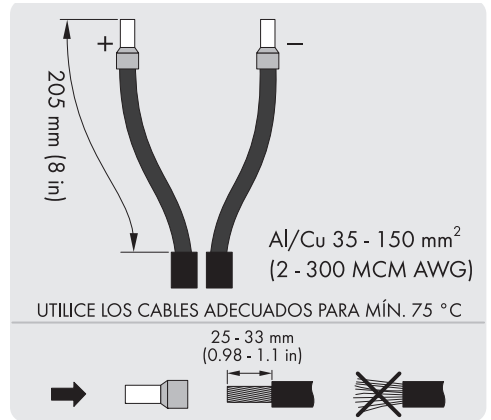


Imagen 2.27. Adhesivo CC

## 2.10 Cerrar

1. Cierre la tapa del área de instalación del inversor. Apriete los tres tornillos frontales (vea Capítulo 5.4, página 116).
2. Active la CA.

## 3 Configuración inicial y arranque

### 3.1 Interfaz de usuario

La interfaz de usuario se compone de:

- Pantalla local, para todas las variantes del inversor. La pantalla local muestra información sobre el estado del inversor. No es posible realizar configuraciones del inversor mediante la pantalla. El símbolo “##” de la pantalla explica los modos de funcionamiento.
- Herramienta de puesta en marcha y mantenimiento locales (LCS-Tool). La LCS-Tool permite la configuración de uno o varios inversores.

### 3.1.1 Modos de funcionamiento

El inversor tiene cinco modos de funcionamiento, indicados mediante leds.

Estado	Leds	Leds
Off grid (de la red)	Verde	-----
	Rojo	-----
Connecting (conexión con la red)	Verde	■ ■ ■ ■ ■ ■ ■ ■
	Rojo	-----
On grid (en la red)	Verde	■■■■■■■■■■
	Rojo	-----
Internal inverter event (incidencia interna del inversor)	Verde	■ ■ ■ ■ ■ ■ ■ ■
	Rojo	-----
Fail safe (bloqueo)	Verde	-----
	Rojo	■ ■ ■ ■ ■ ■ ■ ■

Tabla 3.1. Modos de funcionamiento

#### Off grid (leds apagados)

#0-51

En ciertas condiciones operativas, el inversor se desconecta de la red y se apaga. Las interfaces de usuario y comunicación permanecen conectadas para que pueda existir comunicación.

#### Connecting (el led verde parpadea)

#52-53

El inversor se inicia cuando la tensión de entrada alcanza la tensión de entrada de CC. El inversor realiza una serie de autopruebas internas que incluyen la medición de la resistencia entre el lado de CC y la toma a tierra. Al mismo tiempo, también supervisa los parámetros de red. Si los parámetros de red se encuentran dentro de las especificaciones durante el intervalo configurado (según el código de red y según las normativas y directivas locales vigentes), el inversor comienza a inyectar a la red.

#### On grid (el led verde está encendido)

#60

El inversor está conectado a la red de CA y suministra energía. El inversor se desconecta de la red pública si:

- detecta condiciones de red anormales (en función del ajuste de red).
- se produce una incidencia interna.
- Por causas del funcionamiento.

#### Internal inverter event (el led verde parpadea)

#54

El inversor está esperando a que alguna condición interna se encuentre dentro de los límites (por ejemplo, temperatura demasiado alta) antes de volver a conectarse a la red.

#### Fail safe (el led rojo parpadea)

#70

Si el inversor detecta un error en sus circuitos durante la autoprueba (en el modo de funcionamiento "Connecting") o durante el funcionamiento, el inversor pasa al modo de funcionamiento "Fail safe" y se desconecta de la red. El inversor permanecerá en el modo de funcionamiento "Fail safe" hasta que la potencia fotovoltaica de CC esté ausente durante un mínimo de 10 minutos o se le quite alimentación manualmente (CA+CC).

## 3.2 Pantalla

### INDICACIÓN

La pantalla puede tardar unos minutos en activarse después del encendido.

La pantalla integrada en la parte frontal del inversor proporciona al usuario acceso a la información del inversor.



Imagen 3.1. Información general sobre los botones y las funciones

Tecla	Función
F1	Ajustar el nivel de contraste de la pantalla. Pulse el botón de flecha arriba/abajo mientras pulsa el botón F1.
F2	Sin función
F3	
F4	
Home	Vuelta a la pantalla principal
OK	Sin función
Flecha hacia arriba	Un paso arriba
Flecha hacia abajo	Un paso abajo
Flecha hacia la derecha	Se mueve el cursor hacia la derecha
Flecha hacia la izquierda	Se mueve el cursor hacia la izquierda
Back	Vuelta a la pantalla principal
On - Led verde	
Alarm - Led rojo	

Tabla 3.2. Información general sobre los botones y las funciones de la pantalla

La estructura de la pantalla está dividida en varias secciones:

1. Pantalla principal. Producción actual y diaria.  
Esta sección contiene los siguientes elementos:
  - Potencia de salida actual (kW)
  - Rendimiento energético diario (kWh)
  - Energía total (kWh)
  - Fecha actual
  - Hora actual
  - Modo de funcionamiento (#)
2. Información del inversor Esta sección contiene los siguientes elementos:
  - Modelo del inversor
  - Nombre del inversor
  - Número de serie del inversor
  - Dirección IP
  - Número de serie del SMA Inverter Manager
  - Versión de software del inversor

3. Valores actuales. Esta sección contiene los siguientes elementos:

- Tensión de CC y corriente
- Tensiones fase a fase
- Corrientes de fase
- Frecuencia de red

### 3.2.1 Ajuste inicial mediante LCS-Tool

El inversor y el SMA Inverter Manager deben ponerse en marcha con la herramienta de puesta en marcha y mantenimiento local (LCS-Tool). Es necesario realizar la puesta en marcha antes de que el inversor pueda conectarse a la red de CA y empezar a inyectar a la red.

La LCS-Tool permite seleccionar registros de datos nacionales predefinidos para redes diferentes. A través de SMA pueden proporcionarse registros de datos nacionales específicos del cliente y reproducirse mediante la LCS-Tool (véase las instrucciones de instalación del SMA Inverter Manager / LCS-Tool).

Tras la instalación, compruebe todos los cables y cierre el inversor.

Active la CA.

#### **⚠ ADVERTENCIA**

Es esencial que se seleccione el código de red correcto para cumplir con los estándares locales y nacionales.

Es posible crear archivos del código de red personalizados con valores de ajuste adaptados (consulte el capítulo 3.2.4).

### 3.2.2 Conecte el interruptor-seccionador de carga de CC.

#### ⚠ ATENCIÓN

Si activa el interruptor-seccionador de potencia de CC con la batería conectada, produce una avería irreparable en el inversor y la garantía se extingue.

- Asegúrese antes de activar el interruptor-seccionador de CC que la batería esté desconectada.

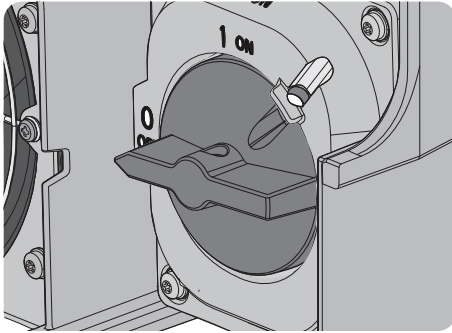


Imagen 3.2. Interruptor-seccionador de potencia de CC

Conecte el interruptor-seccionador de potencia de CC del inversor.

### 3.2.3 Puesta en marcha

El inversor arranca de forma automática. La batería se activa a través del SMA Inverter Manager. El arranque tarda unos minutos. Durante este intervalo, el inversor lleva a cabo un procedimiento de autoprueba.

#### i INDICACIÓN

El inversor está protegido contra la polarización a corto plazo. El inversor no generará potencia hasta que la polaridad no sea la correcta.

#### ⚠ ATENCIÓN

Una polarización duradera provoca que el inversor se averíe y, con ello, que se extinga la garantía.

- Asegúrese de que los cables estén correctamente conectados al inversor.

### 3.2.4 Archivo del código de red

#### i INDICACIÓN

Si el código de red deseado no está disponible o si la LCS-Tool advierte sobre versiones de software incompatibles, el ajuste de red y la biblioteca de software de la LCS-Tool deberán actualizarse.

Es posible crear archivos del código de red personalizados con valores de ajuste adaptados. Póngase en contacto con SMA Solar Technology AG.

### 3.2.5 Configuración del procedimiento de emergencia

Si se interrumpe la comunicación entre el inversor y el SMA Inverter Manager, el inversor pasa a un estado de funcionamiento predefinido (Fallback o procedimiento de emergencia). El estado de funcionamiento deseado en la interrupción de la comunicación se puede activar y configurar con el archivo de código de red específico del cliente o mediante la LCS-Tool. Para la configuración del procedimiento de emergencia superior de la instalación entre el SMA Inverter Manager y una unidad de regulación superior (p. ej. sistema SCADA o Power Plant Controller) consulte las instrucciones de instalación del SMA Inverter Manager / LCS-Tool.

#### i INDICACIÓN

Tenga en cuenta el procedimiento de su empresa suministradora de energía.

## 4 Mantenimiento

### 4.1 Resolución de problemas

La información se organiza en tablas donde se pueden ver los mensajes que aparecen en la LCS-Tool, conocidos como incidencias. Las tablas contienen descripciones de incidencias, así como explicaciones de las acciones que se deben llevar a cabo cuando se produce una.

Una lista con eventos de la batería puede verse contactando el productor de la batería.

Tipo de evento:	Muestra si la incidencia está relacionada con la categoría Grid, CC, Internal o Fail safe.
ID	La ID de la incidencia concreta.
Pantalla	Texto mostrado en la pantalla.
Descripción	Descripción de la incidencia.
Medida	Descripción de qué acción debe llevarse a cabo antes de ponerse en contacto con terceros.
Operador distribuidor de la red	Si la acción descrita no identifica la causa del funcionamiento defectuoso, póngase en contacto con el operador distribuidor de la red para obtener más ayuda.
Servicio Técnico de SMA	Si la acción descrita no identifica la causa del funcionamiento defectuoso, póngase en contacto con la asistencia técnica para obtener más ayuda(consulte el capítulo 6 "Contacto", página 119).
CC	Si la acción descrita no identifica la causa del funcionamiento defectuoso, póngase en contacto con el operador distribuidor de la batería para obtener más ayuda.

#### Incidencias relacionadas con la red

ID	Aviso de estado	Descripción	Medida	Operador distribuidor de la red	Servicio Técnico de SMA	CC
1-6		Tensión de red demasiado baja.	Compruebe la tensión y la instalación de CA. Si la tensión es cero, compruebe los fusibles.	x	-	-
7-9		La tensión media de la red durante 10 minutos es demasiado alta.	Compruebe que la instalación sea correcta según la guía de instalación. En caso afirmativo, pida un nuevo archivo del código de red con un límite de tensión o una potencia reactiva aumentados para suprimir la tensión.	x	-	-
10-15		Tensión de red demasiado alta.	Compruebe la tensión y la instalación de CA.	x	-	-
16-18		El inversor ha detectado un pico de tensión en la red.	Compruebe la tensión y la instalación de CA.	x	-	-



ID	Aviso de estado	Descripción	Medida	Operador distribuidor de la red	Servicio Técnico de SMA	CC
19, 22		Frecuencia de red demasiado baja o demasiado alta.	Compruebe la frecuencia de red.	x	-	-
28-30		Variación de frecuencia de red superada.	Compruebe la desviación de la frecuencia de red	x	-	-
31-33		Corriente CC en el lado CA demasiado alta.	Para incidencias diarias reiteradas, realice un análisis de red in situ.	-	x	-
34-37		El monitor de corriente residual (RCMU) ha medido un exceso de corriente.	Desconecte la CA y la CC y espere hasta que la pantalla se haya apagado. Después conecte la CC y la CA y observe si se produce de nuevo la incidencia. Realice una revisión visual de todos los cables y módulos de CC.	-	x	-
40	Red de CA fuera de rango	La red de CA ha estado fuera de rango durante más de 10 minutos (frecuencia o tensión).	Compruebe la frecuencia y la tensión de red, la versión de software y el ajuste del código de red.	x	-	-
41-43		Fault ride through. El inversor ha detectado que la tensión de red era inferior o superior a cierto nivel.	Si esta incidencia se produce varias veces al día, realice un análisis de red in situ.			
48, 51		Frecuencia de red demasiado baja o demasiado alta.	Compruebe la frecuencia de red y la instalación de CA.	x	-	-
54-56		Proporción de CC en el lado CA demasiado alta (fase 2).	Para incidencias diarias reiteradas, realice un análisis de red in situ.	x	-	-
61		Error de la red, detectada una fase abierta.	Si la incidencia se produce varias veces cada día, póngase en contacto con el operador de red.	x	-	-
62		Error de la red	Si la incidencia se produce varias veces cada día, póngase en contacto con el operador de red.	x	-	-
64-81		Tensión de la fase demasiado baja.	Compruebe la tensión y la instalación de CA. Si la tensión es cero, compruebe los fusibles.	x	-	-

Tabla 4.1. Incidencias relacionadas con la red

## Eventos relacionados a la batería

ID	Aviso de estado	Descripción	Medida	Operador distribuidor de la red	Servicio Técnico de SMA	CC
115, 260	DC ISO too low	La resistencia entre las conexiones de CC y la tierra (conductor de protección) es demasiado baja para que el inversor pueda ponerse en marcha. Esto obligará al inversor a realizar una nueva medición transcurridos 10 minutos.	<p>Realice una revisión visual de todos los cables de CC y la batería para una instalación correcta según lo establecido en las instrucciones de instalación. La incidencia podría indicar que no existe conexión del conductor de protección (PE).</p> <p><b>Advertencia:</b> La aparición reiterada de este mensaje varios días consecutivos indica un problema general en el aislamiento de CC. En este caso, será necesaria una exhaustiva comprobación del aislamiento, puesto que tampoco puede excluirse un fallo a tierra repentino durante el funcionamiento.</p> <p><b>Advertencia:</b> Un fallo a tierra durante el funcionamiento puede destruir el aparato completamente.</p>	-	x	x
258	DC voltage too high/ waiting	La tensión de CC es demasiado elevada.	Compruebe que la instalación y la disposición de batería correspondan a las recomendaciones de los manuales.	-	x	x
278		Advertencia de tensión de CC elevada.	Compruebe que la instalación y la disposición de batería correspondan a las recomendaciones de los manuales.	-	x	x
400	Charge current exceeded high limit	Corriente de carga es demasiado alta.	Compruebe el sistema de gestión de batería.	-	-	x
401	Discharge current exceeded high limit	La corriente de descarga es demasiado alta.	Compruebe el sistema de gestión de batería.	-	-	x
402	DC voltage exceeded high limit	La tensión de CC es demasiado elevada.	Compruebe el sistema de gestión de batería.	-	-	x

ID	Aviso de estado	Descripción	Medida	Operador distribuidor de la red	Servicio Técnico de SMA	CC
403	DC voltage exceeded low limit	La tensión de CC es demasiado baja.	Compruebe el sistema de gestión de batería.	-	-	x
491	Inverter lost communication from battery	Fallo de comunicación	Compruebe el cableado.	-	x	x
492	not defined	El formato de datos de los parámetros enviados de la batería no es compatible.	Póngase en contacto con el fabricante de la batería.	-	-	x

Tabla 4.2 Eventos relacionados a la batería

### Incidencias relacionadas con el sistema

ID	Aviso de estado	Descripción	Medida	Operador distribuidor de la red	Servicio Técnico de SMA	CC
2000		El subgrupo de comunicación arranca.	-	-	-	-
2010, 2011		La actualización de software del ordenador central se ha iniciado/ha finalizado.	-	-	-	-
2012 - 2018		La actualización de software ha fallado.	Vuelva a iniciar la actualización del software. Si se produce un error durante el proceso de actualización, póngase en contacto con el servicio técnico.	-	x	-
2030		La transmisión del código de red al ordenador central ha fallado.	Si esta incidencia se muestra a menudo, póngase en contacto con el servicio técnico.	-	x	-
2050		La conexión de ethernet está activa	No es necesario llevar a cabo ninguna acción. Este error sirve para identificar, por ejemplo, un cable de ethernet averiado.	-	-	-

ID	Aviso de estado	Descripción	Medida	Operador distribuidor de la red	Servicio Técnico de SMA	CC
2051		La conexión de ethernet está desconectada.	No es necesario llevar a cabo ninguna acción. Este error sirve para identificar, por ejemplo, un cable de ethernet averiado.	-	-	-
2052, 2053		La transmisión del código de red del SMA Inverter Manager al inversor se ha iniciado/terminado.	-	-	-	-
2054		La transmisión del código de red del SMA Inverter Manager al inversor ha fallado.	Si esta incidencia se muestra a menudo, póngase en contacto con el servicio técnico.	-	-	-
2055	Procedimiento de emergencia activado	El inversor pasa al modo de procedimiento de emergencia una vez se ha interrumpido la comunicación con el SMA Inverter Manager.		-	-	-
2056	Procedimiento de emergencia finalizado	El inversor vuelve a pasar al funcionamiento normal después de pasar al modo de procedimiento de emergencia a consecuencia de un error de comunicación con el SMA Inverter Manager.		-	-	-

Tabla 4.3. Incidencias relacionadas con el sistema

## Incidencias internas

ID	Aviso de estado	Descripción	Medida	Operador distribuidor de la red	Servicio Técnico de SMA	CC
201-208		La temperatura interna del inversor es demasiado elevada.	Compruebe que el inversor no está cubierto y que el tubo de ventilación no está bloqueado.	-	x	-
209, 210		La tensión en el circuito intermedio de CC es demasiado alta.	Si la incidencia persiste, desconecte la CC y la CA mediante los interruptores para reiniciar el inversor. Si la incidencia se repite, compruebe la tensión de CC máxima que muestra la pantalla para ver si se encuentra por encima de los límites.	-	x	-
211	Fan rpm low	La velocidad del ventilador es demasiado baja.	Compruebe si el ventilador del inversor está bloqueado.	-	x	-
213-215		Error interno. La tensión medida antes y después del relé difiere demasiado.	Póngase en contacto con el servicio técnico.	-	x	-
216-218		La corriente medida en el lado de CA es demasiado elevada.	Póngase en contacto con el servicio técnico.	-	x	-
219-221		Error interno. La tensión medida antes y después del relé difiere demasiado.	Póngase en contacto con el servicio técnico.	-	x	-
225-240, 275		Fallo en la memoria/ EEPROM.	Reinicie el inversor. Si la incidencia persiste, póngase en contacto con el servicio técnico.	-	x	-
241, 242, 245, 249		Error de comunicación interno.	Reinicie el inversor. Si la incidencia persiste, póngase en contacto con el servicio técnico.	-	x	-
248		Error interno de CPU.	Reinicie el inversor. Si la incidencia persiste, póngase en contacto con el servicio técnico.	-	x	-
252-254		La corriente medida en el lado de CA es demasiado elevada.	Si la incidencia persiste, póngase en contacto con el servicio técnico.	-	x	-
243, 263		Error interno.	Reinicie el inversor. Si la incidencia persiste, póngase en contacto con el servicio técnico.	-	x	-

ID	Aviso de estado	Descripción	Medida	Operador distribuidor de la red	Servicio Técnico de SMA	CC
279		Error de sensor de temperatura.	Si la incidencia persiste, póngase en contacto con el servicio técnico.	-	x	-
280		Duración de autoprueba: 24 horas. La autoprueba debe realizarse al menos una vez cada 24 horas.	Ninguna.	-	-	-
281		Demasiadas incidencias RCMU en las últimas 24 horas. Solo se permiten cuatro intentos de reconexión automática tras una incidencia 34 durante un periodo de 24 horas. El inversor intentará reconectarse automáticamente tras un periodo de tiempo determinado.	Espera hasta 24 horas. Si la incidencia 34 se repite, realice la acción correspondiente a la incidencia 34.	-	x	-
282		Configuración del código de red no válida.	Reinicie el inversor. Si el error persiste, pida al servicio técnico un nuevo archivo del código de red o un nuevo código de red estándar.	-	x	-
283		Error en el <i>gatedrive</i> .	Reinicie el inversor. Si la incidencia persiste, póngase en contacto con el servicio técnico.	-	x	-
323		Error del ventilador interno. Se ha reducido la potencia de salida máxima.	Si la incidencia persiste, póngase en contacto con el servicio técnico.	-	x	-

Tabla 4.4. Incidencias internas

### Incidencias generadas en la autoprueba

ID	Descripción	Medida	Operador distribuidor de la red	Servicio Técnico de SMA	CC
100	La corriente de entrada de CC es negativa. Error de sensor.	Compruebe la polaridad de la batería; si es correcta, póngase en contacto con el servicio técnico.	-	x	-
264	Se ha producido un error en la prueba del circuito de medición.	Si la incidencia persiste, póngase en contacto con el servicio técnico.	-	x	-

ID	Descripción	Medida	Operador distribuidor de la red	Servicio Técnico de SMA	CC
266	Se ha producido un error en la prueba del circuito de medición.	<b>Advertencia:</b> No accione el interruptor-seccionador de potencia de CC del inversor. La desconexión de la tensión de CC mediante un interruptor-seccionador de potencia de CC en la Combiner Box sigue siendo posible. No ejecute otras acciones ni actividades de conmutación en el inversor. Póngase en contacto inmediatamente con el servicio técnico.	-	x	x
272	Error del descargador de sobretensiones de CC. El inversor seguirá funcionamiento sin protección contra sobretensión.	Sustituya el descargador de sobretensiones de CC. Encontrará información más detallada en las instrucciones para cambiar los descargadores contra sobretensión.	-	x	-
273	Error del descargador de sobretensiones CA. El inversor seguirá funcionamiento sin protección contra sobretensión.	Sustituya el descargador de sobretensiones de red de CA. Encontrará información más detallada en las instrucciones para cambiar los descargadores contra sobretensión.	-	x	-
274	Estado del descargador de sobretensiones desconocido.	Reinicie el inversor. Si la incidencia persiste, póngase en contacto con el servicio técnico.	-	x	-
350-352	Se ha producido un error en la autoprueba del RCMU.	Póngase en contacto con el servicio técnico.	-	x	-
353	Se ha producido un error en la prueba del sensor de corriente.	Póngase en contacto con el servicio técnico.	-	x	-
356-361	Se ha producido un error en la prueba del transistor y el relé o en el relé del inversor (contacto posiblemente soldado).	<b>Advertencia:</b> No accione el interruptor-seccionador de potencia de CC del inversor. La desconexión de la tensión de CC mediante un interruptor-seccionador de potencia de CC en la Combiner Box sigue siendo posible. No ejecute otras acciones ni actividades de conmutación en el inversor. Póngase en contacto inmediatamente con el servicio técnico.	-	x	-
366	Se ha producido un error en la autoprueba del RCMU.	Póngase en contacto con el servicio técnico.	-	x	-

Tabla 4.5. Incidencias provocadas por la autoprueba

## 4.2 Mantenimiento

Asegúrese de que no se cubra el disipador térmico que se encuentra en la parte posterior del inversor.

Para garantizar un funcionamiento correcto y una larga vida útil, asegure una buena ventilación

- alrededor del disipador térmico, en la parte superior y lateral del inversor, donde el aire se expulsa, y
- en el ventilador de la base del inversor.

Para despejar las obstrucciones, limpie utilizando aire comprimido, un paño suave o un cepillo.

### ADVERTENCIA

La temperatura del disipador térmico puede superar los 70 °C.



## 5 Datos técnicos

### 5.1 Especificaciones

Parámetro	STPS60-10
<b>CA</b>	
Potencia asignada a tensión nominal	75000 W
Potencia aparente de CA máxima	75000 VA
Máxima potencia reactiva	75000 var
Tensión nominal de CA	3 / PE; 400 V $\pm$ 10 %
Rango de tensión de CA	360 V a 530 V
Corriente máx. de salida	109 A
Coefficiente de distorsión de CA (THD a potencia nominal)	$\leq$ 1%
Factor de potencia con potencia asignada	1
Factor de potencia a potencia asignada/factor de desfase ajustable	1/0 inductivo a 0 capacitivo
Consumo de energía en standby (solo comunicaciones)	< 3 W
Frecuencia de red de CA/Rango	50 Hz/44 Hz a 55 Hz 60 Hz/54 Hz a 65 Hz
Fases de inyección/conexión	3 / 3
<b>CC</b>	
Potencia de carga máxima	60000 W
Rango de tensión de CC	570 V a 1000 V
Corriente de entrada máx. con 660 V	140 A
Categorías de sobretensión	CA: Categoría de sobretensión III (OVC III), CC: Categoría de sobretensión II (OVC II)
Descargador de sobretensión de CC/CA integrables	Tipo II/II + III (combinado)
<b>Rendimiento</b>	
Rendimiento máximo	98,8 %
<b>Carcasa</b>	
Dimensiones (anchura x altura x profundidad)	740 x 570 x 306 mm
Peso	77 kg
Nivel acústico	58 dB(A) (típico)

Tabla 5.1 Especificaciones

Parámetro		STPS60-10
<b>Clase de protección (según IEC 62109-1)</b>		I
<b>Eléctrico</b>		
Seguridad eléctrica		<ul style="list-style-type: none"> <li>• IEC 62109-1/IEC 62109-2 (clase I, conectado a tierra - comunicación componente clase II, PELV)</li> </ul>
<b>Funcional</b>		
Seguridad funcional		<ul style="list-style-type: none"> <li>• Monitorización de tensión y frecuencia</li> <li>• Monitorización del contenido CC de la corriente alterna (CA)</li> <li>• Monitorización de la resistencia de aislamiento</li> <li>• Control de la corriente de fugas</li> </ul>
Detección de funcionamiento en isla: pérdida de la red eléctrica		<ul style="list-style-type: none"> <li>• Cambio de frecuencia activa</li> <li>• Desconexión</li> <li>• Monitorización trifásica de la red</li> <li>• ROCOF/SFS</li> </ul>
Compatibilidad con RCD <sup>1)</sup>		Tipo B, 1000 mA

Tabla 5.2. Especificaciones de seguridad

<sup>1)</sup> En función de la normativa local

## 5.2 Conformidad

Estándares internacionales	STPS60-10
Rendimiento	Rendimiento máximo, estándar: EN 50530
Directiva EC de baja tensión	2014/35/EU
Directiva sobre compatibilidad electromagnética (CEM)	2014/30/EU
Seguridad	EN 62109-1:2010/EN 62109-2:2011
Seguridad funcional	EN 62109-2:2011
Inmunidad a la interferencia, CEM	EN 61000-6-2:2005
Emisión de interferencias, CEM	EN 55011:2016 grupo 1, clase A
Corrientes armónicas	EN 61000-3-12
CE	Si
Características de la red	IEC 61727
	EN 50160

## 5.3 Condiciones de la instalación

Parámetro	Especificación
Rango de temperatura de funcionamiento	-25 °C a 60 °C*
Temperatura de almacenamiento	-30 °C a 60 °C
Temperatura máx. para la instalación y mantenimiento	45 °C
Valor máximo admisible para la humedad relativa del aire (sin condensación)	95 %
Índice de contaminación	PD2
Categoría medioambiental IEC 62109-1	Exteriores, húmedo (Para información más detallada, consulte Capítulo 2, página 92)
Clase ambiental según IEC 60721-3-4	4K4H/4Z4/4B2/4S3/4M2/4C2
Sistema de refrigeración	Refrigeración forzada
Calidad del aire: general	ISA S71.04-1985 Clase G3 (a 75% HR)
Calidad del aire: zonas costeras, muy industrializadas y agrícolas	Debe ser calculada y clasificada según ISA S71.04-1985: G3 (con 75% HR)
Vibraciones	< 1G
Clase de protección de la carcasa	IP65
Carcasa tipo UL 50E	NEMA 3R
Altitud máxima de funcionamiento	2000 m sobre el nivel del mar (a partir de 1000 m de altitud puede ocurrir una reducción de potencia).**
Instalación	Evite el flujo constante de agua. Evite la luz solar directa. Asegúrese de que haya suficiente ventilación. Móntelo en una superficie ignífuga. Móntelo recto en una superficie vertical. Evite la exposición a polvo y gases de amoníaco.

\* Posible reducción de potencia por encima de 45 °C (para obtener más información, consulte la información técnica "Rendimiento y derrateo")

\*\* Instalaciones en altitudes > 2000 m son posibles a petición del cliente; póngase en contacto con SMA Solar Technology AG.

Tabla 5.6. Condiciones de la instalación

## 5.4 Especificaciones del par de apriete

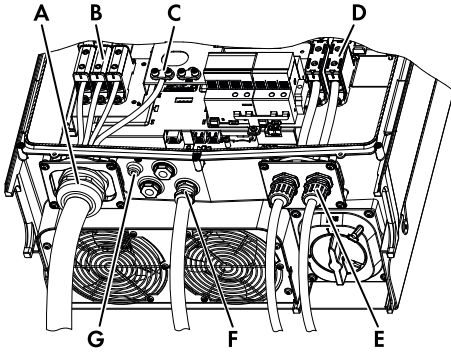


Imagen 5.2. Vista general del inversor con indicaciones del par de apriete

	Parámetro	Herramienta	Par de apriete
A	Racor atornillado para cables M63	Llave 65/68 mm	6 Nm
	Tuerca de unión para racores atornillados para cables M63	Llave 65/68 mm	3 Nm
B	Borne de CA	HX 8	20 Nm (Diámetro del revestimiento del cable = 35 a 95 mm); 30 Nm (Diámetro del revestimiento del cable = 96 a 150 mm)
C	Conductor de protección primario (secundario a la derecha)	TX 30	3,9 Nm
D	Bornes de conexión de CC	HX 8	20 Nm (Diámetro del revestimiento del cable = 35 a 95 mm);
			30 Nm (Diámetro del revestimiento del cable = 96 a 150 mm)
E	Racor atornillado para cables M32	Llave 42 mm	6 Nm
	Tuerca de unión para racores atornillados para cables M32	Llave 42 mm	1,8 Nm
F	Racor atornillado para cables M25	Llave 33 mm	4 Nm
	Tuerca de unión para racores atornillados para cables M25	Llave 33 mm	1,8 Nm
G	Conexión a tierra para equipo M6 (borne de conexión equipotencial)	TX 20	3,9 Nm
	Tornillo frontal (no se muestra)	TX 30	1,5 Nm

Tabla 5.7. Especificaciones del par de apriete

## 5.5 Especificaciones del circuito de la red eléctrica

Parámetro	Especificación
Corriente máxima del inversor, $I_{c,max}$	109 A
Tipo de cortacircuitos fusible utilizables gR (IEC 60269-1)	160 A
Disyuntor utilizable (MCB) tipo B o C	160 A
Tamaño máximo del fusible	160 A

Tabla 5.8. Especificaciones del circuito de la red eléctrica



### INDICACIÓN

Tenga en cuenta la normativa local.

## 5.6 Especificaciones de las interfaces de comunicación

Interfaz	Parámetro	Datos de los parámetros	Especificación
Ethernet	Cable	Diámetro exterior del cable ( $\varnothing$ )	2 x 5 a 7 mm
		Tipo de cable	Par trenzado apantallado (STP CAT 5e o SFTP CAT 5e) <sup>1)</sup>
		Impedancia característica del cable	100 $\Omega$ a 120 $\Omega$
	Conectores RJ45: 2 uds RJ45 para ethernet	Calibre de cable	0,14 a 0,25 mm <sup>2</sup> (en función del enchufe metálico de acoplamiento RJ45)
		Terminación de la pantalla del cable	Mediante enchufe metálico RJ45
	Conexión para aislamiento galvánico		Sí, 500 Vrms
	Protección frente a contactos directos	Aislamiento doble/reforzado	Sí
	Protección frente a cortocircuitos		Sí
	Comunicación	Topología de red	Conexión en estrella, en anillo y en cadena
	Cable	Longitud máxima de cableado entre inversores	100 m
Número máx. de inversores	Por SMA Inverter Manager	20	

Tabla 5.9. Especificaciones de la interfaz auxiliar

<sup>1)</sup> (consulte el capítulo 2.8 "Conexiones de ethernet", página 98)

## 5.7 Conexiones de ethernet

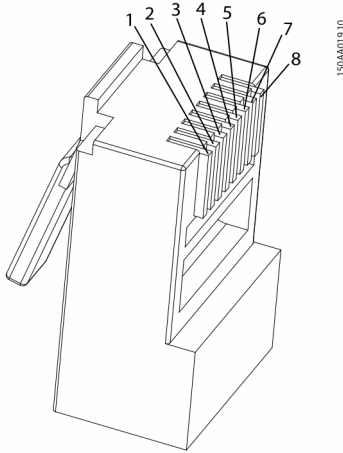


Imagen 5.4. Datos del diagrama de pines RJ45 para ethernet

Diagrama de pines para ethernet	Colores estándar	
	Cat. 5 T-568A	Cat. 5 T-568B
1. RX+	Verde/blanco	Naranja/blanco
2. RX	Verde	Naranja
3. TX+	Naranja/blanco	Verde/blanco
4.	Azul	Azul
5.	Azul/blanco	Azul/blanco
6. TX-	Naranja6,	Verde
7.	Marrón/blanco	Marrón/blanco
8.	Marrón	Marrón

### 5.7.1 Topología de red

El inversor tiene dos conectores hembra RJ45 que permiten conectar varios inversores y la batería en una topología lineal como alternativa a la topología típica en estrella.

#### INDICACIÓN

La topología de anillo (C en la imagen 5.5) solo está permitida si se hace con árbol de expansión compatible y conmutador de ethernet.

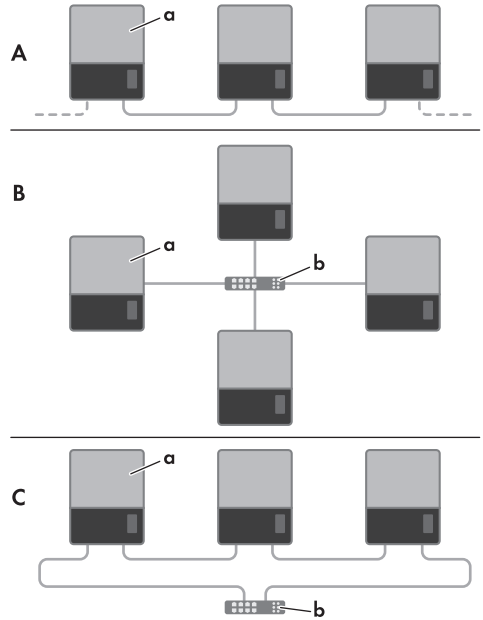


Imagen 5.5. Topología de red

- A Conexión en cadena lineal
- B Topología en estrella
- C Topología en anillo (solo con árbol de expansión)
- a Inversor
- b Conmutador ethernet

El estado de los led junto al puerto ethernet se explica en la tabla 5.12. Hay dos leds por cada puerto.

Estado	Led amarillo	Led verde
Off	Velocidad de transmisión de 10 MBit/s	Sin enlace
On	Velocidad de transmisión de 100 MBit	Enlace
Intermit ente	-	Actividad

Tabla 5.12. Estados de leds

## 6 Contacto

Si surge algún problema técnico con nuestros productos, póngase en contacto con el Servicio Técnico de SMA. Para ayudarle de forma eficaz, necesitamos que nos facilite estos datos:

- Modelo del inversor
- Número de serie del inversor
- Versión de firmware del inversor
- En su caso, configuraciones especiales del inversor para cada país
- Lugar y altura de montaje del inversor
- Aviso de la pantalla
- Tipo de batería conectada
- Versión de firmware de la batería conectada

## Dispositions légales

Les informations contenues dans ce document sont la propriété de SMA Solar Technology AG. Toute reproduction complète ou partielle de ces informations requiert l'accord écrit de SMA Solar Technology AG. Une reproduction interne destinée à l'évaluation du produit ou à son utilisation conforme est autorisée et ne requiert aucun accord de notre part.

### Garantie SMA

Vous pouvez télécharger les conditions de garantie actuelles sur le site [www.SMA-Solar.com](http://www.SMA-Solar.com).

### Marques déposées

Toutes les marques déposées sont reconnues, y compris dans les cas où elles ne sont pas explicitement signalées comme telles. L'absence de l'emblème de la marque ne signifie pas qu'un produit ou une marque puisse être librement commercialisé(e).

### SMA Solar Technology AG

Sonnenallee 1  
34266 Niestetal  
Allemagne

Tél. +49 561 9522-0  
Fax +49 561 9522-100  
[www.SMA.de](http://www.SMA.de)  
E-mail : [info@SMA.de](mailto:info@SMA.de)


Copyright © 2019 SMA Solar Technology AG.  
Tous droits réservés.



### Désignations utilisées dans le document

Désignation complète	Désignation dans ce document
Sunny Tripower Storage 60	Onduleur, produit



## CONSIGNES DE SÉCURITÉ IMPORTANTES

### Niveaux de mise en garde


Symbole	Explication
	Information relative à la sécurité dont le non-respect entraîne inévitablement des blessures corporelles graves, voire mortelles.


Symbole	Explication
	Information relative à la sécurité dont le non-respect entraîne des blessures corporelles graves, voire la mort.
	Information relative à la sécurité dont le non-respect peut entraîner des blessures corporelles légères ou de moyenne gravité.
<b>PRUDENCE</b>	Information relative à la sécurité dont le non-respect peut entraîner des dommages matériels.

### Symboles utilisés dans le document

Symbole	Explication
	Remarque signalant que la section suivante décrit des opérations qui ne doivent être réalisées que par du personnel qualifié
	Information importante sur un thème ou un objectif précis, mais ne relevant pas de la sécurité
<input type="checkbox"/>	Condition qui doit être remplie pour atteindre un objectif précis
<input checked="" type="checkbox"/>	Résultat souhaité
<b>x</b>	Problème susceptible de survenir

### Consignes de sécurité

	Respectez impérativement ces instructions lors de l'installation et de l'entretien de l'onduleur.
---	---

	<b>Avant l'installation</b> Vérifiez si l'onduleur et l'emballage présentent des dommages apparents. En cas de doute, contactez le fournisseur avant l'installation.
---	---



**⚠ AVERTISSEMENT****Installation / Service**

Pour garantir une sécurité optimale, vous devez respecter les étapes suivantes décrites dans ce document. Prenez en compte que l'onduleur a deux zones soumises à tension : l'entrée PV et le réseau AC.

**⚠ DANGER****Déconnexion de l'onduleur**

Avant d'intervenir sur l'onduleur, coupez l'alimentation AC au niveau de l'interrupteur d'alimentation et l'alimentation DC en utilisant l'interrupteur-sectionneur DC intégré. Veillez à empêcher toute reconnexion accidentelle de l'onduleur. Utilisez un détecteur de tension afin de vérifier que l'appareil est déconnecté et hors tension. Après la déconnexion du réseau électrique et de la batterie, attendez au moins cinq minutes avant de continuer.

**⚠ DANGER****Danger de mort par choc électrique dû à des câbles DC conducteurs**

Les câbles DC raccordés à la batterie peuvent être sous tension. Le contact avec les conducteurs DC ou composants conducteurs provoque des chocs électriques susceptibles d'entraîner la mort.

- Ne touchez pas aux extrémités des câbles dénudés.
- Ne touchez pas les composants conducteurs.
- Le montage, l'installation et la mise en service de l'onduleur et de la batterie ne doivent être effectués que par du personnel qualifié.
- Respectez toutes les consignes de sécurité du fabricant des batteries.
- Avant de commencer tout travail sur l'onduleur et la batterie, mettez toujours l'onduleur et la batterie hors tension.
- Attendez cinq minutes avant d'intervenir sur l'onduleur.
- Si une erreur survient, faites-la corriger exclusivement par du personnel qualifié.

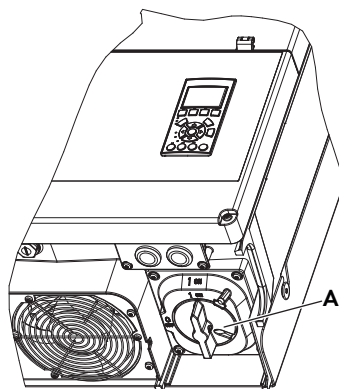


Figure 1: Interrupteur-sectionneur DC

A Interrupteur-sectionneur DC

**i REMARQUE**

L'interrupteur-sectionneur DC peut être verrouillé en position d'arrêt à l'aide d'un cadenas.

**i REMARQUE**

L'onduleur n'est pas prévu pour être utilisé dans les zones résidentielles et ne peut pas garantir une protection appropriée des centres de réception radio-électrique contre les perturbations électromagnétiques. Conformément à EN 55011:2016, l'onduleur peut être exploité uniquement sur les sites où la distance entre l'onduleur et les dispositifs de radiocommunication sensibles est supérieure à 30 m et où un transformateur de puissance individuel est utilisé.

**⚠ ATTENTION****MAINTENANCE ET MODIFICATION**

Les réparations et changements d'équipement sur l'onduleur doivent être effectués uniquement par un personnel qualifié autorisé. Pour garantir la sécurité des personnes, utilisez uniquement des pièces de rechange d'origine disponibles auprès du fournisseur.

**⚠ AVERTISSEMENT****INSTALLATEUR**

Les circuits d'entrée et de sortie sont isolés du boîtier. La mise à la terre du système est à la charge de l'installateur.

**⚠ AVERTISSEMENT****RISQUE DE CHOC ÉLECTRIQUE**

Ces instructions sont destinées uniquement à un personnel qualifié. Pour réduire le risque de choc électrique, ne réalisez aucune autre opération d'entretien que celles spécifiées dans ces instructions, sauf en cas de qualification adéquate.

**⚠ AVERTISSEMENT****Risque de défaut à la terre côté DC en cours de fonctionnement**

De par la topologie sans transformateur du produit, l'apparition de défauts à la terre côté DC durant le fonctionnement peut entraîner des dommages irréparables. L'endommagement du produit dû à une installation DC erronée ou endommagée n'est pas couvert par la garantie. Le produit est doté d'un dispositif de protection, qui contrôle exclusivement durant l'opération de démarrage la présence d'un défaut à la terre. Le produit n'est pas protégé durant le fonctionnement.

- Veillez à ce que l'installation DC soit réalisée correctement et qu'aucun défaut à la terre ne survienne durant le fonctionnement.

**⚠ AVERTISSEMENT****Risque de brûlure dû à des arcs électriques**

Les courants de court-circuit de la batterie peuvent provoquer des dégagements de chaleur et des arcs électriques.

- Avant toute intervention sur la batterie, celle-ci doit être mise hors tension.
- Lors de tous les travaux effectués sur la batterie et sur l'onduleur, respectez les consignes de sécurité du fabricant de la batterie.

**⚠ AVERTISSEMENT**

Cet onduleur sans transformateur fonctionne en conjonction avec une batterie non mise à la terre (avec potentiel flottant). Cet onduleur sans transformateur fonctionne en conjonction avec un générateur photovoltaïque non mis à la terre (avec potentiel flottant).

**⚠ AVERTISSEMENT**

Les circuits d'entrée et de sortie sont isolés du boîtier. La mise à la terre du système est à la charge de l'installateur.

**⚠ ATTENTION**

Toutes les personnes amenées à installer et entretenir des onduleurs doivent :

- être formées et agréées en matière de consignes de sécurité générales pour toute intervention sur des équipements électriques ;
- être au fait des exigences, règles et règlements locaux en matière d'installation.

**⚠ ATTENTION**

L'onduleur n'est pas protégé contre les surintensités. Cette fonction doit être prévue par l'installateur. Voir le tableau 5.8.

**⚠ ATTENTION**

La température des éléments froids et d'autres composants à l'intérieur de l'onduleur peut atteindre 70 °C et plus. Il existe un risque de brûlure.

L'onduleur doit être installé de sorte que tout contact avec les composants chauds est évité.

**i REMARQUE**

Le symbole du conducteur de protection utilisé dans ces instructions est identifié sur la figure 2.18.

Le symbole de mise hors tension DC est identifié dans le Chapitre 3.2.2, page 139.






**i REMARQUE**


Pour plus d'informations sur la plage de température de fonctionnement, voir Chapitre 5.3, page 151.

**i REMARQUE**

Ces instructions contiennent des informations sur le câblage sur site et les spécifications de couple de serrage. Voir le Chapitre 5.4, page 152.

## Symboles figurant sur l'onduleur

Symbole	Explication
	Danger de mort par choc électrique Le produit fonctionne avec des tensions élevées. Toute intervention sur le produit doit être effectuée exclusivement par du personnel qualifié.
	Danger Ce symbole indique que l'onduleur doit être mis à la terre de façon supplémentaire si une mise à la terre supplémentaire ou une liaison équipotentielle est nécessaire sur place.
	Danger de mort dû à de hautes tensions dans l'onduleur. Respectez un délai d'attente  Les composants conducteurs de courant de l'onduleur sont soumis à de hautes tensions qui peuvent provoquer des chocs électriques susceptibles d'entraîner la mort.  Avant toute intervention sur l'onduleur, mettez toujours ce dernier hors tension comme décrit dans le présent document.
	Risque de brûlure au contact de surfaces brûlantes Au cours du fonctionnement, le produit peut devenir brûlant. Évitez tout contact avec l'appareil pendant le fonctionnement. Laissez le produit refroidir suffisamment avant toute intervention.
	Respectez la documentation Suivez toutes les informations données dans la documentation fournie avec le produit.

Symbole	Explication
	Marquage DEEE N'éliminez pas le produit avec les ordures ménagères ordinaires, mais conformément aux prescriptions d'élimination applicables pour les déchets d'équipements électriques et électroniques en vigueur sur le lieu d'installation.

## Conformité

Pour plus d'informations, reportez-vous à la zone de téléchargement du site [www.SMA-Solar.com](http://www.SMA-Solar.com) (voir aussi Chapitre 5, page 149).

# 1 Introduction

Le Sunny Tripower Storage 60 est un onduleur-chargeur à couplage AC pour l'exploitation du réseau en parallèle.

L'onduleur convertit le courant continu fourni par une batterie en courant alternatif triphasé conforme au réseau. Pour un fonctionnement correct, l'onduleur doit être relié à un réseau d'approvisionnement et à un nombre suffisant d'une batterie autorisée. L'onduleur ne convient à aucune autre application (par exemple fonctionnement avec des installations photovoltaïques ou éoliennes).

Le produit doit exclusivement être utilisé comme matériel stationnaire.

Le produit ne doit être mis en service qu'avec une batterie à sécurité intrinsèque autorisée par SMA Solar Technology AG. La batterie doit disposer d'un dispositif de sectionnement séparé. Vous trouverez une liste à jour des batteries autorisées par SMA Solar Technology AG sur [www.SMA-Solar.com](http://www.SMA-Solar.com).

La batterie doit correspondre aux normes et directives en vigueur sur le site et présenter une sécurité intrinsèque.

L'interface de communication de la batterie utilisée doit être compatible avec le produit. Toute la plage de tension de la batterie doit se situer entièrement dans la plage de tension d'entrée DC autorisée du produit. La tension d'entrée DC maximale autorisée du produit ne doit pas être dépassée.

Le système de stockage est constitué de 3 composants principaux :

- Onduleurs
- SMA Inverter Manager

Le SMA Inverter Manager est toujours requis pour le fonctionnement de l'onduleur. Il est possible de brancher jusqu'à 20 onduleurs et 20 batteries sur le SMA Inverter Manager. Le SMA Inverter Manager traite toutes les communications avec les onduleurs et les batteries. Il crée un point d'interface unique pour les systèmes de saisie des données, les services d'envoi vers un cloud et la commande de centrales électriques.

- Outil de mise en service et de service local (LCS-Tool)

Le LCS-Tool est requis pour la mise en service et l'utilisation de l'onduleur avec le SMA Inverter Manager. LCS-Tool sert d'interface utilisateur primaire pour l'installation.

## 1.1 Vue d'ensemble du système

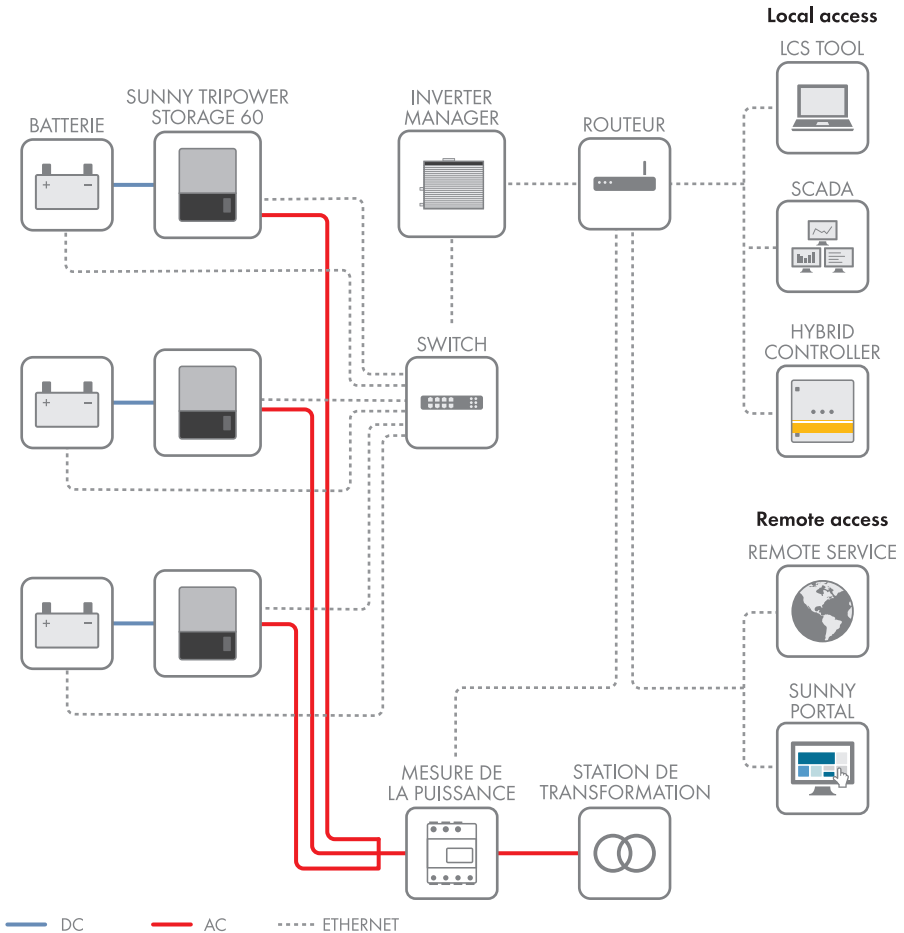


Figure 1.1 : Vue d'ensemble du système

## 1.2 Objet des ces instructions

Ces instructions contiennent des informations sur l'installation et la mise en service de l'onduleur.

Les ressources supplémentaires suivantes sont disponibles :

- La notice résumée d'installation de l'onduleur contient des informations nécessaires à la mise en service ainsi qu'à la configuration de la communication.
- Les instructions d'installation du SMA Inverter Manager contiennent des informations nécessaires sur la mise en service ainsi que sur l'établissement de la communication.
- Le Manuel de service du ventilateur donne les informations nécessaires au remplacement d'un ventilateur défectueux.
- Le Manuel de service de la protection contre les surtensions donne les informations nécessaires au remplacement des dispositifs de protection contre les surtensions.

Ces documents sont disponibles dans la zone de téléchargement sur [www.SMA-Solar.com](http://www.SMA-Solar.com). Ils sont aussi disponibles auprès du fournisseur de l'onduleur.

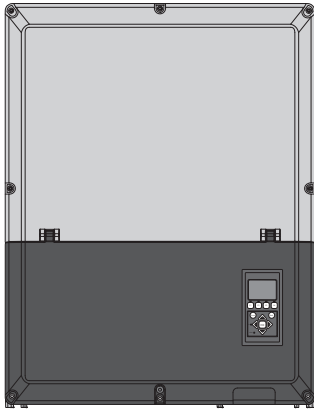


Figure 1.2 Vue de face de l'onduleur

Abréviation	Description
cat5e	Câble à paires torsadées de catégorie 5 pour la transmission de données
DHCP	Dynamic Host Configuration Protocol (protocole de configuration dynamique des hôtes)
DSL	Digital Subscriber Line (ligne numérique d'abonné)
CEM (directive)	Directive sur la compatibilité électromagnétique
DES	Décharge électrostatique
FRT	Fault Ride Through (alimentation sans panne)
GSM	Global System for Mobile Communications (réseau mondial de communication mobile)
HDD	Hard Disk Drive (lecteur de disque dur)
IEC	Commission électrotechnique internationale
TI	Terre isolée
LCS	Local Commissioning and Service Tool (outil de service et de mise en service locale)
DEL	Leuchtdiode
DBT (directive)	Directive basse tension

Abréviation	Description
MCB	Miniature Circuit Breaker (disjoncteur miniature)
MPP	Maximum Power Point (point de puissance maximale)
P	P est le symbole de la puissance active, mesurée en watts (W).
PCB	Carte imprimée
PCC	Point of Common Coupling (point de connexion au réseau) Point sur le réseau d'électricité public auquel d'autres clients sont ou pourraient être connectés.
PE	Mise à la terre pour des raisons de protection
PELV	Protective Extra-Low Voltage (très basse tension de protection)
PLA	Power Level Adjustment (limitation de la puissance de sortie)
$P_{NOM}$	Puissance [W] dans les conditions nominales
POC	Point de raccordement Point auquel le système est connecté au réseau d'approvisionnement public.
$P_{STC}$	Puissance [W] dans des conditions de test standard
PV	Énergie photovoltaïque, cellules photovoltaïques
DDR	Residual-Current Device (dispositif à courant différentiel résiduel)
RCMU	Residual Current Monitoring Unit (unité de surveillance du courant de défaut)
$R_{ISO}$	Résistance d'isolement
ROCOF	Rate Of Change Of Frequency - (taux de changement de fréquence)
Q	Q est le symbole de la puissance réactive et se mesure en voltampères réactifs (VAR)
S	S est le symbole de la puissance apparente et se mesure en voltampères (VA)
SOC	State of Charge (État de charge de la batterie)
STC	Standard Test Conditions (conditions de test standard)
SO	Logiciel

Abréviation	Description
THD	Total Harmonic Distortion (distorsion harmonique totale)
TN-S	Réseau AC avec neutre et protection séparés
TN-C	Réseau AC avec neutre et protection confondus
TN-C-S	Système combiné TN-C et TN-S : la séparation du conducteur neutre et du conducteur de protection a lieu au niveau du point de transition entre le réseau de distribution et l'installation du client.
TT	Réseau AC avec séparation entre la terre de service du générateur et la terre de l'installation consommatrice
GRD	Gestionnaire du réseau de distribution

### 1.3 Déballage

Vérifiez si la livraison est complète pour chaque produit et ne présente pas de dommage apparent.

En cas de livraison incomplète ou de dommages, contactez votre revendeur.

Le contenu de livraison peut comporter des éléments supplémentaires

non requis pour l'installation.

Contenu :

- Onduleurs
- Support mural
- Contenu du sac d'accessoires :
  - 6 chevilles 8 x 50 mm
  - 6 vis de montage 6 x 60 mm
  - 1 presse-étoupe M25 avec bague d'étanchéité pour câbles Ethernet
  - 1 boulon de mise à la terre M6 x 12 mm
- Instructions d'installation
- Notice résumée pour l'installation

### 1.4 Plaque signalétique de l'onduleur

La plaque signalétique permet d'identifier l'onduleur de manière univoque. Les données figurant sur la plaque signalétique sont utiles pour une utilisation sûre du produit et en cas de question au Service en Ligne de SMA. Les informations suivantes figurent sur la plaque signalétique :

- Type d'appareil (modèle)
- Numéro de série (Serial No.)
- Date de fabrication (Date of manufacture)
- Caractéristiques spécifiques à l'appareil

## 1.5 Ordre d'installation

1. Veuillez respecter l'ensemble des consignes de sécurité de ces instructions!
2. Montez l'onduleur conformément aux indications fournies au Chapitre 2.1, page 129, au Chapitre 2.2, page 130 et au Chapitre 2.3, page 131.
3. Ouvrez l'onduleur en respectant les instructions du Chapitre 2.5, page 132.
4. Installez l'alimentation AC en respectant les consignes du Chapitre 2.6, page 133.
5. Installez Ethernet conformément aux indications du Chapitre 5.7, page 154.
6. Fermez l'onduleur en respectant les consignes du Chapitre 2.5, page 132.
7. Activez l'interrupteur-sectionneur DC.
8. Mettez l'appareil sous tension AC.
9. Mettez la batterie en marche.
10. Effectuez la mise en service à l'aide de LCS-Tool. Le LCS-Tool est disponible dans la zone de téléchargement à l'adresse [www.SMA-Solar.com](http://www.SMA-Solar.com).  
Exigences matérielles pour LCS-Tool :
  - Ordinateur avec Windows™ version 7 ou supérieure
  - Disque dur de 1 Go
  - 2 Go de RAM
 LCS-Tool doit être installé sur un disque local de l'ordinateur. L'ordinateur doit être connecté au réseau d'installation du SMA Inverter Manager. Pour la configuration via LCS-Tool, voir le Chapitre 3.2.1, page 139.
11. Vérifiez l'installation sur la base des critères suivants :
  - écran de l'onduleur : la DEL « On » est allumée constamment en vert.
  - LCS-Tool : l'état de l'onduleur affiche « On grid ».
  - État de la batterie via le SMA Inverter Manager
12. L'onduleur est maintenant en service.

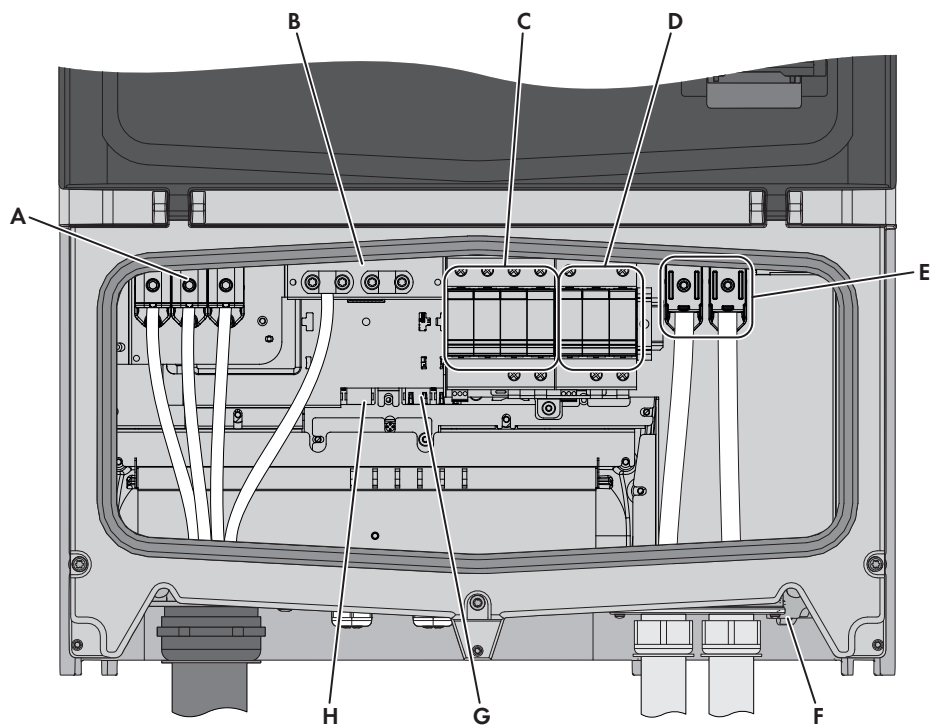


Figure 1.3 Vue d'ensemble de l'installation

**PELV (peuvent être touchés sans danger)**

B	Mise à la terre de l'onduleur
---	-------------------------------

G	Interface Ethernet x 2
---	------------------------

H	Interface RS485 (non utilisée)
---	--------------------------------

**Composants conducteurs**

A	Bornes AC
---	-----------

E	Bornes DC
---	-----------

**Autres**

C	Protection contre les surtensions AC
---	--------------------------------------

D	Protection contre les surtensions DC
---	--------------------------------------

F	Interrupteur-sectionneur DC
---	-----------------------------

Tableau 1.2 : Vue d'ensemble de l'installation



## 2 Installation

### 2.1 Environnement et distances



Figure 2.1 Éviter toute exposition continue à l'eau

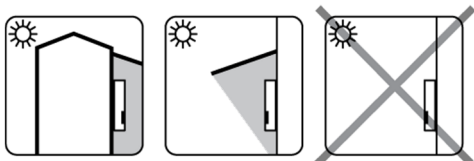


Figure 2.2 Éviter le rayonnement solaire direct

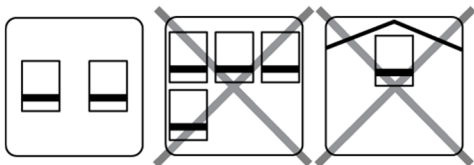


Figure 2.3 Prévoir une circulation d'air adéquate

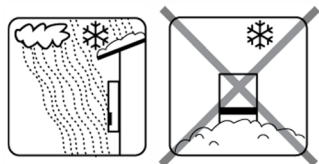


Figure 2.4 Prévoir une circulation d'air adéquate

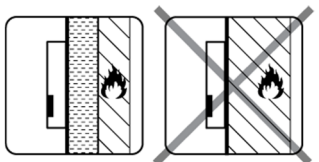


Figure 2.5 Monter sur une surface non inflammable

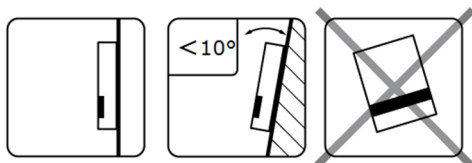


Figure 2.6 Installer sur une surface verticale. Une inclinaison vers l'arrière inférieure ou égale à 10 degrés est permise.



Figure 2.7 Éviter la présence de poussière et de gaz ammoniac

#### **i** REMARQUE

Lors du choix du lieu d'installation, s'assurer que les informations sur le produit et les mises en garde sur l'onduleur sont visibles à tout moment. Pour plus de détails, reportez-vous au Chapitre 5, page 149.

## 2.2 Montage du support mural

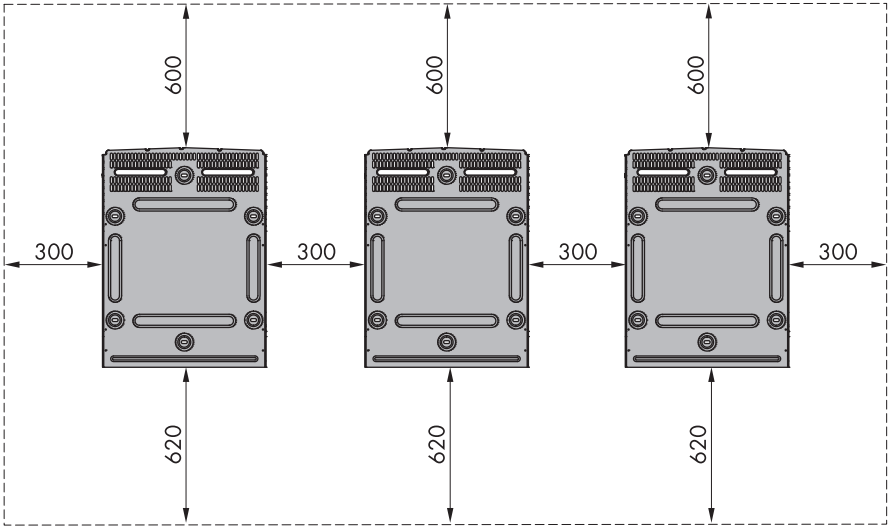


Figure 2.8 Distances de sécurité en mm

**i** REMARQUE

Pour une circulation d'air suffisante, respectez les distances de sécurité avec les autres objets (voir figure 2.8).

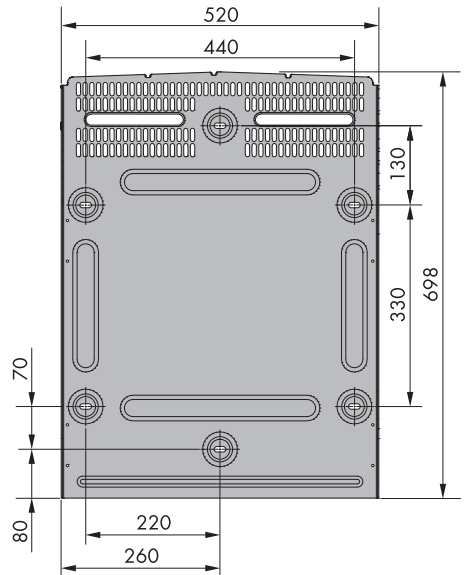


Figure 2.9 Dimensions du support mural en mm

### **i** REMARQUE

Il est obligatoire d'utiliser le support mural fourni avec l'onduleur. Le montage de l'onduleur sans support mural annule toute possibilité de recours à la garantie. Il est fortement recommandé d'utiliser les 6 trous de montage (voir figure 2.10).

#### Montage du support mural :

- Installez le support mural dans l'environnement défini.
- Utilisez des vis et des chevilles capables de supporter le poids de l'onduleur en toute sécurité.
- Veillez à ce que le support mural soit correctement installé.
- Respectez les distances de sécurité pour l'installation d'un ou de plusieurs onduleurs afin que l'air circule correctement. Les distances sont spécifiées sur la figure 2.8 et sur l'étiquette du support mural.
- Il est recommandé d'installer plusieurs onduleurs sur une même ligne. Contactez le fournisseur pour connaître les directives de montage des onduleurs sur plusieurs lignes.
- Veillez à respecter une distance adéquate à l'avant pour garantir une installation sûre et l'accès au service de l'onduleur.

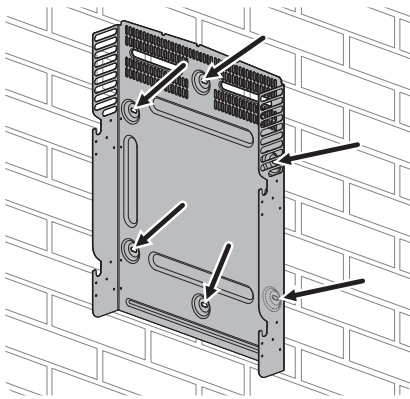


Figure 2.10 Montage du support mural

## 2.3 Montage de l'onduleur

### **⚠** ATTENTION

Consultez les réglementations locales applicables en matière de sécurité au travail lors de l'utilisation de l'onduleur.

#### Procédure :

1. Fixez l'onduleur à l'aide de boulons en U M12 et des écrous correspondants (non inclus dans le contenu de livraison).
2. Soulevez l'onduleur.

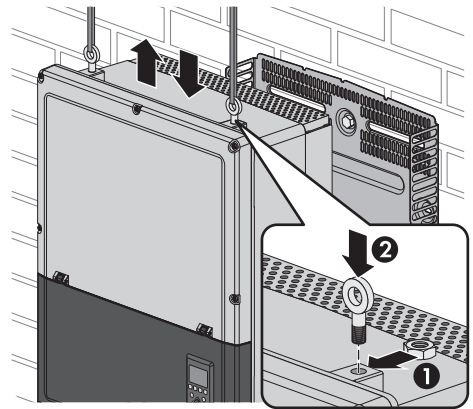


Figure 2.11 Fixation des boulons en U et levage de l'onduleur

3. Repérez les fentes sur le côté du support mural.
4. Sur l'onduleur, insérez les vis latérales dans les fentes du support mural. Poussez l'onduleur de sorte que les vis latérales glissent dans les deux fentes inférieures puis dans les deux fentes supérieures.

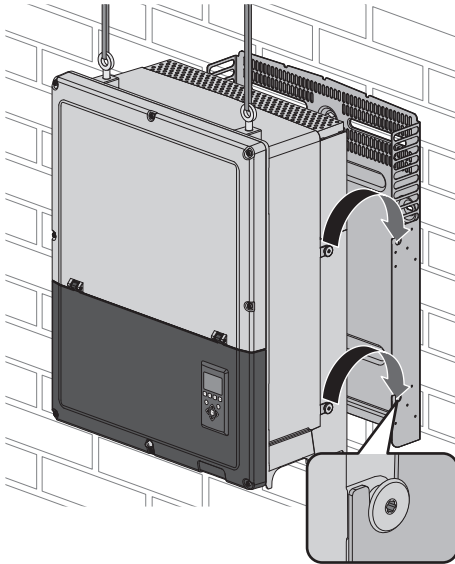


Figure 2.12 Accrochage de l'onduleur dans le support mural

5. Vérifiez que les quatre vis latérales sont correctement insérées dans les fentes du support mural.
6. Lâchez l'onduleur.

## 2.4 Démontage de l'onduleur

### Procédure :

1. Le démontage est effectué dans l'ordre inverse du montage.
2. Soulevez l'onduleur pour le faire sortir des fentes du support mural.
3. Levez l'onduleur pour le déposer du support mural.

## 2.5 Accès à la zone d'installation

### **⚠ DANGER**

#### **Danger de mort par choc électrique dû à des câbles DC conducteurs**

Les câbles DC raccordés à la batterie peuvent être sous tension. Le contact avec les conducteurs DC ou composants conducteurs provoque des chocs électriques susceptibles d'entraîner la mort.

- Ne touchez pas aux extrémités des câbles dénudés.
- Ne touchez pas les composants conducteurs.
- Le montage, l'installation et la mise en service de l'onduleur et de la batterie ne doivent être effectués que par du personnel qualifié.
- Respectez toutes les consignes de sécurité du fabricant des batteries.
- Avant de commencer tout travail sur l'onduleur et la batterie, mettez toujours l'onduleur et la batterie hors tension.
- Attendez cinq minutes avant d'intervenir sur l'onduleur.
- Si une erreur survient, faites-la corriger exclusivement par du personnel qualifié.

### **⚠ DANGER**

#### **Déconnexion de l'onduleur**

Avant d'intervenir sur l'onduleur, coupez l'alimentation AC au niveau de l'interrupteur d'alimentation et l'alimentation DC en utilisant l'interrupteur-sectionneur DC intégré. Veillez à empêcher toute reconnexion accidentelle de l'onduleur. Utilisez un détecteur de tension afin de vérifier que l'appareil est déconnecté et hors tension. Après la déconnexion du réseau électrique et de la batterie, attendez au moins cinq minutes avant de continuer.

### **⚠ ATTENTION**

Respectez les règles de sécurité concernant les décharges électrostatiques. Déchargez toute la charge électrostatique en touchant le boîtier mis à la terre avant de manipuler des composants électroniques.

**Procédure :**

1. Pour ouvrir le couvercle, desserrez les trois vis avant inférieures avec un tournevis TX 30. Elles sont imperdables et ne peuvent pas tomber.
2. Soulevez le couvercle à 180°. Le couvercle est maintenu dans la position ouverte par un aimant.

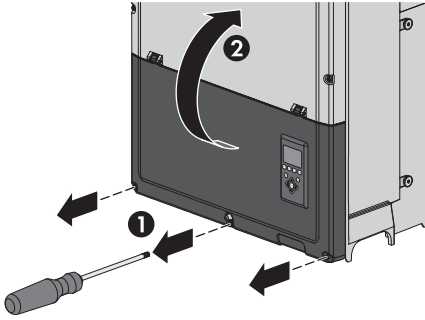


Figure 2.13 Desserrez les vis avant et soulevez le couvercle

3. Pour fermer le couvercle, baissez-le et serrez les trois vis avant.

**2.6 Raccordement au réseau AC****⚠ DANGER**

Ces consignes concernant le raccordement au réseau AC sont destinées uniquement à du personnel qualifié. Pour réduire le risque de choc électrique, ne réalisez aucune autre opération d'entretien que celles spécifiées dans ces instructions, sauf en cas de qualification adéquate.

**⚠ ATTENTION**

Pour de plus amples informations sur les fusibles et le dispositif à courant différentiel résiduel (DDR), voir le Chapitre 5, page 149. Le fusible AC ne doit pas dépasser la capacité de charge de courant des conducteurs utilisés.

**Détection IMI**

L'onduleur est équipé d'un contrôleur d'isolement intégré (IMI) et d'une unité de surveillance du courant de défaut (RCMU).

L'onduleur réagit en cas de courant de défaut à la terre continu ou de variation soudaine du courant de défaut à la terre. Cette fonctionnalité est activée en fonctionnement normal.

**Détection de la résistance d'isolement**

L'onduleur est muni d'un dispositif de détection de résistance d'isolement. Le détecteur de résistance d'isolement effectue une mesure de la résistance entre la batterie connectée et la terre avant que l'onduleur ne se connecte au réseau. Si la résistance est inférieure à la valeur de consigne définie d'après le code réseau, l'onduleur attend et remesure la résistance après une courte durée. Si la résistance est supérieure à la valeur de consigne définie d'après le code réseau, l'onduleur effectue un autotest et se connecte au réseau.

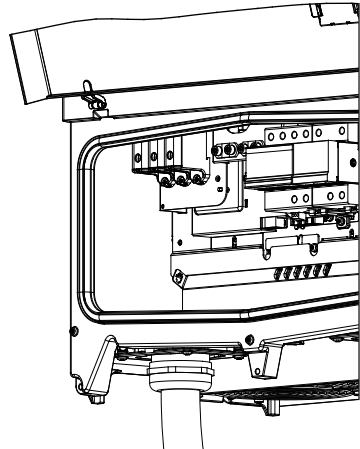


Figure 2.14 Zone d'installation

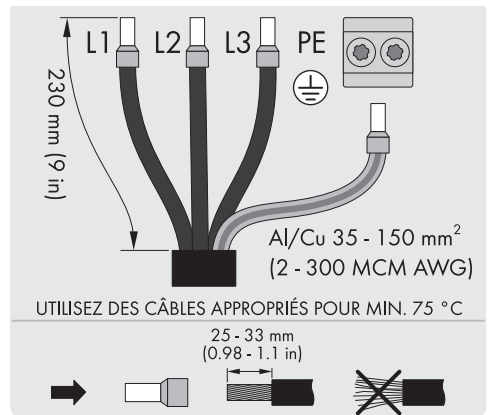


Figure 2.15 : Dénudage du câble AC

### REMARQUE

Pour le raccordement AC, les câbles multibrins, à conducteurs fins ou extrafins peuvent être utilisés (voir figure 2.16). Les câbles doivent pouvoir supporter une température minimum de 75 °C.

Pour les câbles à conducteurs fins ou extrafins, utilisez des embouts de câblage pour le raccordement.

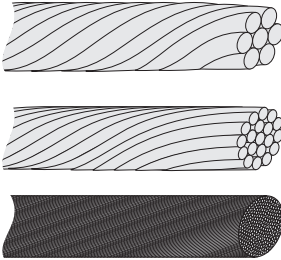


Figure 2.16 Câbles aux conducteurs différents (du haut vers le bas) : multibrin, à conducteurs fins et à conducteurs extrafins

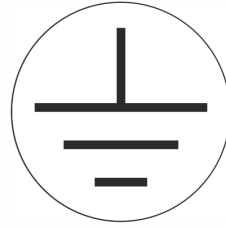


Figure 2.17 : Symbole du conducteur de protection

### AVERTISSEMENT

#### RISQUE DE COURANT DE FUITE

L'absence de mise à la terre adéquate de l'onduleur peut entraîner des blessures graves, voire mortelles.

- Confiez la mise à la terre adéquate de l'équipement à un installateur électricien qualifié.

L'onduleur doit être connecté uniquement à un réseau électrique public triphasé.

Dénudez les 4 conducteurs du câble AC. Le conducteur de protection (PE) doit être plus long que le conducteur de réseau.

1. Vérifiez que la tension nominale de l'onduleur est adaptée à la tension du réseau.
2. Vérifiez que le disjoncteur principal est ouvert et prenez des précautions pour éviter toute reconnexion.
3. Ouvrez le couvercle avant.
4. Insérez le câble dans le presse-étoupe AC jusqu'aux plaques à bornes.
5. Connectez les trois conducteurs de réseau (L1, L2, L3) et le conducteur de protection à la plaque à bornes avec les repères correspondants. Le conducteur de protection est signalé par le symbole représenté sur la figure 2.17.
6. Facultatif : effectuez un raccordement de mise à la terre supplémentaire au niveau des points de mise à la terre secondaires à l'aide d'un boulon de mise à la terre externe fourni avec l'onduleur. Voir figure 5.2.
7. Appliquez le couple de serrage prescrit sur tous les conducteurs. Voir le Chapitre 5.4, page 152.

## 2.7 Insertion de câbles

Les supports de montage des presse-étoupes sont déjà préinstallés.

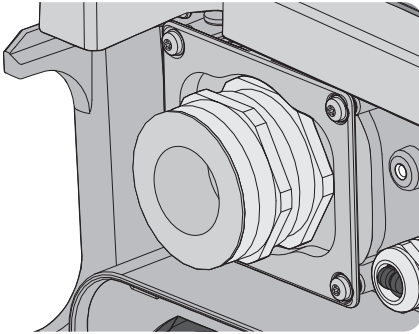


Figure 2.18 : Presse-étoupe AC

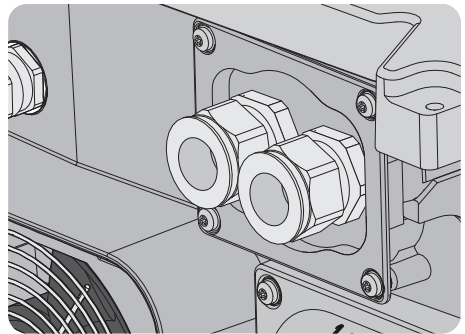


Figure 2.19 Presse-étoupe DC

Borne	Plage <sup>1)</sup>	Matériau du conducteur	Diamètre de la gaine du câble avec presse-étoupe fourni
AC + PE	35 à 150 mm <sup>2</sup>	Al/Cu	46 à 53 mm
DC	35 à 150 mm <sup>2</sup>	Al/Cu	18 à 25 mm

Tableau 2.1 Sections de conducteur admissibles

<sup>1)</sup> Respectez toujours la capacité de charge du courant des câbles utilisés.

## 2.8 Raccordements Ethernet

Pour un usage extérieur, veillez à utiliser le type de câble adéquat (voir chapitre 5.6 « Spécifications de l'interface de communication », page 153). Si le câble est très rigide, il convient d'utiliser une borne intermédiaire pour passer d'un câble rigide à un câble plus souple avant l'entrée dans l'onduleur. Pour certains câbles, on pourra se contenter de dénuder la section de câble à gaine dure qui passe à l'intérieur du boîtier d'onduleur. Cette précaution est nécessaire pour protéger les connecteurs Ethernet RJ45 montés sur carte imprimée contre des contraintes excessives, qui pourraient poser des problèmes de connexion ou causer des dommages.

### Procédure :

1. N'enlevez pas le connecteur RJ45 sur le câble Ethernet.
2. Guidez les câbles à travers la base de l'onduleur via des presse-étoupes. Voir figure 2.20.

3. Découpez une tranche dans la bague en caoutchouc. Placez le manchon dans le raccord à vis pour garantir une bonne étanchéité.
4. Insérez-la dans le connecteur Ethernet.

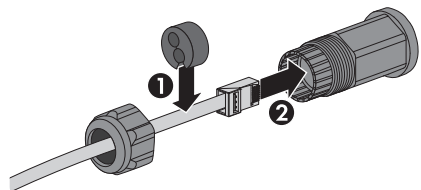


Figure 2.20 Chemin des câbles dans le presse-étoupe

## 2.9 Raccordement DC

### ⚠ AVERTISSEMENT

#### Danger de mort par incendie dû à un court-circuit

L'onduleur ne peut isoler un court-circuit de la batterie. Les courants de court-circuit peuvent provoquer un incendie.

- Installez un fusible interrupteur-sectionneur et un coupe-circuit à fusible de classe UL Class J capable de couper en toute sécurité le courant de court-circuit en cas de dysfonctionnement entre l'onduleur et la batterie.

### ⚠ ATTENTION

L'onduleur est protégé contre les inversions de polarité de courte durée. Si une inversion de polarité n'est pas corrigée, cela entraîne un dommage de l'onduleur irréparable et l'annulation de la garantie.

- Assurez-vous que les câbles sont correctement raccordés au niveau de l'onduleur afin que ce dernier puisse injecter la tension d'entrée DC.
- Raccordez uniquement des batteries avec vérification de la polarité à l'onduleur.

### ⚠ ATTENTION

La batterie est flottante, les deux conducteurs (+) et (-) étant connectés aux bornes DC des onduleurs. Aucun des deux conducteurs n'est relié à la terre.

### ⚠ ATTENTION

Si le interrupteur-sectionneur DC est mis en marche lorsque la batterie est activée, cela entraîne un dommage de l'onduleur irréparable et l'annulation de la garantie.

- Avant de mettre en marche l'interrupteur-sectionneur DC, assurez-vous que la batterie est coupée.

Un interrupteur-sectionneur DC intégré à l'onduleur est nécessaire pour une déconnexion sûre de la puissance DC.

### ⚠ AVERTISSEMENT

NE reliez PAS le raccordement DC à la terre.

### ⚠ AVERTISSEMENT

#### Risque de défaut à la terre côté DC en cours de fonctionnement

De par la topologie sans transformateur du produit, l'apparition de défauts à la terre côté DC durant le fonctionnement peut entraîner des dommages irréparables. L'endommagement du produit dû à une installation DC erronée ou endommagée n'est pas couvert par la garantie. Le produit est doté d'un dispositif de protection, qui contrôle exclusivement durant l'opération de démarrage la présence d'un défaut à la terre. Le produit n'est pas protégé durant le fonctionnement.

- Veillez à ce que l'installation DC soit réalisée correctement et qu'aucun défaut à la terre ne survienne durant le fonctionnement.

### ⚠ AVERTISSEMENT

#### Ne pas actionner l'interrupteur-sectionneur en cas de défaut à la terre

Dans de rares cas, les mélanges gazeux inflammables peuvent être générés dans le produit en cas de dysfonctionnement. Les opérations de commutation risquent de provoquer un incendie ou une explosion dans ce cas. Il peut en résulter la mort ou des blessures pouvant engager le pronostic vital par incendie ou projection d'objets.

- En cas de dysfonctionnement, exécutez uniquement les mesures correctives prescrites par SMA Solar Technology AG (pour les mesures correctives voir Chapitre 4.1, page 141). Si aucune mesure corrective n'est prédéterminée, n'exécutez pas d'autres actions sur le produit. Contactez le service technique.
- Assurez-vous que les personnes non autorisées ne peuvent pas accéder au produit.
- Coupez le disjoncteur AC et sécurisez-le contre tout réenclenchement.
- Déconnectez la batterie du produit via un dispositif de sectionnement externe. N'actionnez pas l'interrupteur-sectionneur DC du produit.



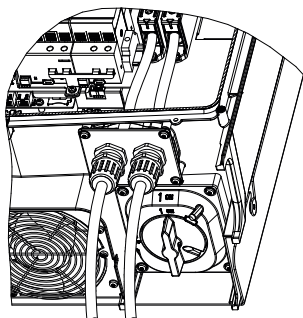


Figure 2.22 : Zone de raccordement DC

### **i** REMARQUE

Des câbles dotés de conducteurs multibrins, à fils fins ou extrafins peuvent être utilisés pour le raccordement DC (voir figure 2.23). Les câbles doivent pouvoir supporter une température minimum de 75 °C.

Pour les câbles à conducteurs fins ou extrafins, utilisez des embouts de câblage pour le raccordement.

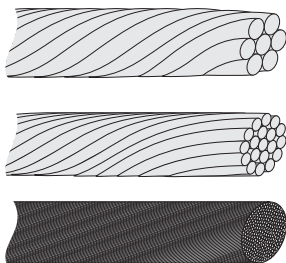


Figure 2.23 : Câbles aux conducteurs différents (du haut vers le bas) : monobrin, multibrins, à fils fins et à fils extrafins

1. Sur l'onduleur, mettez l'interrupteur-sectionneur DC en position d'arrêt.
2. Raccordement du câble DC aux onduleurs. Ce faisant, veillez à respecter la polarité appropriée.
3. Appliquez le couple de serrage prescrit sur tous les conducteurs (voir le Chapitre 5.4, page 152).

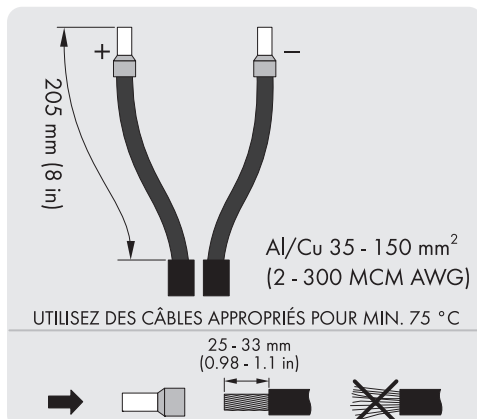


Figure 2.27 : Autocollant DC

## 2.10 Fermeture

1. Fermez le couvercle de la zone de raccordement de l'onduleur. Serrez les 3 vis avant (voir le Chapitre 5.4, page 152).
2. Activez l'alimentation AC.

## 3 Configuration initiale et démarrage

### 3.1 Interface utilisateur

L'interface utilisateur comprend :

- Affichage local pour toutes les versions d'onduleur. L'affichage local donne accès aux informations d'état de l'onduleur. Il est impossible de configurer ou de paramétrer l'onduleur via l'écran. Le symbole # à l'écran explique les modes de fonctionnement.
- Outil de mise en service et d'entretien (LCS-Tool). LCS-Tool permet de configurer un ou plusieurs onduleurs.

#### 3.1.1 Modes de fonctionnement

L'onduleur dispose de cinq modes de fonctionnement, indiqués par les DEL.

État	DEL	DEL
Off grid (déconnecté du réseau)	Vert	- - - - -
	Rouge	- - - - -

État	DEL	DEL
Connecting (connexion au réseau électrique public)	Vert	■ ■ ■ ■ ■ ■ ■ ■
	Rouge	- - - - -
On grid (connecté au réseau)	Vert	■ ■ ■ ■ ■ ■ ■ ■
	Rouge	- - - - -
Internal inverter event (événement interne de l'onduleur)	Vert	■ ■ ■ ■ ■ ■ ■ ■
	Rouge	- - - - -
Fail safe (blocage du fonctionnement)	Vert	- - - - -
	Rouge	■ ■ ■ ■ ■ ■ ■ ■

Tableau 3.1 Modes de fonctionnement

**Off grid** (LED éteintes)

#0-51

L'onduleur se déconnecte du réseau et s'arrête dans certaines conditions de fonctionnement. Les interfaces utilisateur et de communication restent alimentées pour assurer la communication.

**Connecting** (la DEL verte clignote)

#52-53

L'onduleur démarre lorsque la tension d'entrée DC atteint la tension de démarrage DC. L'onduleur effectue une série d'autotests internes, dont la mesure de la résistance entre le côté DC et la terre. En même temps, il surveille les paramètres du réseau. Lorsque les paramètres du réseau sont dans les spécifications pendant la durée requise (selon le code réseau et les normes et directives locales en vigueur), l'onduleur commence à alimenter le réseau.

**On grid** (DEL verte allumée)

#60

L'onduleur est raccordé au réseau électrique public de courant alternatif et l'alimente. L'onduleur se déconnecte lorsque :

- L'onduleur détecte des conditions de réseau anormales (en fonction du code réseau).
- Un événement interne se produit.
- Lié au fonctionnement.

**Internal inverter event** (la DEL verte clignote)

#54

L'onduleur attend qu'une condition interne revienne dans la plage autorisée (par exemple une température trop élevée) avant de se reconnecter.

**Fail safe** (la DEL rouge clignote)

#70

Si l'onduleur détecte une erreur dans ses circuits pendant l'autotest (en mode de fonctionnement « Connecting ») ou en cours de fonctionnement, il bascule en mode « Fail safe » et se déconnecte du réseau. L'onduleur reste en mode « Fail safe » pendant 10 minutes en l'absence de puissance DC ou jusqu'à ce que l'onduleur s'éteigne complètement (côté AC et DC).

## 3.2 Écran

**i** REMARQUE

L'activation de l'écran peut durer quelques instants après la mise sous tension.

L'écran intégré à l'avant de l'onduleur permet à l'utilisateur d'accéder à toutes les informations relatives à l'onduleur.



Illustration 3.1 Écran avec touches de fonction et de pilotage

Touche	Fonction
F1	Ajuster le niveau de contraste de l'écran. Utilisez les touches fléchées haut/bas tout en appuyant sur la touche F1.
F2	Non utilisée
F3	
F4	
Home	Retour à l'écran principal
OK	Non utilisée
Flèche vers le haut	Remonter d'un cran vers le haut
Flèche vers le bas	Descendre d'un cran vers le bas
Flèche vers la droite	Déplacer l'écran d'un cran vers la droite
Flèche vers la gauche	Déplacer l'écran l'écran d'un cran vers la gauche
Back	Retour à l'écran principal
On (DEL verte)	
Alarm (DEL rouge)	

Tableau 3.2 Écran avec touches de fonction et de pilotage

L'écran est divisé en trois sections différentes :

- Écran principal. Courant et production quotidienne. Cette section contient :
  - Valeur instantanée de la puissance de sortie (kW)
  - Énergie journalière (kWh)
  - Énergie totale (kWh)
  - Date du jour
  - Heure actuelle
  - Mode de fonctionnement (N°)
- Informations sur l'onduleur. Cette section contient :
  - Type d'onduleur
  - Nom de l'onduleur
  - Numéro de série de l'onduleur
  - Adresse IP
  - Numéro de série du SMA Inverter Manager
  - Version du logiciel de l'onduleur
- Valeurs réelles. Cette section contient :
  - Tension et courant DC
  - Tension entre phases
  - Courants de phase
  - Fréquence du réseau

### 3.2.1 Configuration initiale via LCS-Tool

L'onduleur et le SMA Inverter Manager doivent être mis en service à l'aide de l'outil d'entretien et de mise en service local (LCS-Tool). La mise en service est indispensable avant de brancher l'onduleur sur le réseau électrique public AC pour une injection réseau.

LCS-Tool permet de choisir des jeux de données régionales prédéfinis pour différents réseaux. Les jeux de données régionaux personnalisés peuvent être fournis par SMA et chargés dans le LCS-Tool (voir instructions d'installation du SMA Inverter Manager/LCS-Tool).

Après l'installation, vérifiez tous les câbles puis fermer l'onduleur.

Activez l'alimentation AC.

#### ⚠ AVERTISSEMENT

La sélection adéquate du code réseau est essentielle pour être en conformité avec les normes locales et nationales.

Il est possible de créer des fichiers de codes réseau personnalisés avec les valeurs réglées adaptées (voir le chapitre 3.2.4).

### 3.2.2 Activation de l'interrupteur-sectionneur DC

#### ⚠ ATTENTION

Si le interrupteur-sectionneur DC est mis en marche lorsque la batterie est activée, cela entraîne un dommage de l'onduleur irréparable et l'annulation de la garantie.

- Avant de mettre en marche l'interrupteur-sectionneur DC, assurez-vous que la batterie est coupée.

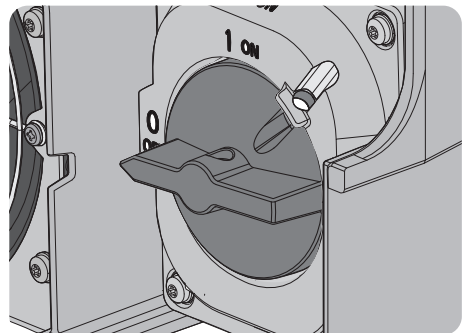


Figure 3.2 Interrupteur-sectionneur DC

Activez l'interrupteur-sectionneur DC de l'onduleur.

### 3.2.3 Mise en service

L'onduleur démarre automatiquement. La batterie est activée via le SMA Inverter Manager. La mise en service prend quelques minutes. Au cours de cette période, l'onduleur procède à un autotest.

#### REMARQUE

L'onduleur est protégé contre les inversions de polarité de courte durée. L'onduleur ne produit de la puissance injectée qu'une fois l'inversion de polarité corrigée.

#### REMARQUE

Respectez les consignes de votre fournisseur d'électricité.

#### ATTENTION

Une inversion de polarité prolongée entraîne un dommage de l'onduleur irréparable et, de ce fait, l'annulation de la garantie.

- Assurez-vous que les câbles sont correctement raccordés au niveau de l'onduleur.

### 3.2.4 Fichier de codes réseau

#### REMARQUE

Si le code réseau souhaité n'est pas disponible ou si LCS-Tool émet un avertissement au sujet de versions logicielles incompatibles, le code réseau et la bibliothèque de logiciels doivent être mis à jour sur LCS-Tool.

Il est possible de créer des fichiers de codes réseau personnalisés avec les valeurs réglées adaptées. Pour cela, prenez contact avec SMA Solar Technology AG.

### 3.2.5 Configuration du repli automatique

Si la communication est interrompue entre l'onduleur et le SMA Inverter Manager, l'onduleur passe dans un état de fonctionnement préalablement défini (repli automatique). En cas d'interruption de la communication, l'état de fonctionnement souhaité s'active et se configure à l'aide du fichier de codes réseau personnalisé ou via LCS-Tool. Pour la configuration d'un repli automatique supérieur de l'installation entre le SMA Inverter Manager et une unité de régulation supérieure (par ex. SCADA-System ou Power Plant Controller), voir les instructions d'installation SMA Inverter Manager / LCS-Tool.

## 4 Service

### 4.1 Recherche d'erreurs et dépannage

Les informations sont organisées en tableaux indiquant les messages apparaissant dans LCS-Tool, appelés événements. Les tableaux contiennent la description des événements et les explications des actions correctives à entreprendre.

Une liste avec des événements concernant la batterie peut être consultée auprès du fabricant de la batterie.

Type d'événement	Indique si l'événement est lié à la catégorie « Grid », « DC », « Internal » ou « Fail Safe ».
ID	ID propre à l'événement.
Écran	Texte affiché à l'écran.
Description	Description de l'événement
Mesure	Description de l'action corrective à entreprendre avant de contacter qui que ce soit.
GRD	Si l'action décrite ne permet pas d'identifier le dysfonctionnement, adressez-vous au gestionnaire du réseau de distribution.
Service en ligne de SMA	Si l'action décrite ne permet pas d'identifier le dysfonctionnement, contactez le service technique (voir chapitre 6 « Contact », page 155).
DC	Si l'action décrite ne permet pas d'identifier le dysfonctionnement, adressez-vous au fabricant de la batterie.

#### Événements relatifs au réseau

ID	Message d'état	Description	Mesure	GRD	Service en ligne de SMA	DC
1-6		Tension du réseau trop basse.	Vérifiez la tension et l'installation AC. Si la tension est égale à zéro, contrôlez les fusibles.	x	-	-
7-9		La tension moyenne du réseau trop haute pendant 10 minutes.	Vérifiez que l'installation a été effectuée conformément aux instructions d'installation. Si tel est le cas, demandez un nouveau fichier de code réseau avec une limite de tension ou une puissance réactive de niveau supérieur pour la suppression de tension.	x	-	-
10-15		Tension du réseau trop élevée.	Vérifiez la tension et l'installation AC.	x	-	-
16-18		L'onduleur a détecté un pic de tension sur le réseau.	Vérifiez la tension et l'installation AC.	x	-	-

ID	Message d'état	Description	Mesure	GRD	Service en Ligne de SMA	DC
19, 22		Fréquence de réseau trop basse ou trop haute.	Vérifiez la fréquence du réseau.	x	-	-
28-30		Modification de la fréquence du réseau dépassée.	Vérifiez la différence de fréquence réseau.	x	-	-
31-33		Part de courant continu dans le réseau AC trop élevée.	Si cela se reproduit quotidiennement, réalisez une analyse du réseau sur site.	-	x	-
34-37		L'unité de surveillance du courant de défaut (RCMU) a mesuré une surintensité.	Coupez l'alimentation AC et DC, puis attendez que l'écran s'éteigne. Remettez l'alimentation AC et DC, puis observez si l'événement se produit de nouveau. Inspection visuelle de tous les câbles et panneaux DC.	-	x	-
40	Réseau AC non conforme	Le réseau AC est hors plage pendant plus de 10 minutes (fréquence et/ou tension).	Vérifiez la fréquence du réseau, la tension du réseau, la version du logiciel et le code réseau.	x	-	-
41-43		Alimentation sans panne (FRT). L'onduleur a détecté que la tension du réseau était inférieure ou supérieure à un certain niveau.	Si cet événement est rapporté plusieurs fois par jour, réalisez une analyse du réseau sur site.			
48, 51		Fréquence de réseau trop basse ou trop haute.	Vérifiez la tension du réseau et l'installation AC.	x	-	-
54-56		Part de courant continu dans le réseau AC trop élevé (niveau 2).	Si cela se reproduit quotidiennement, réalisez une analyse du réseau sur site.	x	-	-
61		Panne du réseau, phase ouverte détectée.	Si l'événement se produit de nouveau plusieurs fois par jour, contactez l'exploitant de réseau.	x	-	-
62		Panne du réseau.	Si l'événement se produit de nouveau plusieurs fois par jour, contactez l'exploitant de réseau.	x	-	-
64-81		Tension de réseau sur phase trop basse.	Vérifiez la tension et l'installation AC. Si la tension est égale à zéro, contrôlez les fusibles.	x	-	-

Tableau 4.1 : Événements relatifs au réseau

## Événements relatifs à la batterie

ID	Message d'état	Description	Mesure	GRD	Service en Ligne de SMA	DC
115, 260	ISO DC trop basse	La résistance entre les raccordements DC et la terre est trop faible pour la mise en service de l'onduleur. L'onduleur procède automatiquement à une nouvelle mesure après 10 minutes.	Procédez à une inspection visuelle de tous les câbles DC et la batterie pour une installation conforme aux instructions d'installation. L'événement pourrait indiquer qu'il n'y a pas de raccordement de mise à la terre. <b>Avertissement :</b> L'apparition répétée de ce message plusieurs jours de suite indique un problème général dans l'isolation DC. Dans ce cas, un contrôle complet d'isolation est nécessaire, car un soudain défaut à la terre ne peut être exclu en cours de fonctionnement. <b>Avertissement :</b> Un défaut à la terre peut complètement détruire l'appareil en cours de fonctionnement.	-	x	x
258	Tension DC trop élevée/ attendre	La tension DC est trop élevée.	Vérifiez que l'installation de la batterie et la configuration correspondent aux recommandations des manuels.	-	x	x
278		Tension DC trop élevée (avertissement).	Vérifiez que l'installation de la batterie et la configuration correspondent aux recommandations des manuels.	-	x	x
400	Charge current exceeded high limit	Le courant de charge est trop élevé.	Vérifiez le système de gestion de la batterie	-	-	x
401	Discharge current exceeded high limit	Courant de décharge es trop élevé.	Vérifiez le système de gestion de la batterie	-	-	x
402	DC voltage exceeded high limit	La tension DC est trop élevée.	Vérifiez le système de gestion de la batterie	-	-	x

ID	Message d'état	Description	Mesure	GRD	Service en Ligne de SMA	DC
403	DC voltage exceeded low limit	La tension DC est trop faible.	Vérifiez le système de gestion de la batterie	-	-	x
491	Inverter lost communication from battery	Erreur de communication	Contrôlez le câblage.	-	x	x
492	not defined	Le format des paramètres envoyé de la batterie n'est pas compatible.	Contactez le fabricant de la batterie.	-	-	x

Tableau 4.2 Événements relatifs à la batterie

### Événements internes

ID	Message d'état	Description	Mesure	GRD	Service en Ligne de SMA	DC
2000		Le groupe de communication démarre.	-	-	-	-
2010, 2011		La mise à jour du logiciel de l'unité centrale a été lancée/est terminée.	-	-	-	-
2012 - 2018		La mise à jour du logiciel a échoué.	Mettez à jour le logiciel à nouveau. En cas d'erreur lors de la mise à jour, contactez le service technique.	-	x	-
2030		Le transfert du code réseau à l'unité centrale a échoué.	Si l'événement survient fréquemment, contactez le service technique.	-	x	-
2050		Connexion Ethernet active	Aucune mesure nécessaire. Cette erreur sert, par exemple, à identifier les mauvais câbles Ethernet.	-	-	-
2051		Connexion Ethernet non active	Aucune mesure nécessaire. Cette erreur sert, par exemple, à identifier les mauvais câbles Ethernet.	-	-	-
2052, 2053		La transmission du code réseau du SMA Inverter Manager vers l'onduleur a commencé / est terminée.	-	-	-	-



ID	Message d'état	Description	Mesure	GRD	Service en Ligne de SMA	DC
2054		La transmission du code réseau du SMA Inverter Manager vers l'onduleur a échoué.	Si l'événement survient fréquemment, contactez le service technique.	-	-	-
2055	Repli automatique activé	L'onduleur est passé en mode repli automatique après que la communication avec le SMA Inverter Manager s'est interrompue.		-	-	-
2056	Repli automatique terminé	L'onduleur est repassé en mode de fonctionnement normal après avoir basculé en mode repli automatique en raison d'un problème de communication avec le SMA Inverter Manager.		-	-	-

Tableau 4.3 Événements internes

### Événements internes

ID	Message d'état	Description	Mesure	GRD	Service en Ligne de SMA	DC
201-208		La température interne de l'onduleur est trop élevée.	Assurez-vous que l'onduleur n'est pas couvert (poussière ou objets) et que le conduit d'aération n'est pas bloqué.	-	x	-
209, 210		Tension sur le circuit intermédiaire à courant continu trop élevée.	Si l'événement persiste, réinitialisez l'onduleur en déconnectant l'alimentation AC et DC. Si l'événement se reproduit, vérifiez la tension DC maximale à l'écran pour voir si elle est supérieure aux limites.	-	x	-
211	Vitesse ventilateur basse	La vitesse du ventilateur est trop faible.	Le ventilateur de l'onduleur est-il bloqué ?	-	x	-
213-215		Erreur interne. La tension mesurée avant et après le relais diffère trop.	Contactez le service technique.	-	x	-
216-218		Courant mesuré sur le côté AC trop élevé.	Contactez le service technique.	-	x	-
219-221		Erreur interne. La tension mesurée avant et après le relais diffère trop.	Contactez le service technique.	-	x	-

ID	Message d'état	Description	Mesure	GRD	Service en Ligne de SMA	DC
225- 240, 275		Panne de mémoire/EEPROM.	Redémarrez l'onduleur. Si l'événement persiste, contactez le service technique.	-	x	-
241, 242, 245, 249		Erreur de communication interne.	Redémarrez l'onduleur. Si l'événement persiste, contactez le service technique.	-	x	-
248		Erreur interne de l'unité centrale.	Redémarrez l'onduleur. Si l'événement persiste, contactez le service technique.	-	x	-
252- 254		Courant mesuré sur le côté AC trop élevé.	Si l'événement persiste, contactez le service technique.	-	x	-
243, 263		Erreur interne.	Redémarrez l'onduleur. Si l'événement persiste, contactez le service technique.	-	x	-
279		Erreur de capteur de température	Si l'événement persiste, contactez le service technique.	-	x	-
280		Temporisation de 24 heures pour l'autotest. L'autotest doit être exécuté au moins une fois par 24 heures.	Aucune.	-	-	-
281		Trop d'événements RCMU pendant les dernières 24 heures. Seules 4 tentatives de reconnexion automatique après l'événement 34 sont autorisées sur une période de 24 heures. L'onduleur essaie de se reconnecter automatiquement au bout d'un certain temps.	Attendez jusqu'à 24 heures. Si l'événement 34 se produit également, procédez à l'action de l'événement 34.	-	x	-
282		Réglages du code réseau invalides.	Redémarrez l'onduleur. Si l'événement persiste, demandez au Service de générer un nouveau fichier de code réseau ou resélectionnez un code réseau standard.	-	x	-
283		Erreur de passerelle.	Redémarrez l'onduleur. Si l'événement persiste, contactez le service technique.	-	x	-
323		Erreur de ventilateur interne. La puissance de sortie maximale a été réduite.	Si l'événement persiste, contactez le service technique.	-	x	-

Tableau 4.4 Événements internes

## Événements provoqués par l'autotest

ID	Description	Mesure	GRD	Service en Ligne de SMA	DC
100	Le courant d'entrée DC est négatif. Erreur de capteur.	Vérifiez la polarité de la batterie. Si elle est correcte, contactez le service technique.	-	x	-
264	Échec de la mesure du test de circuit.	Si l'événement persiste, contactez le service technique.	-	x	-
266	Échec de la mesure du test de circuit.	<b>Avertissement</b> : N'actionnez pas l'interrupteur-sectionneur de l'onduleur. La coupure de la tension continue reste possible au moyen d'un interrupteur-sectionneur DC dans la Combiner Box. N'exécutez pas d'autres actions ou opérations de commutation sur l'onduleur. Contactez le service technique immédiatement.	-	x	x
272	Erreur de dispositif de protection contre les surtensions DC. L'onduleur continue de fonctionner sans protection contre les surtensions.	Remplacez le dispositif de protection contre les surtensions DC. Pour plus d'informations, consultez les instructions de remplacement du dispositif de protection contre les surtensions.	-	x	-
273	Erreur de dispositif de protection contre les surtensions réseau AC. L'onduleur continue de fonctionner sans dispositif de protection contre les surtensions.	Remplacez le dispositif de protection contre les surtensions réseau AC. Pour plus d'informations, consultez les instructions de remplacement du dispositif de protection contre les surtensions.	-	x	-
274	État du dispositif de protection contre les surtensions inconnu.	Redémarrez l'onduleur. Si l'événement persiste, contactez le service technique.	-	x	-
350-352	L'autotest de l'unité de surveillance du courant de défaut (RCMU) a échoué.	Contactez le service technique.	-	x	-
353	Le test de courant du capteur a échoué.	Contactez le service technique.	-	x	-
356-361	Le test des transistors et relais a échoué, ou défaillance du relais d'onduleur (contact supposé soudé).	<b>Avertissement</b> : N'actionnez pas l'interrupteur-sectionneur de l'onduleur. La coupure de la tension continue reste possible au moyen d'un interrupteur-sectionneur DC dans la Combiner Box. N'exécutez pas d'autres actions ou opérations de commutation sur l'onduleur. Contactez le service technique immédiatement.	-	x	-
366	L'autotest de l'unité de surveillance du courant de défaut (RCMU) a échoué.	Contactez le service technique.	-	x	-

Tableau 4.5 Événements provoqués par l'autotest

## 4.2 Entretien

Assurez-vous que le dissipateur thermique à l'arrière de l'onduleur n'est pas couvert.

Pour un fonctionnement correct et une longue durée de vie, assurez-vous que la circulation de l'air est suffisante :

- autour du dissipateur thermique en haut et sur le côté de l'onduleur où l'air s'échappe, et
- au niveau du ventilateur, à la base de l'onduleur.

Pour ôter les obstructions, nettoyez à l'aide d'air comprimé, d'un chiffon doux ou d'une brosse.

### AVERTISSEMENT

La température du dissipateur de chaleur peut dépasser 70 °C.

## 5 Données techniques

### 5.1 Spécifications

Paramètres	STPS60-10
<b>AC</b>	
Puissance assignée à la tension nominale	75000 W
Puissance apparente AC maximale	75 000 VA
Puissance réactive	75000 var
Tension nominale AC	3 / PE; 400 V ± 10 %
Plage de tension AC	360 V à 530 V
Courant de sortie max.	109 A
Taux de distorsion harmonique AC (THD à puissance de sortie nominale)	≤ 1%
Facteur de puissance pour la puissance assignée	1
Facteur de puissance à la puissance assignée / facteur de déphasage réglable	1 / 0 inductif à 0 capacitif
Consommation d'électricité en veille (pour la communication uniquement)	< 3 W
Fréquence du réseau AC / Plage	50 Hz/44 Hz à 55 Hz 60 Hz/54 Hz à 65 Hz
Phases d'injection / Phases de raccordement	3 / 3
<b>DC</b>	
Puissance de charge maximale	60000 W
Plage de tension DC	570 V à 1000 V
Courant d'entrée max. à 660 V	140 A
Catégories de surtensions	AC : catégorie de surtension III (OVC III), DC : catégorie de surtension II (OVC II)
Parafoudre DC intégrable/Parafoudre AC	Type II / Type II + III (combiné)
<b>Rendement</b>	
Rendement max.	98,8 %
<b>Boîtier</b>	
Dimensions (L x H x P)	740 × 570 × 306 mm
Poids	77 kg
Niveau de bruit acoustique	58 dB(A) (typique)

Tableau 5.1 : Spécifications

Paramètres	STPS60-10
<b>Classe de protection (selon CEI 62109-1)</b>	I
<b>Électrique</b>	
Sécurité électrique	<ul style="list-style-type: none"> <li>CEI 62109-1/CEI 62109-2 (classe I, mise à la terre - partie communication classe II, PELV)</li> </ul>
<b>Fonctionnelle</b>	
Sécurité fonctionnelle	<ul style="list-style-type: none"> <li>Surveillance de la tension et de la fréquence</li> <li>Surveillance de la part de courant continu dans le courant AC</li> <li>Surveillance de la résistance d'isolement</li> <li>Surveillance du courant résiduel</li> </ul>
Détection du réseau en site isolé (panne du réseau)	<ul style="list-style-type: none"> <li>Déplacement de fréquence actif</li> <li>Séparation</li> <li>Surveillance triphasée</li> <li>ROCOF/SFS</li> </ul>
Compatibilité RCD <sup>1)</sup>	Type B, 1000 mA

Tableau 5.2 Spécifications de sécurité

<sup>1)</sup> Selon les réglementations locales

## 5.2 Conformité

Normes internationales	STPS60-10
Rendement	Rendement maximal, standard : EN 50530
Directive basse tension	2014/35/EU
Directive CE concernant la compatibilité électromagnétique (CEM)	2014/30/EU
Sécurité	EN 62109-1:2010/EN 62109-2:2011
Sécurité fonctionnelle	EN 62109-2:2011
CEM, insensibilité aux brouillages	EN 61000-6-2:2005
CEM, émissions parasites	EN 55011:2016 groupe 1, classe A
Courants harmoniques autorisés	EN 61000-3-12
CE	oui
Caractéristiques de raccordement au réseau	CEI 61727
	EN 50160

## 5.3 Conditions d'installation

Paramètres	Caractéristiques
Plage de températures de fonctionnement	-25 °C à 60 °C*
Température de stockage	-30 °C à 60 °C
Température max. pour l'installation et la maintenance	45 °C
Valeur maximale autorisée pour l'humidité relative (sans condensation)	95 %
Degré d'encrassement	PD2
Classe environnementale CEI 62109-1	Extérieur, environnement humide (voir Chapitre 2, page 129 pour plus d'informations)
Classe environnementale selon CEI 60721-3-4	4K4H/4Z4/4B2/4S3/4M2/4C2
Système de refroidissement	Refroidissement forcé
Qualité de l'air (général)	ISA S71.04-1985 Niveau G3 (à 75 % d'humidité relative)
Qualité de l'air (zones côtières, industrielles lourdes et agricoles)	Mesure obligatoire et classement selon ISA S71.04-1985 : G3 (à 75 % d'humidité relative)
Vibrations	< 1G
Classe de protection et d'étanchéité du boîtier	IP65
Type de boîtier UL 50E	NEMA 3R
Altitude de fonctionnement max. au-dessus du NMM (niveau moyen de la mer)	2000 mètres au-dessus du niveau de la mer (probabilité de puissance réduite à une altitude supérieure à 1000 mètres).**
Installation	Évitez toute exposition continue à l'eau. Évitez la lumière directe du soleil. Prévoyez une circulation d'air adéquate. Montez sur une surface non inflammable. Installez sur une surface verticale. Évitez la présence de poussière et de gaz ammoniac.

\* Réduction de puissance possible au-delà de 45 °C (pour en savoir plus, voir information technique « Rendement et derating »)

\*\* L'installation à une altitude au-dessus de 2000 m est possible. Pour cela, contactez SMA Solar Technology AG.

Tableau 5.6 Conditions d'installation

## 5.4 Spécifications de couple

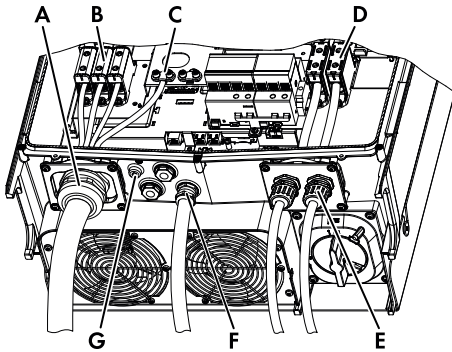


Figure 5.2 Présentation de l'onduleur avec mentions de couple

	Paramètres	Outil	Couple de serrage
A	Presse-étoupe M63	Clé de serrage 65/68 mm	6 Nm
	Écrou-raccord pour presse-étoupe M63	Clé de serrage 65/68 mm	3 Nm
B	Bornes au raccordement AC	HX 8	20 Nm (diamètre de la gaine de câble = 35 à 95 mm), 30 Nm (diamètre de la gaine de câble = 96 à 150 mm)
C	Conducteur de protection primaire (conducteur de protection secondaire immédiatement à droite)	TX 30	3,9 Nm
D	Bornes DC	HX 8	20 Nm (diamètre de la gaine de câble = 35 à 95 mm), 30 Nm (diamètre de la gaine de câble = 96 à 150 mm)
E	Presse-étoupe M32	Clé de serrage 42 mm	6 Nm
	Écrou-raccord pour presse-étoupe M32	Clé de serrage 42 mm	1,8 Nm
F	Presse-étoupe M25	Clé de serrage 33 mm	4 Nm
	Écrou-raccord pour presse-étoupe M25	Clé de serrage 33 mm	1,8 Nm
G	Mise à la terre d'équipements M6 (borne de liaison équipotentielle)	TX 20	3,9 Nm
	Vis avant (non illustrée)	TX 30	1,5 Nm

Tableau 5.7 : Spécifications de couple de serrage



## 5.5 Spécifications pour la protection du réseau

Paramètres	Caractéristiques
Courant maximal AC de l'onduleur, $I_{acmax}$	109 A
Type de coupe-circuit à fusible gR (IEC 60269-1) à utiliser	160 A
Disjoncteur miniature à utiliser type B ou C	160 A
Puissance de fusible maximale	160 A

Tableau 5.8 Spécifications pour la protection du réseau

### REMARQUE

Respectez les réglementations locales.

## 5.6 Spécifications de l'interface de communication

Interface	Paramètres	Détails du paramètre	Caractéristiques
Ethernet	Câble	Diamètre de la gaine du câble ( $\varnothing$ )	2 x 5 à 7 mm
		Type de câble	Paire torsadée blindée (STP Cat 5e ou SFTP Cat 5e) <sup>1)</sup>
		Impédance caractéristique du câble	100 $\Omega$ à 120 $\Omega$
	Connecteurs RJ45 : 2 unités RJ45 pour Ethernet	Épaisseur du fil	0,14 à 0,25 mm <sup>2</sup> (en fonction du modèle de fiche RJ45)
		Terminaison du blindage du câble	Via fiche RJ45 métallique
	Isolation d'interface galvanique		Oui (500 V effective)
	Protection du contact direct	Isolation double/renforcée	oui
	Protection contre les courts-circuits		oui
	Communication	Topologie du réseau	En étoile, en anneau et en série
	Câble	Longueur de câble max. entre les onduleurs	100 m
	Nombre max. d'onduleurs	Par SMA Inverter Manager	20

Tableau 5.9 : Spécifications de l'interface de communication

<sup>1)</sup> (voir chapitre 2.8 « Raccordements Ethernet », page 135)

## 5.7 Raccordements Ethernet

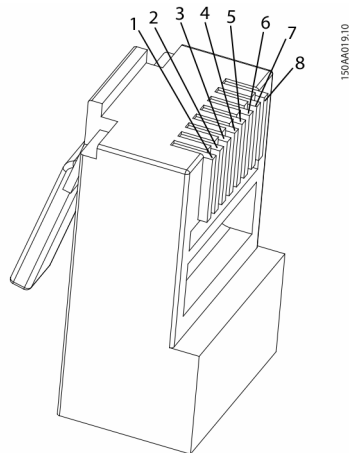


Figure 5.4 Détail de l'affectation des broches RJ45 pour Ethernet

Affectation des broches pour Ethernet	Couleur standard	
	Cat. 5 T-568A	Cat. 5 T-568B
1. RX+	Vert/blanc	Orange/blanc
2. RX	Vert	Orange
3. TX+	Orange/blanc	Vert/blanc
4.	Bleu	Bleu
5.	Bleu/blanc	Bleu/blanc
6. TX-	Orange6,	Vert
7.	Marron/blanc	Marron/blanc
8.	Marron	Marron

### 5.7.1 Topologie du réseau

L'onduleur a deux embases RJ45 Ethernet permettant le raccordement de plusieurs onduleurs et de la batterie dans une topologie linéaire (au lieu d'une topologie en étoile typique).

#### REMARQUE

La topologie en anneau (C sur la figure 5.5) n'est autorisée que si elle est réalisée avec un commutateur Ethernet prenant en charge la gestion d'arborescence.

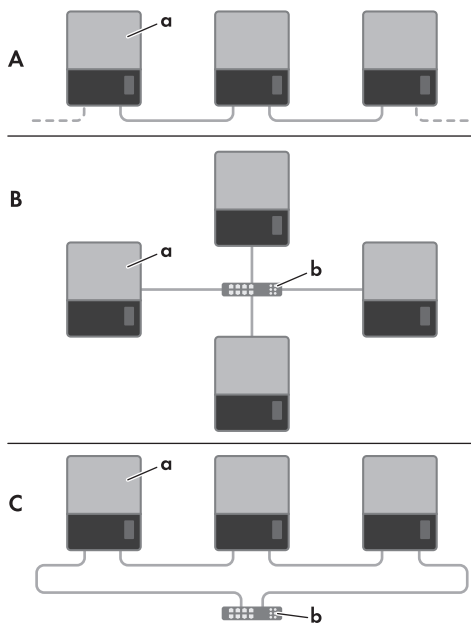


Figure 5.5 Topologie du réseau

A	Linéaire en cascade
B	Topologie en étoile
C	Topologie en anneau (uniquement si l'arborescence est utilisée)
a	Onduleurs
b	Commutateur réseau Ethernet

L'état des DEL proches du port Ethernet est expliqué dans le tableau 5.12. Il y a deux DEL par port.

État	DEL jaune	DEL verte
Éteinte	Débit de transfert de données de 10 Mbit/s	Aucune liaison
Marche	Débit de transfert de données de 100 Mbit	Liaison
Clignote	-	Activité

Tableau 5.12 : États des DEL

## 6 Contact

En cas de problèmes techniques concernant nos produits, prenez contact avec le Service en ligne de SMA. Nous avons besoin des données suivantes pour pouvoir assurer une assistance ciblée :

- Type d'onduleur
- Numéro de série de l'onduleur
- Version du micrologiciel de l'onduleur
- Le cas échéant, réglages spéciaux régionaux de l'onduleur
- Lieu et hauteur de montage de l'onduleur
- Message à l'écran
- Type de la batterie raccordée
- Version du micrologiciel de la batterie raccordée

## Disposizioni legali

Le informazioni contenute nella presente documentazione sono proprietà di SMA Solar Technology AG. La loro completa o parziale pubblicazione richiede l'autorizzazione scritta di SMA Solar Technology AG. La riproduzione per scopi interni all'azienda, destinata alla valutazione del prodotto o al suo corretto utilizzo, è consentita e non è soggetta ad approvazione.

### Garanzia di SMA

È possibile scaricare le condizioni di garanzia aggiornate dal sito Internet [www.SMA-Solar.com](http://www.SMA-Solar.com).

### Marchi

Tutti i marchi sono riconosciuti anche qualora non distintamente contrassegnati. L'assenza di contrassegno non significa che un prodotto o un marchio non siano registrati.

### SMA Solar Technology AG

Sonnenallee 1  
34266 Niestetal  
Germania

Tel. +49 561 9522-0  
Fax +49 561 9522-100  
[www.SMA.de](http://www.SMA.de)  
E-Mail: [info@SMA.de](mailto:info@SMA.de)

Copyright © 2019 SMA Solar Technology AG.  
Tutti i diritti riservati.

## Denominazioni nel documento



Denominazione completa	Denominazione nel presente documento
Sunny Tripower Storage 60	Inverter, prodotto

## IMPORTANTI AVVERTENZE DI SICUREZZA

### Livelli delle avvertenze di sicurezza

Simbolo	Spiegazione
 <b>PERICOLO</b>	Informazioni importanti ai fini della sicurezza la cui inosservanza provoca immediatamente la morte o lesioni gravi.
 <b>AVVERTENZA</b>	Informazioni importanti ai fini della sicurezza la cui inosservanza può provocare la morte o lesioni gravi.
 <b>ATTENZIONE</b>	Informazioni importanti ai fini della sicurezza la cui inosservanza può provocare lesioni leggere o medie.
<b>AVVISO</b>	Informazioni importanti ai fini della sicurezza la cui inosservanza può provocare danni materiali.

### Simboli nel documento

Simbolo	Spiegazione
 <b>TECNICO SPECIALIZZATO</b>	Nota indicante che il paragrafo seguente contiene operazioni che possono essere eseguite esclusivamente da tecnici specializzati.
	Informazioni importanti per un determinato obiettivo o argomento, non rilevanti tuttavia dal punto di vista della sicurezza
<input type="checkbox"/>	Condizioni preliminari necessarie per un determinato obiettivo
<input checked="" type="checkbox"/>	Risultato desiderato
<b>x</b>	Possibile problema

## Avvertenze di sicurezza

### ⚠ ATTENZIONE

Le presenti istruzioni contengono importanti indicazioni da rispettare durante il montaggio e la manutenzione dell'inverter.

### **i** Prima dell'installazione

Accertarsi che l'inverter e la confezione non siano danneggiati. In caso di dubbi rivolgersi al fornitore prima di proseguire con l'installazione.

### ⚠ AVVERTENZA

#### Installazione / Servizio

Per assicurare un livello di sicurezza ottimale, seguire i passi indicati nel presente documento. Tenere presente che l'inverter è sotto tensione da 2 lati diversi: l'ingresso CC e la rete CA.

### ⚠ PERICOLO

#### Disinserimento dell'inverter

Prima di iniziare a lavorare sull'inverter, disinserire la rete CA tramite l'interruttore di alimentazione e il sistema la rete CC mediante il sezionatore di carico. Assicurarsi che il dispositivo non possa essere ricollegato accidentalmente. Usare un voltmetro per assicurarsi che l'unità sia scollegata e senza tensione. Dopo aver effettuato lo scollegamento dalla rete di distribuzione e dalla batteria, attendere almeno 5 minuti prima di procedere.

### ⚠ PERICOLO

#### Folgorazione mortale causa cavi CC sotto tensione

I cavi CC collegati alla batteria possono essere sotto tensione. Il contatto con conduttori CC o componenti sotto tensione causa folgorazioni potenzialmente letali.

- Non toccare le estremità di cavi a vista.
- Non toccare nessun componente sotto tensione.
- Affidare il montaggio, l'installazione e la messa in servizio dell'inverter e della batteria esclusivamente a tecnici specializzati provvisti di apposita qualifica.
- Osservare tutte le avvertenze di sicurezza del produttore della batteria.
- Prima di eseguire qualsiasi intervento sull'inverter e sulla batteria, disinserire sempre la tensione.
- Attendere 5 minuti prima di effettuare lavori all'inverter.
- In caso di errore, incaricare esclusivamente un tecnico specializzato della sua risoluzione.

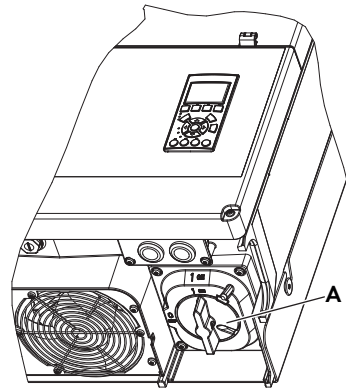


Figura 1: Sezionatore di carico CC

A      Sezionatore di carico CC

### **i** NOTA

Il sezionatore CC può essere fissato nella posizione "Off" con un lucchetto.

**i** **NOTA**

L'inverter non è previsto per l'utilizzo in locali abitativi e non può assicurare una protezione adeguata della ricezione radio contro interferenze elettromagnetiche. L'inverter secondo EN55011:2016 può essere utilizzato solo in luoghi in cui la distanza tra l'inverter e i dispositivi sensibili di comunicazione radio è maggiore di 30 m e in cui dispone di un proprio trasformatore di potenza.

**⚠** **ATTENZIONE****MANUTENZIONE E MODIFICHE**

Riparazioni e lavori di adeguamento sull'inverter possono essere effettuati solo dal personale autorizzato. Per assicurare la sicurezza del personale, usare solo parti di ricambio originali disponibili presso il fornitore.

**⚠** **AVVERTENZA****INSTALLATORE**

I circuiti di ingresso e uscita sono isolati rispetto all'involucro. La messa a terra dell'impianto compete all'installatore.

**⚠** **AVVERTENZA****PERICOLO DI FOLGORAZIONE**

Le presenti istruzioni sono destinate esclusivamente a personale tecnico qualificato. Per ridurre il rischio di folgorazione, non è consentito effettuare interventi di manutenzione non espressamente descritti nelle presenti istruzioni, a meno che il manutentore non sia qualificato per l'esecuzione degli stessi.

**⚠** **AVVERTENZA****Pericolo causa dispersione verso terra lato CC durante il funzionamento**

A seguito della topologia del prodotto privo di trasformatore, la presenza di dispersioni verso terra sul lato CC durante il funzionamento può causare danni irreparabili. I danni al prodotto causati da un'installazione CC errata o danneggiata non sono coperti dalla garanzia. Il prodotto è dotato di un dispositivo di sicurezza che, solo durante l'avvio, verifica se è presente una dispersione verso terra. Durante il funzionamento il prodotto non è protetto.

- Accertarsi che l'installazione CC sia eseguita correttamente e che non si presenti una dispersione verso terra durante il funzionamento.

**⚠** **AVVERTENZA****Pericolo di ustioni dovuto ad archi voltaici**

Le correnti di cortocircuito della batteria possono generare calore e archi voltaici.

- Prima di eseguire qualsiasi intervento sulla batteria, si deve essere disinsere la tensione di rete.
- Per qualsiasi intervento sulla batteria e sull'inverter, osservare tutte le avvertenze di sicurezza del produttore della batteria.

**⚠** **AVVERTENZA**

Questo inverter privo di trasformatore viene messo in servizio con una batteria non messi a terra (con potenziali liberamente fluttuanti).

**⚠** **AVVERTENZA**

I circuiti di ingresso e uscita sono isolati rispetto all'involucro.

La messa a terra dell'impianto compete all'installatore.

**⚠** **ATTENZIONE**

Tutte le persone a cui sono affidate installazione e manutenzione degli inverter devono:

- Essere addestrate e autorizzate relativamente alle linee guida generali di sicurezza per gli interventi sugli impianti elettrici.
- Conoscere i requisiti, le norme e le direttive locali per l'installazione.

**⚠ ATTENZIONE**

L'inverter non offre alcuna protezione da sovracorrente, che deve quindi essere approntata dall'installatore. Vedere tabella 5.8.

**⚠ ATTENZIONE**

La temperatura dei dissipatori e dei componenti interni dell'inverter può superare i 70 °C. Sussiste il pericolo di ustioni.

L'inverter va installato in modo tale da prevenire ogni contatto con le superfici incandescenti da parte delle persone.

**i NOTA**

Il simbolo utilizzato nelle presenti istruzioni per il conduttore di protezione è illustrato nella figura 2.18.

Per un'illustrazione dell'interruttore CC, consultare Cap. 3.2.2, pag. 175.

**i NOTA**

Per informazioni sul range di temperature di funzionamento, consultare Cap. 5.3, pag. 187.

**i NOTA**

Le presenti istruzioni contengono informazioni sui collegamenti alla rete e sui valori di coppia. V. Cap. 5.4, pag. 188.

**Simboli sull'inverter****Simbolo****Spiegazione**

Pericolo di morte per folgorazione  
Il funzionamento del prodotto comporta tensioni elevate. Tutti gli interventi sullo stesso devono essere eseguiti esclusivamente da tecnici specializzati.



Pericolo  
Questo simbolo segnala che l'inverter deve essere ulteriormente messo a terra se a livello locale è richiesta una seconda messa a terra o un collegamento equipotenziale.

**Simbolo****Spiegazione**

Pericolo di morte per alta tensione nell'inverter: rispettare il tempo di attesa.

Nei componenti dell'inverter percorsi da corrente sono presenti tensioni elevate che possono causare folgorazioni potenzialmente letali.

Prima di eseguire qualsiasi operazione sull'inverter, disinserire sempre la tensione come descritto nel presente documento.



Pericolo di ustioni per contatto con superfici bollenti

Durante il funzionamento il prodotto può surriscaldarsi. Evitare pertanto il contatto durante il funzionamento. Prima di qualsiasi operazione, lasciar raffreddare a sufficienza il prodotto.



Rispettare la documentazione

Rispettare tutta la documentazione fornita assieme al prodotto.



Marchio RAEE

Non smaltire il prodotto con i comuni rifiuti domestici ma nel rispetto delle direttive sullo smaltimento dei componenti elettronici in vigore nel luogo di installazione.

**Conformità**

Per ulteriori informazioni, consultare l'area Download del sito [www.SMA-Solar.com](http://www.SMA-Solar.com) (v. anche Cap. 5, pag. 185).

# 1 Introduzione

Il Sunny Tripower Storage 60 è un inverter con batteria, allacciato sul lato CA per il funzionamento in parallelo alla rete. L'inverter trasforma la corrente continua fornita da una batteria in corrente alternata conforme alla rete trifase. Per il funzionamento è necessario allacciarlo a una rete di approvvigionamento nonché collegarlo a una batteria omologata. L'inverter non è idoneo per altre applicazioni (come ad esempio per il funzionamento fotovoltaico o in impianti eolici).

Il prodotto può essere utilizzato esclusivamente come materiale di esercizio fisso in un determinato luogo.

Il prodotto può essere utilizzato solamente in combinazione con una batteria a sicurezza intrinseca approvata da SMA Solar Technology AG. La batteria deve disporre di un sezionatore separato. Un elenco aggiornato delle batterie approvate da SMA Solar Technology AG [www.SMA-Solar.com](http://www.SMA-Solar.com) è reperibile sul sito.

La batteria deve soddisfare norme e direttive vigenti in loco ed essere a sicurezza intrinseca.

L'interfaccia di comunicazione della batteria utilizzata deve essere compatibile con il prodotto. L'intero range di tensione batteria deve rientrare completamente nel range di tensione d'ingresso consentito del prodotto. La massima tensione d'ingresso CC del prodotto consentita non deve essere superata.

Il sistema di stoccaggio è composto da 3 componenti principali:

- Inverter
- SMA Inverter Manager  
SMA Inverter Manager è sempre necessario per il funzionamento dell'inverter. A ogni SMA Inverter Manager possono essere allacciati fino a 20 inverter e 20 batterie. SMA Inverter Manager gestisce l'intera comunicazione degli inverter e delle batterie. Funge da interfaccia centrale dell'impianto per sistemi di rilevamento dati, il caricamento in servizi cloud e la gestione automatizzata della centrale fotovoltaica.
- Messa in servizio locale e tool di assistenza (LCS Tool)  
LCS Tool è necessario per la messa in funzione e la manutenzione dell'inverter tramite SMA Inverter Manager. LCS Tool funge da interfaccia utente principale per l'impianto.



## 1.1 Panoramica del sistema

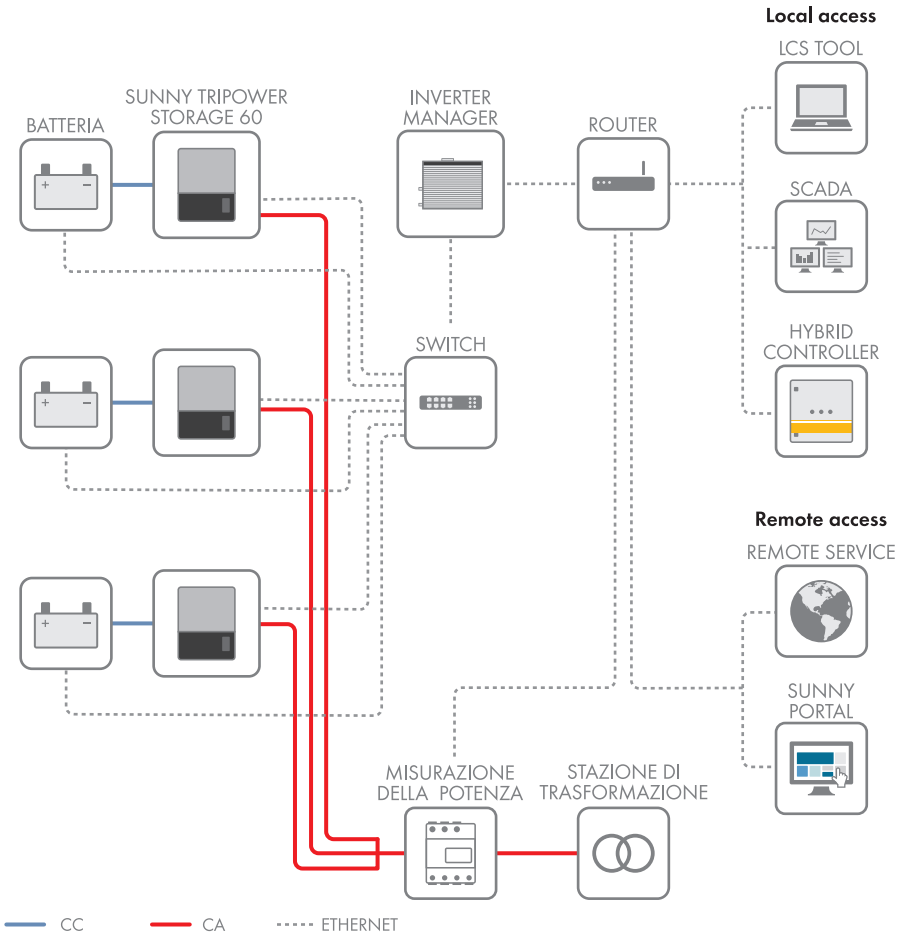


Figura 1.1 Panoramica del sistema

## 1.2 Scopo delle istruzioni

Le presenti istruzioni contengono informazioni per l'installazione e la messa in servizio dell'inverter.

Sono disponibili i seguenti materiali aggiuntivi:

- Guida rapida all'installazione dell'inverter: comprende informazioni importanti per la messa in servizio nonché per la configurazione della comunicazione.
- Istruzioni per l'installazione di SMA Inverter Manager – contiene informazioni necessarie per la messa in servizio nonché per la configurazione della comunicazione.
- Istruzioni di manutenzione per la sostituzione della ventola: comprende informazioni su come sostituire una ventola difettosa.
- Istruzioni di manutenzione per la sostituzione degli SPD (Surge Protection Device): comprende informazioni su come sostituire i dispositivi di protezione contro le sovratensioni.

Questi documenti sono disponibili nell'area download del sito [www.SMA-Solar.com](http://www.SMA-Solar.com) oppure possono essere richiesti al fornitore dell'inverter.

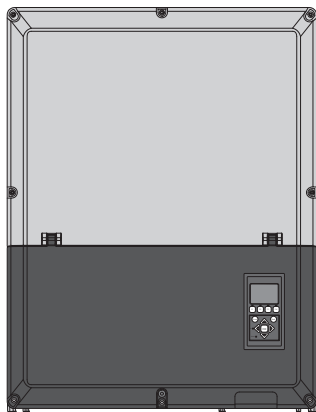


Figura 1.2 Posizionamento dell'inverter

Abbreviazioni	Descrizione
cat5e	Cavo di categoria 5 (caratteristiche migliorate) con doppiini ritorti (Twisted-Pair) per la trasmissione di dati
DHCP	Dynamic Host Configuration Protocol: consente l'assegnazione automatica dell'indirizzo di rete da parte del server DHCP.
DSL	Digital Subscriber Line (linea digitale a sottoscrizione)
CEM (direttiva)	Direttiva sulla compatibilità elettromagnetica
ESD	Scarica elettrostatica
FRT	Fault Ride Through (capacità dell'impianto di rimanere connesso alla rete)
GSM	Global System for Mobile Communications (sistema globale di comunicazione mobile)
HDD	Hard Disk Drive (disco rigido)
IEC	Commissione elettrotecnica internazionale
IT	Terra con neutro
LCS	Local Commissioning and Service Tool (tool locale di messa in servizio e manutenzione)
LED	Diodo a emissione di luce

Abbreviazioni	Descrizione
LVD (Direttiva sulla bassa tensione)	Direttiva sulla bassa tensione
MCB	Interruttore automatico
MPP	Maximum Power Point (punto di massima potenza)
P	P è il simbolo della potenza attiva e si misura in watt (W).
PCB	Piastra a circuito stampato
PCC	Point of Common Coupling (punto di immissione in rete) Il punto della rete pubblica alla quale altri clienti sono o potrebbero essere collegati.
PE	Protezione a terra
PELV	Bassissima tensione di protezione
PLA	Power Level Adjustment (regolazione della potenza d'uscita)
$P_{NOM}$	Potenza [W], potenza attiva nominale
POC	Punto di collegamento Il punto al quale il sistema viene collegato alla rete di approvvigionamento.
$P_{STC}$	Potenza [W] in condizioni di prova standard
FV	Fotovoltaico, celle fotovoltaiche
RCD	Interruttore differenziale
RCMU	Residual Current Monitoring Unit - unità di monitoraggio della corrente residua
$R_{ISO}$	Resistenza di isolamento
ROCOF	Tasso di variazione della frequenza
Q	Q è il simbolo della potenza reattiva ed è misurata in voltampere reattivi (VAR).
S	S è il simbolo della potenza apparente ed è misurata in voltampere (VA).
SOC	State of Charge: (stato di carica della batteria)
STC	Condizioni di test standard (Standard Test Conditions)
SW	Software
THD	Distorsione armonica totale
TN-S	Rete CA con conduttore terra-neutro separati

Abbreviazioni	Descrizione
TN-C	Rete CA con conduttore terra-neutro combinati
TN-C-S	Combinazione dei sistemi TN-C e TN-S: lo scollegamento del conduttore di terra e neutro avviene nel punto di trasmissione tra rete di distribuzione e l'impianto del cliente.
TT	Rete CA separata tra messa a terra dell'impianto del produttore des e messa a terra dell'utente
VNB	Gestore della rete di distribuzione

## 1.3 Disimballaggio

Controllare che il contenuto della fornitura di ciascun prodotto sia completo e non presenti danni visibili all'esterno.

In caso di contenuto della fornitura incompleto o danneggiato rivolgersi al proprio rivenditore.

Nel contenuto della fornitura possono essere compresi elementi

non necessari per l'installazione.

Contenuto:

- Inverter
- Supporto da parete
- Borsa accessori contenente:
  - 6 prese a parete, 8 x 50 mm
  - 6 viti di montaggio, 6 x 60 mm
  - 1 passacavo M25 con pressacavo con guarnizione per cavi Ethernet
  - 1 bullone M6 x 12 mm
- Istruzioni per l'installazione
- Guida rapida per l'installazione

## 1.4 Targhetta di identificazione dell'inverter

La targhetta identifica l'inverter in modo univoco. Le indicazioni sulla targhetta di identificazione sono necessarie per un utilizzo sicuro dell'inverter, oltre a fornire una migliore base di comunicazione con il Servizio di assistenza tecnica SMA. Sulla targhetta di identificazione si trovano le seguenti informazioni:

- Tipo di dispositivo (Model)
- Numero di serie (Serial No.)
- Data di produzione (Date of manufacture)
- Dati caratteristici dell'apparecchio

## 1.5 Ordine d'installazione

1. Osservare le avvertenze di sicurezza speciali all'inizio di queste istruzioni.
2. Montare l'inverter secondo Cap. 2.1, pag. 165, Cap. 2.2, pag. 166 Cap. 2.3, pag. 167.
3. Aprire l'inverter secondo le istruzioni Cap. 2.5, pag. 168.
4. Installare l'alimentazione CA secondo Cap. 2.6, pag. 169.
5. Installare Ethernet secondo Cap. 5.7, pag. 190.
6. Chiudere l'inverter secondo le istruzioni Cap. 2.5, pag. 168.
7. Inserire il sezionatore CC.
8. Attivare l'alimentazione
9. Attivare la batteria
10. Concludere la messa in servizio mediante LCS Tool. Il tool è disponibile nell'area download del sito [www.SMA-Solar.com](http://www.SMA-Solar.com). Requisiti hardware per LCS Tool:
  - PC con Windows™ 7 o superiore
  - 1 GB HDD
  - 2 GB RAM

LCS Tool deve essere installato su un drive locale del PC. Il PC deve essere collegato alla rete dell'impianto di SMA Inverter Manager. Per le impostazioni tramite LCS Tool, v. Cap. 3.2.1, pag. 175.
11. Verifica dell'installazione tramite:
  - Display dell'inverter: LED "On" rimane acceso in verde
  - LCS Tool: l'indicazione dello stato dell'inverter passa a "On grid".
  - Stato della batteria tramite SMA Inverter Manager
12. L'inverter è in servizio.

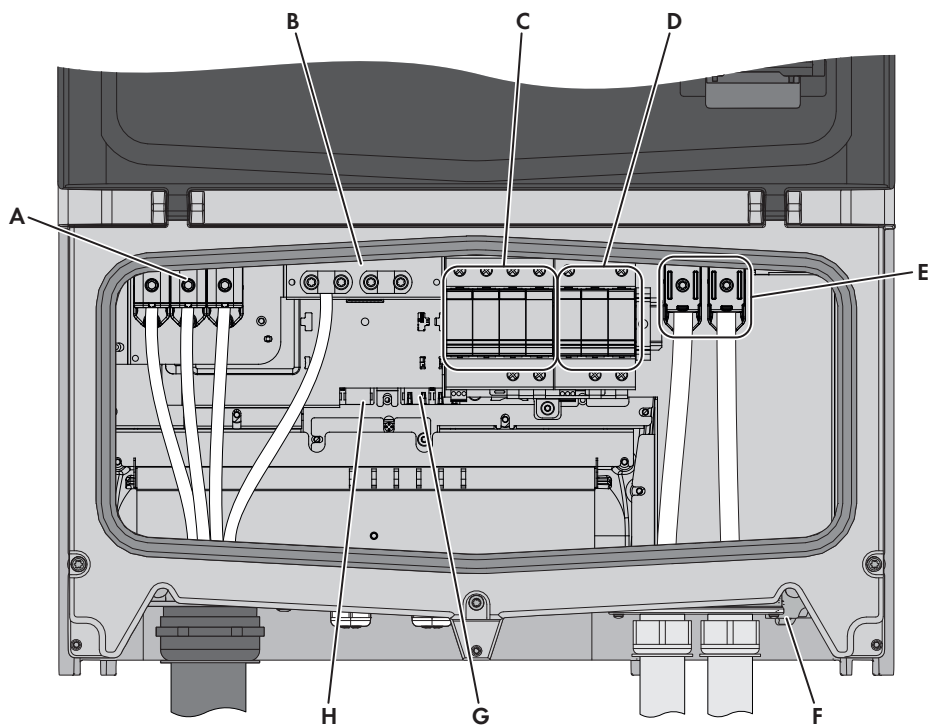


Figura 1.3 Panoramica sull'area di installazione

**PELV (protezione contro le scariche elettriche)**

B	Messa a terra del dispositivo
---	-------------------------------

G	Interfaccia Ethernet x 2
---	--------------------------

H	Interfaccia RS485 (non utilizzata)
---	------------------------------------

**Componenti sotto tensione**

A	Morsetti CA
---	-------------

E	Morsetti CC
---	-------------

**Varie**

C	Protezione da sovratensioni CA (SPD)
---	--------------------------------------

D	Protezione da sovratensioni CC (SPD)
---	--------------------------------------

F	Sezionatore di carico CC
---	--------------------------

Tabella 1.2 Panoramica sull'area di installazione

## 2 Installazione

### 2.1 Ambiente e distanze



Figura 2.1 Evitare un contatto continuo con acqua

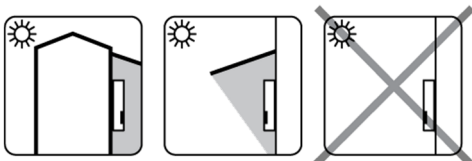


Figura 2.2 Evitare l'esposizione diretta all'irraggiamento solare

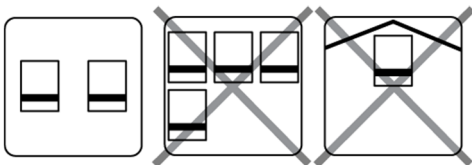


Figura 2.3 Assicurare una ventilazione adeguata

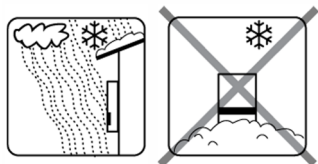


Figura 2.4 Assicurare una ventilazione adeguata

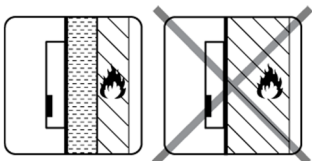


Figura 2.5 Montare su una superficie non infiammabile

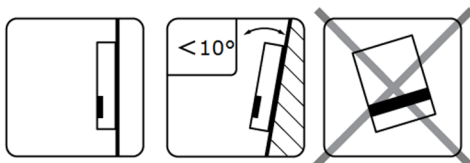


Figura 2.6 Montare in posizione eretta su una superficie verticale. È consentita un'inclinazione all'indietro fino a 10 gradi.



Figura 2.7 Prevenire la polvere e i gas ammoniacali

#### **i** NOTA

Nella scelta del luogo di installazione, assicurarsi che le etichette del prodotto e di avvertenza dell'inverter rimangano sempre visibili. Per informazioni dettagliate a proposito vedere Cap. 5, pag. 185.

## 2.2 Montaggio del supporto da parete

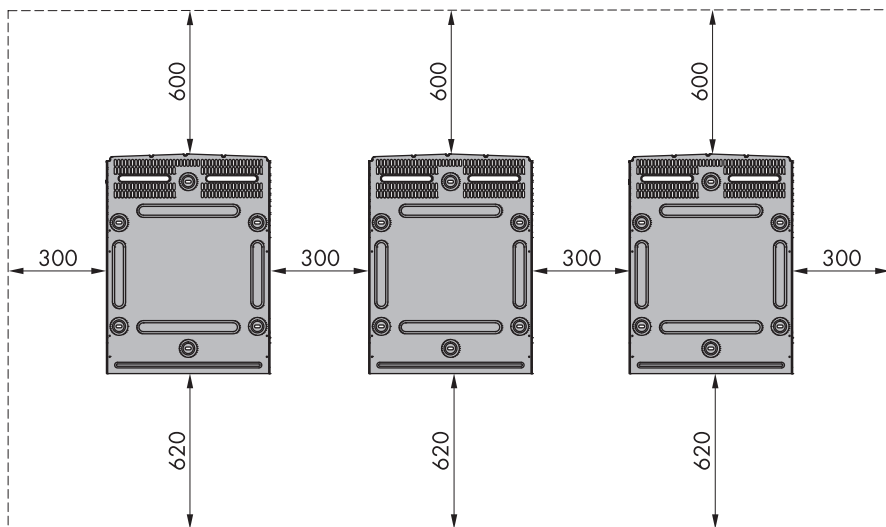


Figura 2.8 Distanze di sicurezza in mm

### **i** NOTA

Per una ventilazione adeguata è necessario rispettare le distanze di sicurezza dagli altri oggetti (v. figura 2.8).

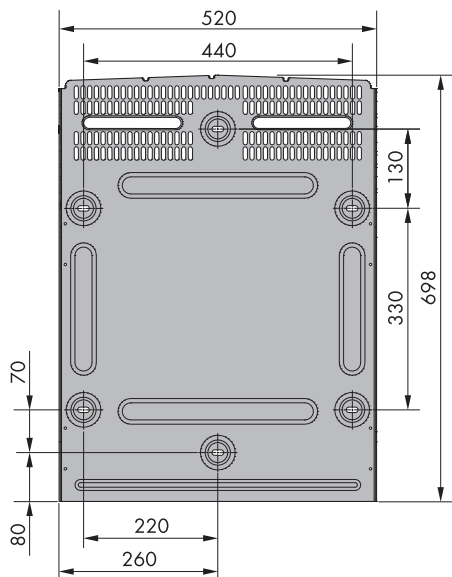


Figura 2.9 Dimensioni del supporto da parete in mm

### **i** NOTA

L'utilizzo del supporto da parete fornito insieme all'inverter è obbligatorio. Se l'inverter viene messo in servizio senza il supporto da parete, la garanzia decade. Si raccomanda vivamente di usare tutti i 6 fori di montaggio (v. figura 2.10).

#### Montaggio del supporto da parete

- Installare il supporto da parete nell'ambiente previsto.
- Utilizzare viti e tasselli da muro che possano sopportare il peso dell'inverter in condizioni di assoluta sicurezza.
- Assicurarsi che il supporto da parete sia allineato correttamente.
- Rispettare le distanze di sicurezza quando si installano uno o più inverter al fine di assicurare un flusso d'aria adeguato. Le distanze sono specificate nella figura 2.8 e sull'etichetta del supporto da parete.
- Si raccomanda di montare inverter multipli in una sola fila. Contattare il fornitore per conoscere le direttive su come montare gli inverter in più di una fila.
- Contattare il fornitore per conoscere le direttive su come montare gli inverter in più di una fila.

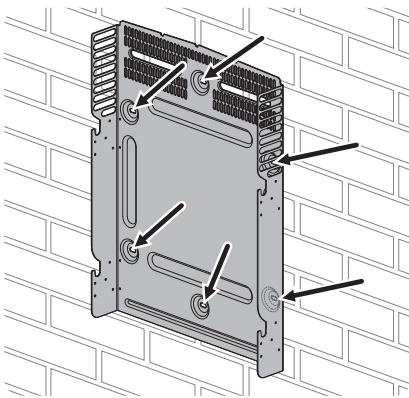


Figura 2.10 Montaggio del supporto da parete

## 2.3 Montaggio dell'inverter

### **⚠** ATTENZIONE

Durante l'uso dell'inverter, rispettare le locali disposizioni sanitarie e di sicurezza.

#### Procedura:

1. Fissare all'inverter staffe filettate M12 e dadi compatibili (non compresi nel contenuto della fornitura).
2. Sollevare l'inverter.

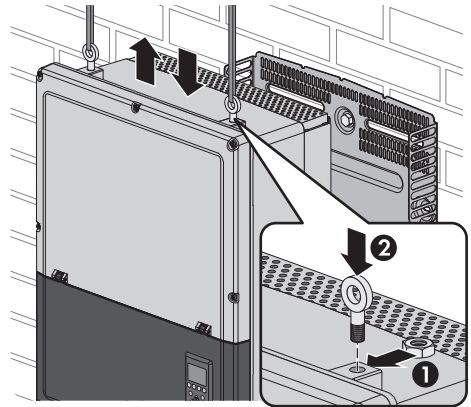


Figura 2.11 Fissaggio delle staffe filettate e sollevamento dell'inverter

3. Localizzare la posizione degli alloggiamenti sul lato del supporto da parete.
4. Sull'inverter, posizionare le viti laterali contro gli alloggiamenti sul supporto da parete. A tale scopo spingere l'inverter come mostrato in modo che le viti laterali scorrano nei due alloggiamenti inferiori e nei due alloggiamenti superiori.

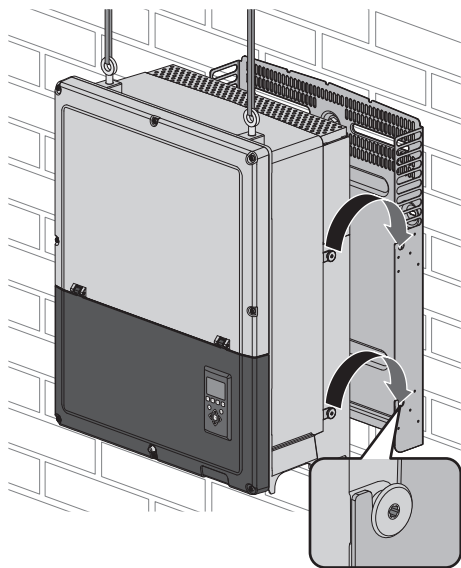


Figura 2.12 Agganciare l'inverter al supporto da parete

5. Controllare che le quattro viti laterali siano fissate saldamente negli alloggiamenti del supporto da parete.
6. Rilasciare l'inverter.

## 2.4 Rimozione dell'inverter

### Procedura:

1. Effettuare la rimozione nell'ordine inverso rispetto al montaggio.
2. Sollevare l'inverter e far scivolare l'inverter fuori dagli alloggiamenti del supporto da parete.
3. Sollevare l'inverter dal supporto da parete.

## 2.5 Accesso all'area di installazione

### ⚠ PERICOLO

#### Folgorazione mortale causa cavi CC sotto tensione

I cavi CC collegati alla batteria possono essere sotto tensione. Il contatto con conduttori CC o componenti sotto tensione causa folgorazioni potenzialmente letali.

- Non toccare le estremità di cavi a vista.
- Non toccare nessun componente sotto tensione.
- Affidare il montaggio, l'installazione e la messa in servizio dell'inverter e della batteria esclusivamente a tecnici specializzati provvisti di apposita qualifica.
- Osservare tutte le avvertenze di sicurezza del produttore della batteria.
- Prima di eseguire qualsiasi intervento sull'inverter e sulla batteria, disinserire sempre la tensione.
- Attendere 5 minuti prima di effettuare lavori all'inverter.
- In caso di errore, incaricare esclusivamente un tecnico specializzato della sua risoluzione.

### ⚠ PERICOLO

#### Disinserimento dell'inverter

Prima di iniziare a lavorare sull'inverter, disinserire la rete CA tramite l'interruttore di alimentazione e il sistema la rete CC mediante il sezionatore di carico. Assicurarsi che il dispositivo non possa essere ricollegato accidentalmente. Usare un voltmetro per assicurarsi che l'unità sia scollegata e senza tensione. Dopo aver effettuato lo scollegamento dalla rete di distribuzione e dalla batteria, attendere almeno 5 minuti prima di procedere.

### ⚠ ATTENZIONE

Osservare i regolamenti di sicurezza ESD. Scaricare qualsiasi carica elettrostatica toccando la cassa collegata a massa prima di manipolare qualsiasi componente elettronico.



**Procedura:**

1. Per aprire il coperchio, allentare le 3 viti anteriori inferiori usando un cacciavite TX 30. Le viti sono viti prigioniere e non possono cadere.
2. Ruotare la copertura di 180 °C. La copertura viene mantenuta in posizione aperta da un magnete.

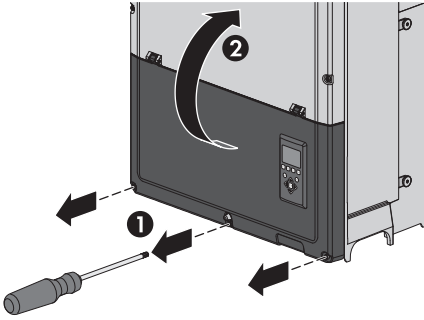


Figura 2. 13 Allentare le viti anteriori e sollevare il coperchio

3. Per chiudere il coperchio, abbassarlo in posizione e fissare le 3 viti anteriori.

**2.6 Collegamento rete CA****⚠ PERICOLO**

Le istruzioni per la connessione alla rete CA sono solo per personale qualificato. Per ridurre il rischio di folgorazione, non è consentito effettuare interventi di manutenzione non espressamente descritti nelle presenti istruzioni, a meno che il manutentore non sia qualificato per l'esecuzione degli stessi.

**⚠ ATTENZIONE**

Per informazioni su fusibili e RCD, fare riferimento a Cap. 5, pag. 185. Le caratteristiche di corrente CA dei fusibili non devono superare la portata dei conduttori usati.

**Riconoscimento IMI**

L'inverter è dotato di un dispositivo di monitoraggio dell'isolamento (IMI) integrato e di un'unità di monitoraggio delle correnti di guasto (RCMU).

L'inverter reagisce alle correnti di guasto a terra continua e all'improvviso cambiamento della corrente di guasto a terra. Questa funzionalità è in esecuzione durante il normale funzionamento.

**Rilevamento della resistenza di isolamento**

L'inverter è dotato di un rilevamento della resistenza di isolamento incorporato. Il rilevatore della resistenza di isolamento effettua una misurazione della resistenza a terra della batteria collegata prima che l'inverter si colleghi alla griglia. Se la resistenza è sotto il codice di rete, impostare valore, l'inverter attende, quindi misurare nuovamente la resistenza dopo un breve lasso di tempo. Quando la resistenza è sopra il valore impostato dal codice di rete, l'inverter effettua un test automatico e si collega alla rete.

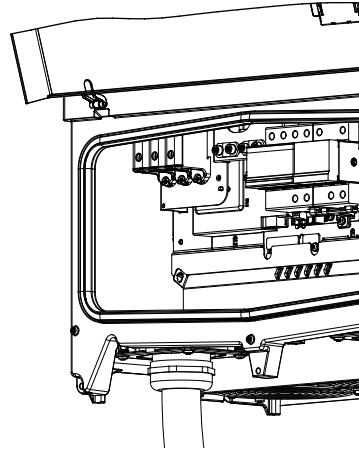


Figura 2. 14 Panoramica sull'area di installazione.

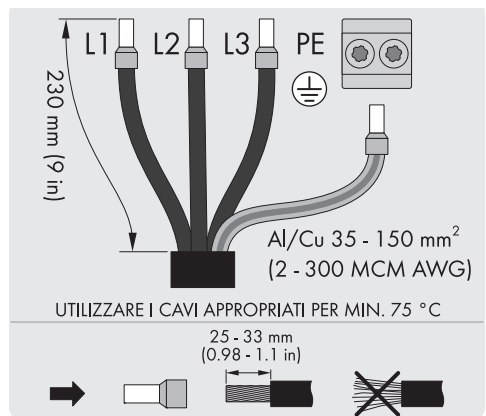


Figura 2. 15 Speltatura del cavo CA

**i** **NOTA**

Per il collegamento CA possono essere utilizzati cavi multifilari e finefilari (vedere figura 2. 16). I cavi devono essere idonei per una temperatura minima di 75 °C. Nel caso di impiego di cavi con conduttori flessibili o flessibilissimi devono essere utilizzati puntalini per il collegamento.

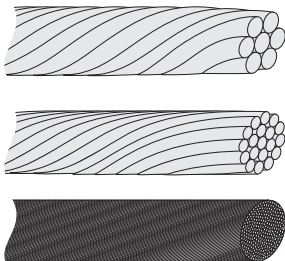


Figura 2.16 Cavo con conduttori diversi (dall'alto verso il basso): a corda rotonda, flessibili o flessibilissimi

L'inverter deve essere collegato solamente ad una rete trifase.

Sul cavo CA, spelare tutti e 4 i fili. Il conduttore di protezione (PE) deve essere più lungo dei conduttori di rete.

1. Verificare che i valori nominali dell'inverter corrispondano alla tensione nominale.
2. Assicurarsi che l'interruttore principale sia rilasciato e adottare le precauzioni necessarie per impedire il collegamento.
3. Aprire il coperchio frontale.
4. Inserire il cavo attraverso il passacavo CA fino alla morsettieria.
5. Collegare i 3 cavi di alimentazione (L1, L2, L3) e il conduttore di terra di protezione (PE) alla morsettieria con i contrassegni rispettivi. Il conduttore di messa a terra di protezione (PE) è contrassegnato con il simbolo indicato in figura 2. 17.
6. Opzionale: realizzare un collegamento di messa a terra di protezione (PE) in corrispondenza dei punti di messa a terra di protezione secondari usando l'apposito bullone esterno del dispositivo, fornito in dotazione con l'inverter. Vedere figura 5.2.
7. Tutti i conduttori devono essere fissati correttamente con la giusta coppia. V. Cap. 5.4, pag. 188.

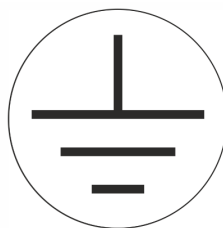


Figura 2. 17 simbolo per il conduttore di protezione

**⚠ AVVERTENZA**

**PERICOLO DI CORRENTE DI DISPERSIONE**

Una insufficiente messa a terra dell'inverter può provocare lesioni gravi o mortali.

- Far verificare la correttezza della messa a terra del dispositivo da un installatore elettrico certificato.

## 2.7 Introduzione dei cavi

I supporti di montaggio per i pressacavo sono già premontati.

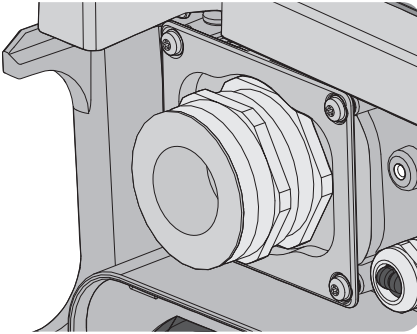


Figura 2.18 Pressacavo CA

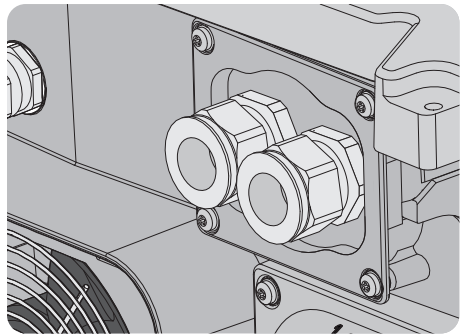


Figura 2.19 Pressacavo CC

Morsetto	Range <sup>1)</sup>	Materiale del conduttore	Diametro del rivestimento del cavo con passacavo in dotazione
CA+PE	35 a 150 mm <sup>2</sup>	Al/Cu	46 a 53 mm
CC	35 a 150 mm <sup>2</sup>	Al/Cu	18 a 25 mm

Tabella 2.1 Sezione conduttori sufficiente

<sup>1)</sup> Osservare sempre la capacità corrente dei cavi usati.

## 2.8 Collegamenti Ethernet

Per collegare i cavi all'esterno, accertarsi di impiegare un cavo idoneo (v. capitolo 5.6 "Dati tecnici delle interfacce di comunicazione", pagina 189). Se il cavo è molto rigido, deve essere usata una morsettieria intermedia per fare sì che ci sia un cavo più flessibile prima dell'accesso all'inverter. Nel caso di alcuni cavi potrebbe essere sufficiente togliere il rivestimento esterno alla parte del cavo che si trova dentro l'involucro dell'inverter. Questo serve a proteggere i connettori Ethernet RJ45 montati su circuito stampato da uno stress eccessivo, che potrebbe causare danni o problemi di connessione.

Procedura:

1. Non rimuovere il connettore RJ45 presente sul cavo Ethernet.
2. Far passare i cavi attraverso la base dell'inverter tramite i passacavi. Vedere figura 2.20.
3. Tagliare la rondella in gomma. Collocare la rondella nel passacavo per assicurare la tenuta corretta.

4. Inserire nel connettore Ethernet.

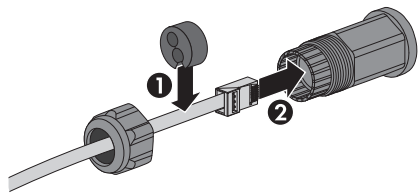


Figura 2.20 Far passare i cavi attraverso i passacavi

## 2.9 Collegamento CC

### ⚠ AVVERTENZA

#### Pericolo di morte per incendio in caso di cortocircuito

L'inverter non può evitare un cortocircuito nella batteria. Le correnti di cortocircuito possono provocare incendi.

- Inserire tra l'inverter e la batteria un sezionatore di carico e una valvola fusibile UL Class J che in caso di guasto disinseriscono in modo sicuro la corrente di cortocircuito dalla batteria.

### ⚠ ATTENZIONE

L'inverter è protetto contro brevi inversioni di polarità. Se non viene corretta, l'inversione di polarità provoca un danno irreparabile dell'inverter e comporta il decadimento della garanzia.

- Accertare il corretto collegamento dei cavi sull'inverter affinché quest'ultimo possa immettere in rete la tensione d'ingresso CC.
- Collegare solo batterie con riconoscimento di inversione di polarità all'inverter.

### ⚠ ATTENZIONE

La batteria è flottante, con entrambi i conduttori (+) e (-) collegati ai morsetti CC degli inverter. Nessun conduttore deve essere collegato alla terra.

### ⚠ ATTENZIONE

Se il sezionatore CC viene attivato con la batteria accesa, questo provoca un danno irreparabile dell'inverter e comporta il decadimento della garanzia.

- Accertarsi prima di attivare il sezionatore CC che la batteria sia spenta.

È necessario un sezionatore CC sul quadro di parallelo CC o sull'inverter per una disconnessione sicura della corrente CC dall'inverter.

### ⚠ AVVERTENZA

CC NON deve essere collegato a terra!

### ⚠ AVVERTENZA

#### Pericolo causa dispersione verso terra lato CC durante il funzionamento

A seguito della topologia del prodotto privo di trasformatore, la presenza di dispersioni verso terra sul lato CC durante il funzionamento può causare danni irreparabili. I danni al prodotto causati da un'installazione CC errata o danneggiata non sono coperti dalla garanzia. Il prodotto è dotato di un dispositivo di sicurezza che, solo durante l'avvio, verifica se è presente una dispersione verso terra. Durante il funzionamento il prodotto non è protetto.

- Accertarsi che l'installazione CC sia eseguita correttamente e che non si presenti una dispersione verso terra durante il funzionamento.

### ⚠ AVVERTENZA

#### In caso di dispersione a terra non attivare il sezionatore di carico CC

In rari casi in presenza di un guasto può crearsi una miscela di gas infiammabile all'interno dell'apparecchio. In caso di attivazione, tale situazione può provocare un incendio o un'esplosione. L'incendio o l'espulsione di componenti che ne derivano possono causare la morte o lesioni potenzialmente mortali.

- In caso di guasto, adottare unicamente le soluzioni indicate da SMA Solar Technology AG (per le soluzioni Cap. 4.1, pag. 177). Se non viene indicata nessuna soluzione, non eseguire alcun intervento sul prodotto. Contattare il Servizio di assistenza tecnica.
- Accertarsi che nessuna persona non autorizzata possa accedere al prodotto.
- Disinserire l'interruttore automatico CA e assicurarolo contro il reinserimento involontario.
- Separare la batteria dal prodotto mediante un dispositivo di sezionamento esterno. Non attivare il sezionatore di carico CC sul prodotto.

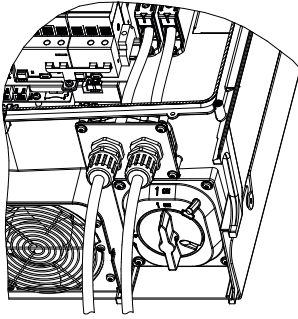


Figura 2. 22 Punti di collegamento CC

### **i** NOTA

Per il collegamento CC possono essere utilizzati conduttori a corda rotonda, flessibili o flessibilissimi (v. figura 2.23). I cavi devono essere idonei per una temperatura minima di 75 °C.

Nel caso di impiego di cavi con conduttori flessibili o flessibilissimi devono essere utilizzati puntalini per il collegamento.

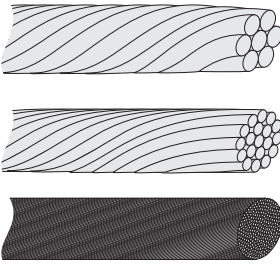


Figura 2.23 Cavo con conduttori diversi (dall'alto verso il basso): a corda rotonda, flessibili o flessibilissimi

1. Posizionare il sezionatore di carico CC nell'inverter su Spento.
2. Collegare il cavo CC all'inverter. Prestare attenzione alla corretta polarità.
3. Tutti i conduttori devono essere fissati correttamente con la giusta coppia (v. Cap. 5.4, pag. 188).

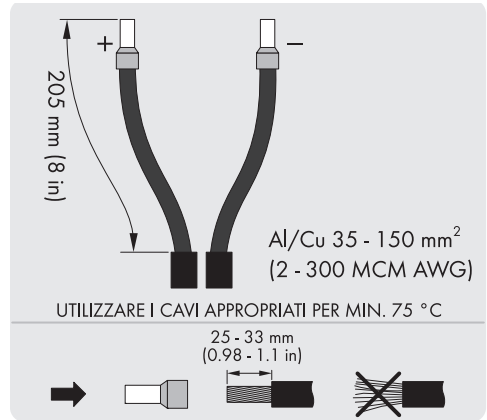


Figura 2. 27 Adesivo FV

## 2.10 Chiusura

1. Chiudere il coperchio dell'area di installazione dell'inverter. Stringere le 3 viti anteriori (v. Cap. 5.4, pag. 188).
2. Accendere l'alimentazione CA.

## 3 Setup iniziale e avviamento

### 3.1 Interfaccia utente

L'interfaccia utente comprende:

- Display locale, per tutte le varianti inverter. Il display locale consente le informazioni dell'inverter in stato di sola lettura. Non è possibile configurare o effettuare il setup dell'inverter tramite il display. Il simbolo “#” sul display spiega le modalità di funzionamento.
- Messa in servizio e manutenzione locale (LCS Tool) LCS Tool consente la configurazione di uno o più inverter.

#### 3.1.1 Modalità di funzionamento

L'inverter dispone di 5 modi di funzionamento, indicati dai LED.

Stato	LED	LED
Off grid (Non connesso alla rete pubblica)	Verde	-----
	Rosso	-----
Connecting (collegamento alla rete)	Verde	■ ■ ■ ■ ■
	Rosso	-----

Stato	LED	LED
On grid (Connesso alla rete pubblica)	Verde	████████████████
	Rosso	-----
Internal inverter event (Evento interno dell'inverter)	Verde	███
	Rosso	-----
Fail safe (Inibizione del funzionamento)	Verde	-----
	Rosso	███

Tabella 3.1 Modi di funzionamento

**Off grid** (LED spenti)

#0-51

In condizioni di funzionamento particolari, l'inverter si scollega autonomamente dalla rete e si spegne. Le interfacce utente e di comunicazione rimangono alimentate per scopi di comunicazione.

**Connecting** (LED verde lampeggiante)

#52-53

L'inverter si avvia quando la tensione d'ingresso CC raggiunge la tensione iniziale CC. L'inverter effettua una serie di autotest interni, inclusa la misurazione della resistenza tra il lato CC e la terra. Nel frattempo monitora anche i parametri della rete di distribuzione. Quando i parametri di rete rientrano nelle specifiche previste per l'intervallo di tempo predefinito (a seconda del codice di rete e delle norme e direttive valide sul posto), l'inverter inizia l'immissione nella rete pubblica.

**On grid** (LED verde acceso)

#60

L'inverter è collegato alla rete pubblica (CA) e la alimenta. L'inverter si scollega nei seguenti casi:

- L'inverter rileva condizioni anomale della rete (in funzione del codice di rete).
- Si verifica un evento interno.
- Per motivi operativi.

**Internal inverter event** (LED verde lampeggiante)

#54

L'inverter è in attesa di una condizione interna per essere entro i limiti (ad esempio una temperatura eccessiva) prima di essere collegato nuovamente alla rete.

**Fail safe** (LED rosso lampeggiante)

#70

Se rileva un errore nei propri circuiti durante l'autotest (in modalità "Connecting") o durante il funzionamento, l'inverter passa alla modalità "Fail safe" scollegandosi dalla rete pubblica. L'inverter rimarrà nella modalità di funzionamento "Fail safe" finché la potenza CC sarà mancata per almeno 10 minuti o finché l'inverter sarà stato arrestato completamente (CA+CC).

## 3.2 Display

**NOTA**

L'attivazione del display dopo l'accensione può richiedere un po' di tempo.

L'utente ha accesso alle informazioni relative all'inverter grazie al display integrato nella parte anteriore dell'inverter.



Figura 3.1 Panoramica dei pulsanti del display e relative funzioni

Tasto	Funzione
F1	Regola livello di contrasto del display. Usare il tasto freccia su/giù tenendo premuto il tasto F1.
F2	Senza funzione
F3	
F4	

Tasto	Funzione
Home	Torna alla schermata principale
OK	Senza funzione
Freccia in su	Una posizione in su
Freccia in giù	Una posizione in giù
Freccia a destra	Passa alla schermata a destra
Freccia a sinistra	Passa alla schermata a sinistra
Back	Torna alla schermata principale
On - LED verde	
Alarm - LED rosso	

Tabella 3.2 Panoramica dei pulsanti del display e relative funzioni

La struttura della schermata è suddivisa in diverse sezioni:

1. Schermata principale. Produzione attuale e giornaliera.

Questa sezione contiene:

- Potenza d'uscita effettiva (kW)
- Energia giornaliera (kWh)
- Energia totale (kWh)
- Data corrente
- Ora corrente
- Modalità di funzionamento (#)

2. Informazioni sull'inverter. Questa sezione contiene:

- Tipo di inverter
- Nome inverter
- Numero di serie dell'inverter
- Indirizzo IP
- Numero di serie di SMA Inverter Manager
- Versione firmware inverter

3. Valori effettivi. Questa sezione contiene:

- Tensione CC e corrente
- Tensioni da fase a fase
- Correnti di fase
- Frequenza di rete

## 3.2.1 Setup iniziale attraverso LCS Tool

Gli inverter e lo SMA Inverter Manager devono essere messi in funzione tramite il tool di messa in funzione e manutenzione locale (LCS Tool). La messa in funzione è necessaria prima che l'inverter possa collegarsi alla rete CA e iniziare a immettere l'elettricità.

LCS Tool permette di scegliere da un elenco di record di dati nazionali per diverse reti. I record di dati nazionali specifici per il cliente possono essere predisposti da SMA e caricati tramite LCS Tool (v. istruzioni per l'installazione di SMA Inverter Manager / LCS Tool).

Dopo l'installazione, verificare tutti i cavi e chiudere l'inverter.

Accendere l'alimentazione CA.

### ⚠ AVVERTENZA

La corretta selezione del codice di rete è essenziale per soddisfare gli standard locali e nazionali

È possibile generare file del codice di rete specifici per un cliente con impostazioni modificate (v. cap. 3.2.4).

## 3.2.2 Inserimento del sezionatore CC

### ⚠ ATTENZIONE

Se il sezionatore CC viene attivato con la batteria accesa, questo provoca un danno irreparabile dell'inverter e comporta il decadimento della garanzia.

- Accertarsi prima di attivare il sezionatore CC che la batteria sia spenta.

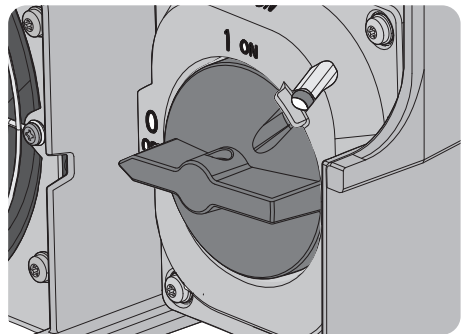


Figura 3.2 Sezionatore di carico CC

Attivare il sezionatore CC sull'inverter.

### 3.2.3 Messa in servizio

L'inverter si avvia automaticamente. La batteria viene attivata tramite SMA Inverter Manager. L'avviamento richiede pochi minuti. Durante questo periodo, l'inverter effettua un autotest.

#### **NOTA**

L'inverter è protetto contro brevi inversioni di polarità.  
L'inverter non genera corrente fino alla correzione dell'eventuale polarità inversa.

#### **ATTENZIONE**

Se perdura a lungo, l'inversione di polarità provoca un danno irreparabile dell'inverter e comporta quindi il decadimento della garanzia.

- Accertare il corretto collegamento dei cavi sull'inverter.

### 3.2.4 File del codice di rete

#### **NOTA**

Se il codice di rete desiderato non è disponibile, oppure se LCS Tool segnala l'incompatibilità delle versioni software, il codice di rete e la libreria del software devono essere aggiornati su LCS Tool.

È possibile generare file del codice di rete specifici per il cliente con impostazioni modificate. Contattare a questo scopo SMA Solar Technology AG.

### 3.2.5 Configurazione del fallback

Se la comunicazione fra inverter ed SMA Inverter Manager viene interrotta, l'inverter passa in una condizione di funzionamento precedentemente definita (fallback). La condizione di funzionamento desiderata in caso di interruzione della comunicazione può essere attivata o configurata mediante il file del codice di rete specifico del cliente o mediante LCS Tool. Per la configurazione del fallback dell'impianto sovraordinato fra SMA Inverter Manager e un'unità di regolazione sovraordinata (ad es. il sistema SCADA o Power Plant Controller) v. le istruzioni per l'installazione di SMA Inverter Manager / LCS Tool.

#### **NOTA**

Rispettare le disposizioni dell'azienda elettrica competente.



## 4 Servizio di assistenza tecnica SMA

### 4.1 Ricerca degli errori

Le informazioni sono organizzate in tabelle che mostrano i messaggi visualizzati in LCS Tool, noti come eventi.

Le tabelle contengono descrizioni di eventi nonché spiegazioni di quali azioni intraprendere quando si verifica un determinato evento.

Una lista con eventi della batteria può essere fornita dal produttore della batteria.

Tipo di evento	Indica se l'evento è relativo alla categoria Grid, CC, Internal o Fail safe.
ID	L'ID specifico dell'evento.
Display	Testo visualizzato nel display.
Descrizione	Descrizione dell'evento.
Provvedimento	Descrizione del tipo di azione da intraprendere prima di contattare altre risorse.
VNB	Se l'azione prescritta non ha identificato il malfunzionamento, contattare il gestore della rete pubblica di distribuzione per ricevere assistenza.
Servizio di assistenza tecnica SMA	Se l'azione prescritta non ha identificato il malfunzionamento, contattare il servizio di assistenza tecnica (v. capitolo 6 "Contatti", pagina 191).
CC	Se l'azione prescritta non ha identificato il malfunzionamento, contattare il produttore della batteria per ricevere assistenza.

#### Eventi di rete

ID	Segnalazione di stato	Descrizione	Provvedimento	VNB	Servizio di assistenza tecnica SMA	CC
1-6		Tensione di rete troppo bassa.	Controllare la tensione e l'installazione CA. Se la tensione è zero, controllare i fusibili.	x	-	-
7-9		Media della tensione di rete troppo elevata per 10 minuti.	Controllare che l'installazione sia corretta in base alla guida all'installazione. In tal caso, richiedere un nuovo file del codice di rete con un limite di tensione maggiore o una potenza reattiva per la soppressione della tensione.	x	-	-
10-15		Tensione di rete troppo elevata.	Controllare la tensione e l'installazione CA.	x	-	-
16-18		L'inverter ha rilevato un picco di tensione sulla rete di distribuzione.	Controllare la tensione e l'installazione CA.	x	-	-

ID	Segnalazione di stato	Descrizione	Provvedimento	VNB	Servizio di assistenza tecnica SMA	CC
19, 22		Frequenza di rete troppo bassa o troppo elevata.	Controllare la frequenza di rete.	x	-	-
28-30		Variatione della frequenza di rete superata.	Verificare lo scostamento della frequenza di rete.	x	-	-
31-33		Corrente di rete CC troppo alta.	Per occorrenze giornaliere ripetute, effettuare l'analisi di rete in loco.	-	x	-
34-37		L'unità di monitoraggio a corrente residua (RCMU) ha misurato una corrente eccessiva.	Disinserire sia CC che CA e attendere che si spenga il display. Quindi inserire CC e CA e osservare se l'evento si ripete. Ispezione visiva di tutti i cavi e moduli CC.	-	x	-
40	Rete CA non conforme	La rete CA è stato fuori intervallo per oltre 10 minuti (frequenza e/o tensione).	Controllare la frequenza di rete, la tensione di rete, la versione del software e le impostazioni del codice di rete.	x	-	-
41-43		Fault Ride Through. (Capacità dell'impianto di rimanere connesso alla rete) L'inverter ha rilevato che la tensione di rete era inferiore o superiore a un certo livello.	Se questo evento viene segnalato più volte ogni giorno, effettuare l'analisi di rete in loco.			
48, 51		Frequenza di rete troppo bassa o troppo elevata.	Controllare la frequenza e l'installazione CA.	x	-	-
54-56		Corrente di rete CC troppo elevata (fase 2).	Per occorrenze giornaliere ripetute, effettuare l'analisi di rete in loco.	x	-	-
61		Perdita di rete, fase aperta rilevata.	Se l'evento si ripete varie volte al giorno, contattare il gestore di rete.	x	-	-
62		Blackout	Se l'evento si ripete varie volte al giorno, contattare il gestore di rete.	x	-	-
64-81		Tensione di rete in fase troppo bassa.	Controllare la tensione e l'installazione CA. Se la tensione è zero, controllare i fusibili.	x	-	-

Tabella 4.1 Eventi di rete

## Eventi della batteria

ID	Segnalazione di stato	Descrizione	Provvedimento	VNB	Servizio di assistenza tecnica SMA	CC
115, 260	DC ISO too low	La resistenza tra i collegamenti CC e terra (PE) è troppo bassa per l'avviamento dell'inverter. In questo caso l'inverter eseguirà una nuova misura dopo 10 minuti.	Effettuare un'ispezione visiva di tutti i cavi CC e la batteria per un'installazione corretta in base alla guida all'installazione. L'evento potrebbe indicare che manca il collegamento PE. <b>Avvertenza:</b> se il messaggio si presenta ripetutamente diversi giorni di seguito, significa che è presente un problema generale nell'isolamento CC. In questo caso è necessario controllare approfonditamente l'isolamento in quanto non è possibile escludere una dispersione improvvisa verso terra durante il funzionamento. <b>Avvertenza:</b> una dispersione verso terra durante il funzionamento può distruggere completamente l'apparecchio.	-	x	x
258	La tensione CC è troppo elevata/in attesa.	La tensione CC è troppo elevata.	Controllare che l'installazione della batteria e la configurazione corrispondano alle raccomandazioni nei manuali.	-	x	x
278		Avvertenza tensione CC elevata.	Controllare che l'installazione della batteria e la configurazione corrispondano alle raccomandazioni nei manuali.	-	x	x
400	Charge current exceeded high limit	Corrente di carica è troppo alta	Controllare la gestione della batteria	-	-	x
401	Discharge current exceeded high limit	Corrente di carica è troppo alta.	Controllare la gestione della batteria	-	-	x
402	DC voltage exceeded high limit	La tensione CC è troppo elevata.	Controllare la gestione della batteria	-	-	x

ID	Segnalazione di stato	Descrizione	Provvedimento	VNB	Servizio di assistenza tecnica SMA	CC
403	DC voltage exceeded low limit	La tensione CC è troppo bassa.	Controllare la gestione della batteria	-	-	x
491	Inverter lost communication from battery	Errore di comunicazione	Verificare il cablaggio	-	x	x
492	not defined	Formattazione dei parametri inviati della batteria non è compatibile.	Contattare il produttore della batteria.	-	-	x

Tabella 4.2 Eventi della batteria

### Eventi interni

ID	Segnalazione di stato	Descrizione	Provvedimento	VNB	Servizio di assistenza tecnica SMA	CC
2000		La temperatura interna dell'inverter è troppo alta.	-	-	-	-
2010, 2011		È stato avviato/concluso l'aggiornamento software del computer principale.	-	-	-	-
2012 - 2018		L'aggiornamento software non è riuscito.	Avviare nuovamente l'aggiornamento software. In caso che si verificano errori durante l'aggiornamento, contattare il servizio di assistenza tecnica SMA.	-	x	-
2030		La trasmissione del codice di rete al computer principale non è andata a buon fine.	Se questo evento si verifica frequentemente, contattare il servizio di assistenza tecnica SMA.	-	x	-
2050		La connessione Ethernet è attiva.	Non è necessario nessun provvedimento. Questo errore consente ad es. di identificare cavi Ethernet guasti.	-	-	-
2051		La connessione Ethernet è scollegata.	Non è necessario nessun provvedimento. Questo errore consente ad es. di identificare cavi Ethernet guasti.	-	-	-

ID	Segnalazione di stato	Descrizione	Provvedimento	VNB	Servizio di assistenza tecnica SMA	CC
2052, 2053		La trasmissione del codice di rete di SMA Inverter Manager all'inverter è stato avviato/concluso.	-	-	-	-
2054		La trasmissione del codice di rete di SMA Inverter Manager all'inverter non è andata a buon fine.	Se questo evento si verifica frequentemente, contattare il servizio di assistenza tecnica.	-	-	-
2055	Fallback attivato	L'inverter è passato alla modalità di fallback dopo l'interruzione della comunicazione con SMA Inverter Manager.		-	-	-
2056	Fallback concluso	L'inverter è ritornato alla condizione di funzionamento normale dopo essersi trovato in modalità di fallback a causa di un problema di comunicazione con SMA Inverter Manager.		-	-	-

Tabella 4.3 Eventi interni

### Eventi interni

ID	Segnalazione di stato	Descrizione	Provvedimento	VNB	Servizio di assistenza tecnica SMA	CC
201-208		La temperatura interna dell'inverter è troppo elevata.	Controllare che l'inverter non sia coperto da oggetti o polvere e che i canali di aerazione non siano ostruiti o intasati.	-	x	-
209, 210		La tensione sul bus CC è troppo elevata.	Se l'evento persiste, resettare l'inverter scollegando CC e CA usando i connettori. Se l'evento si ripete, controllare la tensione massima CC tramite il display per verificare se è superiore ai limiti.	-	x	-
211	Numero di giri ventola troppo basso	La velocità della ventola è troppo bassa.	Controllare se la ventola dell'inverter è bloccata.	-	x	-

ID	Segnalazione di stato	Descrizione	Provvedimento	VNB	Servizio di assistenza tecnica SMA	CC
213-215		Errore interno. La tensione misurata a monte e a valle del relè differisce troppo.	Contattare il Servizio di assistenza tecnica.	-	x	-
216-218		La corrente misurata sul lato CA è troppo elevata.	Contattare il Servizio di assistenza tecnica.	-	x	-
219-221		Errore interno. La tensione misurata a monte e a valle del relè differisce troppo.	Contattare il Servizio di assistenza tecnica.	-	x	-
225-240, 275		Guasto nella memoria/EEPROM.	Riavviare l'inverter. Se l'evento persiste, chiamare l'assistenza.	-	x	-
241, 242, 245, 249		Errore di comunicazione interno	Riavviare l'inverter. Se l'evento persiste, chiamare l'assistenza.	-	x	-
248		Errore CPU interno.	Riavviare l'inverter. Se l'evento persiste, chiamare l'assistenza.	-	x	-
252-254		La corrente misurata sul lato CA è troppo elevata.	Se l'evento persiste, chiamare l'assistenza.	-	x	-
243, 263		Errore interno.	Riavviare l'inverter. Se l'evento persiste, chiamare l'assistenza.	-	x	-
279		Errore del sensore di temperatura	Se l'evento persiste, chiamare l'assistenza.	-	x	-
280		Timeout autotest 24 ore. L'autotest deve essere eseguito almeno una volta ogni 24 ore.	Nessuna.	-	-	-
281		Troppi eventi RCMU durante le passate 24 ore. Sono consentiti in 24 ore solo 4 tentativi di riconnessione automatici dopo l'evento 34. L'inverter tenta automaticamente di ricollegarsi dopo un certo periodo di tempo.	Attendere fino a 24 ore. Se si verifica anche l'evento 34, seguire l'azione per l'evento 34.	-	x	-
282		Impostazioni del codice di rete non valide.	Riavviare l'inverter. Se l'evento persiste, chiedere all'Assistenza di generare un nuovo file del codice di rete o rifezionare un codice di rete standard.	-	x	-
283		Errore comando di gate.	Riavviare l'inverter. Se l'evento persiste, chiamare l'assistenza.	-	x	-

ID	Segnalazione di stato	Descrizione	Provvedimento	VNB	Servizio di assistenza tecnica SMA	CC
323		Errore ventola interna. La massima potenza di uscita è stata ridotta.	Se l'evento persiste, chiamare l'assistenza.	-	x	-

Tabella 4.4 Eventi interni

### Eventi causati dall'autotest

ID	Descrizione	Provvedimento	VNB	Servizio di assistenza tecnica SMA	CC
100	La corrente di ingresso CC è negativa. Errore del sensore.	Controllare la polarità della batteria. Se è corretta, chiamare il servizio di assistenza tecnica.	-	x	-
264	Test del circuito di misura fallito.	Se l'evento persiste, chiamare l'assistenza.	-	x	-
266	Test del circuito di misura fallito.	<b>Avvertenza:</b> non attivare il sezionatore di carico CC dell'inverter. È comunque possibile disinserire la tensione CC mediante un sezionatore di carico CC nella Combiner Box. Non eseguire nessun altro intervento di commutazione o azione sull'inverter. Contattare immediatamente il Servizio di assistenza tecnica SMA.	-	x	x
272	Errore del dispositivo di protezione da sovratensioni CC. L'inverter continua a funzionare senza protezione da sovratensioni.	Sostituire il dispositivo di protezione da sovratensioni CC. V. le istruzioni per la sostituzione dell'SPD per i dettagli.	-	x	-
273	Errore del dispositivo di protezione da sovratensioni di rete CA. L'inverter continua a funzionare senza protezione da sovratensioni.	Sostituire il dispositivo di protezione da sovratensioni di rete CA. V. le istruzioni per la sostituzione dell'SPD per i dettagli.	-	x	-
274	Stato del dispositivo di protezione da sovratensioni sconosciuto.	Riavviare l'inverter. Se l'evento persiste, chiamare l'assistenza.	-	x	-
350-352	Autotest dell'unità di monitoraggio correnti di guasto (RCMU) fallito.	Contattare il Servizio di assistenza tecnica.	-	x	-
353	Test sensore di corrente fallito.	Contattare il Servizio di assistenza tecnica.	-	x	-

ID	Descrizione	Provvedimento	VNB	Servizio di assistenza tecnica SMA	CC
356-361	Il test del transistor e dei relè è fallito oppure si è guastato il relè dell'inverter (con la premessa che il contatto fosse saldato).	<b>Avvertenza:</b> non attivare il sezionatore di carico CC dell'inverter. È comunque possibile disinserire la tensione CC mediante un sezionatore di carico CC nella Combiner Box. Non eseguire nessun altro intervento di commutazione o azione sull'inverter. Contattare immediatamente il Servizio di assistenza tecnica SMA.	-	x	-
366	Autotest dell'unità di monitoraggio correnti di guasto (RCMU) fallito.	Contattare il Servizio di assistenza tecnica.	-	x	-

Tabella 4. 5 Eventi causati dall'autotest

## 4.2 Manutenzione

Assicurarsi che il dissipatore di calore sul lato posteriore dell'inverter non sia coperto.

Per un funzionamento corretto e una lunga durata in servizio, assicurare una libera circolazione dell'aria:

- intorno al dissipatore di calore sul lato superiore
- verso la ventola alla base dell'inverter.

Per togliere le ostruzioni, pulire usando aria compressa, un panno morbido oppure una spazzola.

### AVVERTENZA

La temperatura del dissipatore di calore può superare i 70 °C.



## 5 Dati tecnici

### 5.1 Specifiche

Parametri	STPS60-10
<b>CA</b>	
Potenza massima alla tensione nominale	75000 W
Potenza apparente CA massima	75000 VA
Potenza reattiva massima	75000 var
Tensione nominale CA	3 / PE; 400 V ± 10%
Range di tensione alternata	da 360 V a 530 V
Corrente d'uscita max	109 A
Fattore di distorsione CA (THD alla potenza di uscita nominale)	≤ 1%
Fattore di potenza alla potenza nominale	1
Fattore di potenza alla potenza nominale / Fattore di sfasamento regolabile	1 / 0 induttivo a 0 capacitivo
Potenza assorbita in standby (solo comunicazione)	< 3 W
Frequenza di rete CA / Range	50 Hz / 44 Hz a 55 Hz 60 Hz / 54 Hz a 65 Hz
Fasi di immissione / Fasi di collegamento	3 / 3
<b>CC</b>	
Potenza di carica max.	60000 W
Range di tensione CC	570 V a 1000 V
Corrente d'ingresso max 660 V	140 A
Categorie di sovratensione	CA: Categoria di sovratensione III (OVC III) CC: Categoria di sovratensione II (OVC II)
Scaricatore di sovratensioni CC / Scaricatore di sovratensioni CA integrabile	Tipo II / Tipo II + III (combinato)
<b>Grado di rendimento</b>	
Grado di rendimento massimo	98,8%
<b>Involucro</b>	
Dimensioni (A x L x P)	740 × 570 × 306 mm
Peso	77 kg
Livello di rumorosità	58 dB(A) (tipica)

Tabella 5.1 Specifiche

Parametri	STPS60-10
<b>Classe di isolamento (secondo IEC 62109-1)</b>	I
<b>Elettrica</b>	
Sicurezza elettrica	<ul style="list-style-type: none"> <li>• IEC 62109-1/IEC 62109-2 (classe I, messo a terra; parte di comunicazione classe II, PELV)</li> </ul>
<b>Funzionale</b>	
Sicurezza funzionale	<ul style="list-style-type: none"> <li>• Monitoraggio di tensione e frequenza</li> <li>• Monitoraggio della quota di corrente continua nella corrente alternata</li> <li>• Monitoraggio della resistenza di isolamento</li> <li>• Monitoraggio della corrente residua</li> </ul>
Rilevamento rete ad isola - blackout	<ul style="list-style-type: none"> <li>• Spostamento attivo della frequenza</li> <li>• Separazione</li> <li>• Monitoraggio trifase</li> <li>• ROCOF/SFS</li> </ul>
Compatibilità RCD <sup>1)</sup>	Tipo B, 1000 mA

Tabella 5.2 Specifiche di sicurezza

<sup>1)</sup> A seconda delle normative locali.

## 5.2 Conformità

Norme internazionali	STPS60-10
Grado di rendimento	Massimo grado di rendimento, standard: EN 50530
Direttiva CE sulla bassa tensione	2014/35/EU
Direttiva CE sulla compatibilità elettromagnetica (CEM)	2014/30/EU
Sicurezza	EN 62109-1:2010/EN 62109-2:2011
Sicurezza funzionale	EN 62109-2:2011
CEM, immunità alle interferenze	EN 61000-6-2:2005
CEM, interferenza elettromagnetica	EN 55011:2016 gruppo 1, classe A
Correnti armoniche	EN 61000-3-12
CE	Si
Caratteristiche della rete di approvvigionamento	IEC 61727
	EN 50160

## 5.3 Condizioni di installazione

Parametri	Specifica
Range di temperature di funzionamento	-25 °C a 60 °C*
Temperatura di stoccaggio	-30 °C a 60 °C
Temperatura max. per installazione e manutenzione	45 °C
Valore massimo consentito per l'umidità relativa, (non condensante)	95%
Grado di inquinamento	PD2
Categoria ambientale IEC62109-1	Esterni, bagnato (v. dettagli Cap. 2, pag. 165)
Classe ambientale secondo IEC 60721-3-4	4K4H/4Z4/4B2/4S3/4M2/4C2
Sistema di raffreddamento	Forzato
Qualità dell'aria - generale	ISA S71.04-1985 Classe G3 (con 75% rF)
Qualità dell'aria - Zone costiere, fortemente industrializzate e agricole	Deve essere misurato e classificato secondo ISA S71.04-1985: G3 (con 75% rF)
Vibrazioni	< 1G
Grado di protezione IP dell'involucro	IP65
Tipo di cassa UL 50E	NEMA 3R
Altitudine operativa max (s.l.m.)	2000 m sul livello del mare (a partire da un'altitudine di 1000 m è possibile una riduzione di potenza).**
Installazione	Evitare un contatto continuo con acqua. Evitare l'irraggiamento solare diretto. Assicurare una ventilazione adeguata. Montare su una superficie non infiammabile. Montare in posizione eretta su una superficie verticale. Prevenire la formazione di polvere e di gas ammoniacali.

\* Possibile riduzione della potenza oltre i 45 °C (per maggiori informazioni v. informazione tecnica "Gradi di rendimento e derating")

\*\* Le installazioni ad altitudine > 2000 m sono possibili su richiesta, contattare SMA Solar Technology AG.

Tabella 5.6 Condizioni per l'installazione

## 5.4 Specifiche di coppia

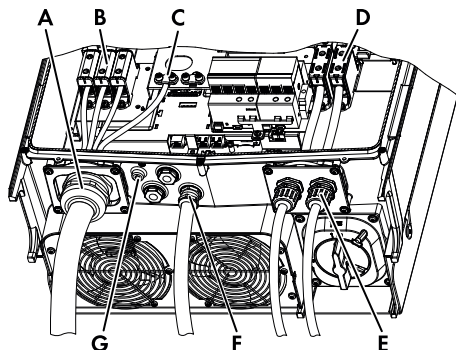


Figura 5.2 Panoramica dell'inverter con indicazioni di coppia

	Parametri	Utensile	Coppia
A	Pressacavo M63	Chiave per dadi 65/68 mm	6 Nm
	Dado a risvolto per pressacavo M63	Chiave per dadi 65/68 mm	3 Nm
B	Morsetti sul collegamento CA	HX 8	20 Nm (diametro della guaina = da 35 a 95 mm); 30 Nm (diametro della guaina = da 96 a 150 mm)
C	Conduttore di protezione primario (conduttore di protezione secondario a destra)	TX 30	3,9 Nm
D	Morsetti CC	HX 8	20 Nm (diametro della guaina = da 35 a 95 mm);
			30 Nm (diametro della guaina = da 96 a 150 mm)
E	Pressacavo M32	Chiave per dadi da 42 mm	6 Nm
	Dado a risvolto per pressacavo M32	Chiave per dadi da 42 mm	1,8 Nm
F	Pressacavo M25	Chiave per dadi da 33 mm	4 Nm
	Dado a risvolto per pressacavo M25	Chiave per dadi da 33 mm	1,8 Nm
G	M6 messa a terra dispositivi (morsetto di collegamento equipotenziale)	TX 20	3,9 Nm
	Viti anteriori (non raffigurato)	TX 30	1,5 Nm

Tabella 5.7 Specifiche della coppia di serraggio

## 5.5 Specifiche dei fusibili di rete

Parametri	Specifica
Corrente dell'inverter max, $I_{cmax}$	109 A
Tipo di valvola fusibile da utilizzare gR (IEC 60269-1)	160 A
Interruttore automatico da utilizzare (MCB) raccomandato, tipo B o C	160 A
Grandezza massima del fusibile	160 A

Tabella 5.8 Specifiche dei fusibili di rete



### NOTA

Osservare le normative locali.

## 5.6 Dati tecnici delle interfacce di comunicazione

Interfaccia	Parametri	Dettagli del parametro	Specifica
Ethernet	Cavo	Diametro della guaina ( $\varnothing$ )	2 x 5 a 7 mm
		Tipo di cavo	Cavo STP (Shielded Twisted Pair, CAT 5e oder SFTP CAT 5e) <sup>1)</sup>
		Impedenza caratteristica del cavo	100 $\Omega$ a 120 $\Omega$
	2 connettori RJ45 RJ45 per Ethernet	Sezione conduttore	da 0,14 a 0,25 mm <sup>2</sup> (in funzione del connettore RJ45)
		Terminazione schermatura cavo	Mediante connettore RJ45
	Isolamento galvanico dell'interfaccia		Sì, 500 Veff
	Protezione contro il contatto diretto	Isolamento doppio/rinforzato	Sì
	Protezione contro i cortocircuiti		Sì
	Comunicazione	Topologia della rete	Collegamento a stella, ad anello e a cascata
	Cavo	Lunghezza max del cavo max tra 2 inverter	100 m
Numero di inverter max	Per ogni SMA Inverter Manager	20	

Tabella 5.9 Dati tecnici delle interfacce di comunicazione

<sup>1)</sup> (v. capitolo 2.8 "Collegamenti Ethernet", pagina 171)

## 5.7 Collegamenti Ethernet

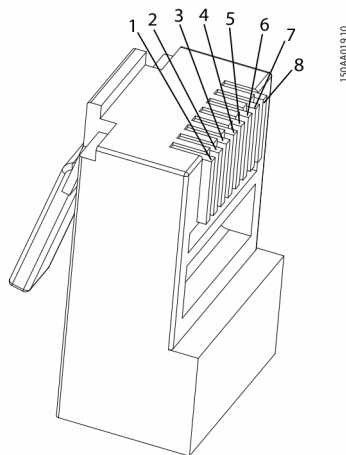


Figura 5.4 Assegnazione dei PIN del connettore RJ45 per il collegamento Ethernet

Assegnazione dei PIN per il collegamento Ethernet	Colore standard	
	Cat. 5 T-568A	Cat. 5 T-568B
1. RX+	Verde/bianco	Arancione/bianco
2. RX	Verde	Arancione
3. TX+	Arancione/bianco	Verde/bianco
4.	Blu	Blu
5.	Blu/bianco	Blu/bianco
6. TX-	Arancione	Verde
7.	Marrone/bianco	Marrone/bianco
8.	Marrone	Marrone

### 5.7.1 Topologia della rete

L'inverter possiede 2 prese Ethernet RJ45 che consentono la connessione di vari inverter in una topologia lineare e della batteria (alternativa alla tipica topologia a stella).

#### **i** NOTA

La topologia ad anello (C in Figura 5.5) è solo consentita se è realizzata con un interruttore Ethernet che supporta l'albero ricoprente.

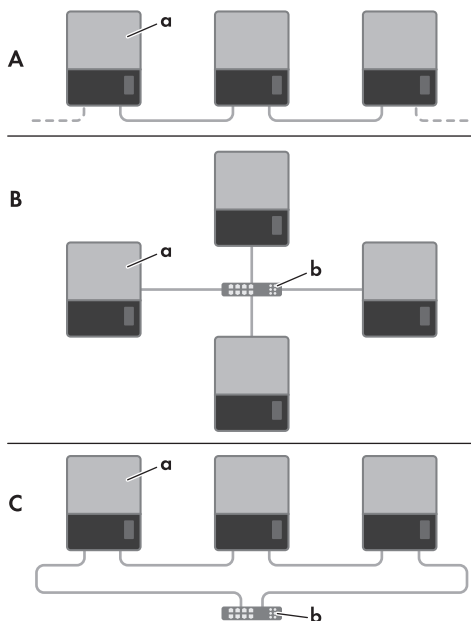


Figura 5.5 Topologia della rete

A	Catena lineare
B	Topologia a stella
C	Topologia ad anello (solo in caso di ricorso allo spanning tree)
a	Inverter
b	Switch Ethernet

Lo stato dei LED accanto all'interfaccia Ethernet è spiegato nella tabella 5.12. Sono presenti 2 LED per ogni interfaccia.

Stato	LED giallo	LED verde
Off	Velocità di connessione 10 MBit/s	Nessun link
On	Velocità di connessione 100 MBit/s	Link
Lampeggiante	-	Attività

Tabella 5.12 Stato del LED

## 6 Contatti

In caso di problemi tecnici con i nostri prodotti si prega di rivolgersi al Servizio di assistenza tecnica SMA. Per poter fornire un aiuto mirato, necessitiamo dei seguenti dati:

- Tipo di inverter
- Numero di serie dell'inverter
- Versione firmware dell'inverter
- Eventuali impostazioni nazionali specifiche dell'inverter
- Luogo e altitudine di montaggio dell'inverter
- Messaggio sul display
- Tipo di batteria collegata
- Versione firmware della batteria collegata

**SMA Solar Technology**

**[www.SMA-Solar.com](http://www.SMA-Solar.com)**



139R0192

