

## Assembly instructions

# Hanger Bolt



# Content

▶ Tools overview	3
▶ General safety information	4
▶ Required Materials	6
▶ Assembly	8
▶ Notes	14

## Quality tested – several certifications

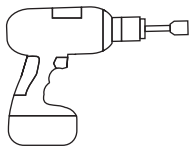
K2 Systems stands for secure connections, highest quality and precision. Our customers and business partners have known that for a long time. Independent institutes have tested, confirmed and certified our capabilities and components.

Please find our quality and product certificates under:

[www.k2-systems.com/en/technical-information](http://www.k2-systems.com/en/technical-information)



# Tools overview



7mm



9mm



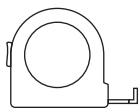
6-30Nm  
(4,5-22,2lb-ft)



6mm



15mm



≥3,0m



≥6,0m

# General safety information

Please note that our general mounting instructions must be followed at all times and can be viewed online at [www.k2-systems.com/en/technical-information](http://www.k2-systems.com/en/technical-information).

- ▶ The equipment may only be installed and operated by qualified and adequately trained installers.
- ▶ Prior to installation, ensure that the product complies with on-site static loading requirements. For roof-mounted systems, the roof load-bearing capacity must always be checked.
- ▶ National and local building regulations and environmental requirements must be adhered to.
- ▶ Compliance with health and safety regulations, accident prevention guidelines and applicable standards is required.
  - Protective equipment such as safety helmet, boots and gloves must be worn.
  - Roofing works must be in accordance with roofing regulations utilising fall protection safeguards when eaves height exceeds 3 m.
  - At least two people must be present for the duration of the installation work in order to provide rapid assistance in the event of an emergency.
- ▶ K2 mounting systems are continuously developed and improved and the installation process may thereby change at any time. Prior to installation consult our website at [www.k2-systems.com/en/technical-information](http://www.k2-systems.com/en/technical-information) for up-to-date instructions. We can send you the latest version on request.
- ▶ The assembly instructions of the module manufacturer must be adhered to.
- ▶ Equipotential bonding/grounding/earthing between individual parts is to be performed according to country specific standards, as well as national laws and regulations.
- ▶ At least one copy of the assembly instructions should be available on site throughout the duration of the installation.
- ▶ Failure to adhere to our general safety and assembly instructions and not using all system components, K2 is not liable for any resulting defects or damages. We do not accept liability for any damage resulting in the use of competitor's parts. Warranty is excluded in such cases.
- ▶ German law shall apply excluding the UN Convention on CISG. Place of venue is Stuttgart. Our General Terms of Business apply.
- ▶ If all safety instructions are adhered to and the system is correctly installed, there is a product warranty entitlement of 12 years! We strongly recommend reviewing our terms of guarantee, which can be viewed at [www.k2-systems.com/en/technical-information](http://www.k2-systems.com/en/technical-information) We will also send this information on request.
- ▶ Dismantling of the system is performed in reverse order to the assembly.
- ▶ K2 stainless steel components are available in different corrosion resistance classes. Each structure or component must be carefully checked for possible corrosion exposure.

# The following guidelines apply

The HangerBolt SolidRail system can be used without further testing by K2 systems in the following standard conditions. To calculate maximum distances between supports we recommend using our calculation tool K2Base. The system is also suitable for higher requirements. However, if a value exceeds the standard conditions, please contact K2 Systems.



## Roof requirements

- Roof pitch of 5-75°



## Structural requirements

- The static verification of components is automatically calculated for each location using our Base On planning software
- The sufficient holding force of the roof covering at the support or substructure must be ensured on site.



## Important mounting instructions

- We recommend a thermal separation after maximum of 17.60 m.
- Do not use Middle and End Clamp set at rail joints. Distance to rail joint min. 20 mm.
- Minimum spacing of 50 mm from module edge to rail end.
- Anzugsmoment aller Klemmen 14 Nm
- For manufacturer information regarding clamps see the manufacturing module data sheet.
- A module row spacing according to planning specification K2 System must be observed.
- The earthing must be provided by the customer and must be carried out according to the respective country-specific regulations.
- On-site general standards and regulations for lightning protection must be observed and consultation with a specialist to create a lightning protection concept is recommended (use lightning protection clamp if necessary).

# Essential: The materials required

All system components listed in the following are essential for assembling the K2 Systems SolidRail system. The piece quantities are calculated on the basis of the respective requirements. The listed item numbers facilitate the comparison of items.



## K2 Hanger Bolt, pre-assembled

| Article number system-specific

The set consists of:

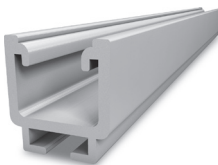
- ▶ 1 Hanger Bolt, stainless steel, WS 7 or 9 mm
- ▶ 3 Collar nut with raffle, stainless steel
- ▶ 1 Washer, stainless steel
- ▶ 1 Adapter plate with long slot



## K2 Bridge

| Article number system-specific

Material: aluminium



## MountingRail K2 SolidRail

| Article number system-specific

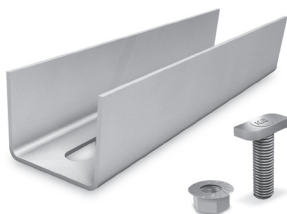
UltraLight, Light, Medium or Alpin  
Material: aluminium



## EndCap SolidRail

| Article number system-specific

Material: glass fibre reinforced polyamid



## K2 SolidRail Connector Set

| Article number system-specific

The set consists of:

- ▶ 1 SolidRail Connector, aluminium EN AW-6063 T66
- ▶ 2 T-Bolts M10x30 (1000041), stainless steel A2
- ▶ 2 Locking nuts M10 (1000042), stainless steel A2



## K2 Universal-Module middle clamp OneMid

| 2002515

Module frame height: 32-42 mm

Alternative: K2 Module middle clamp XS Set

| Article number system-specific



### K2 Universal-Module end clamp OneEnd

| 2002514

Module frame height: 32-42 mm

Alternative: K2 Module end clamp Set

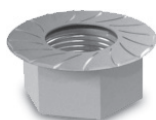
| Article number system-specific



### T-Bolt M10x30

| 1000041

Material: Stainless steel  
Head 28/15



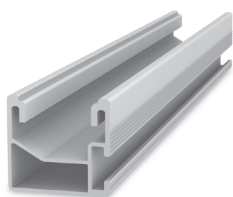
### K2 Hexagon flange nut with serration

| 1000042

similar ISO 4161

Material: Stainless steel A2, drive: 15 mm

## Additional material for cross bracing



### MountingRail K2 SingleRail

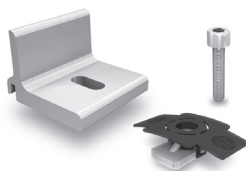
Material: aluminium EN AW-6063 T66

| Article number system-specific

Alternative: MountingRail K2 CrossRail

Material: aluminium EN AW-6063 T66

| Article number system-specific

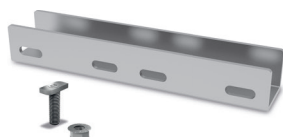


### K2 Climber 36/48 Set

| 1006041

The set consisting of:

- ▶ 1 Climber 36/48 (1002286), aluminium EN AW-6063 T66
- ▶ 1 bolt with serrated under head M8x20, stainless steel A2
- ▶ 1 MK2 insert nut M8 (1001643), stainless steel and PA



### K2 SingleRail Connector Set

| Article number system-specific

The set consisting of:

- ▶ 1 SingleRail connector, aluminium EN AW-6063 T66
- ▶ 4 T-Bolts M8x20 (1002387), stainless steel A2
- ▶ 4 Locking nuts M8 (1000043), stainless steel A2

# Description HangerBolt

Set screw M10 / M12 x Lg A2  
with hexagonal drive →

Self-locking nut similar ISO 4161 →

Adapter plate with elongated hole →

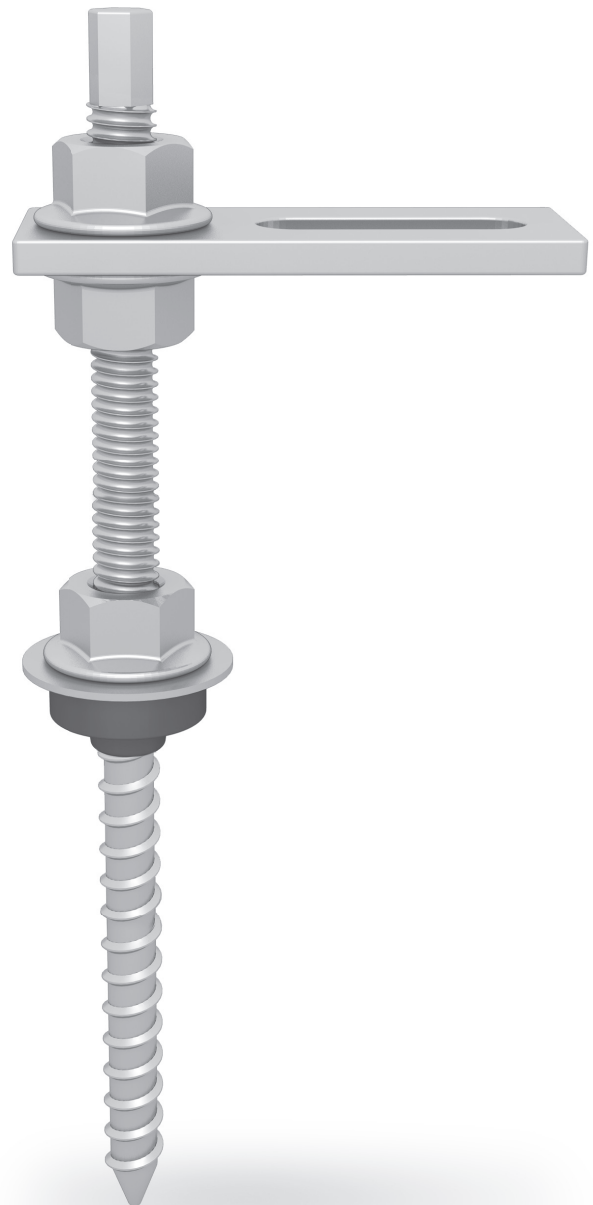
Self-locking nut similar ISO 4161 →

Thread →

Self-locking nut similar ISO 4161 →

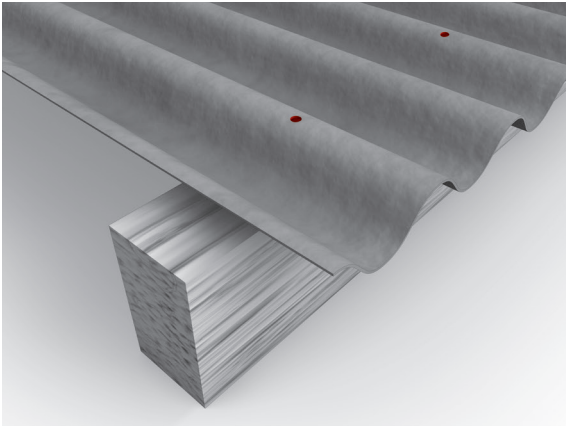
Washer →

FZD sealing washer →





## 1 Pre-drilled hole fibre cement profile on wood substrate



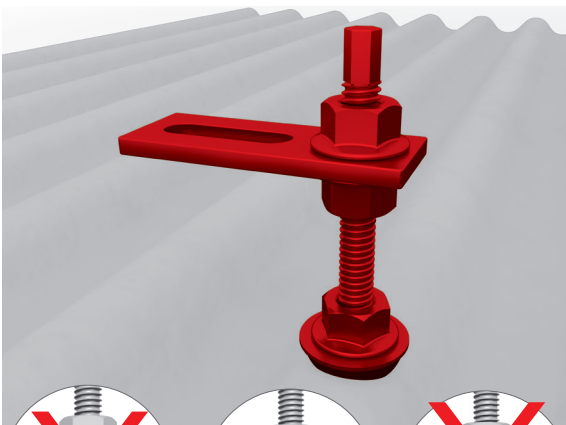
Measure the screw distances according to statics or K2 Base. Check position of purlins and pre-drill through the fibre cement profiles into the purlins.

Fibre cement profiles:  
The pre-drilled hole diameter in the fibre cement profiles must always be greater than the diameter of the Hanger Bolt.

### Table for drilling diameters

Material substructure	Pre-drilled hole fibre cement profiles	Pre-drilled hole wood substrate
Hangerbolt $\varnothing$ 10 mm	14 mm	7 mm
Hangerbolt $\varnothing$ 12 mm	15 mm	8,5 mm

## 2 Hanger bolt screw in



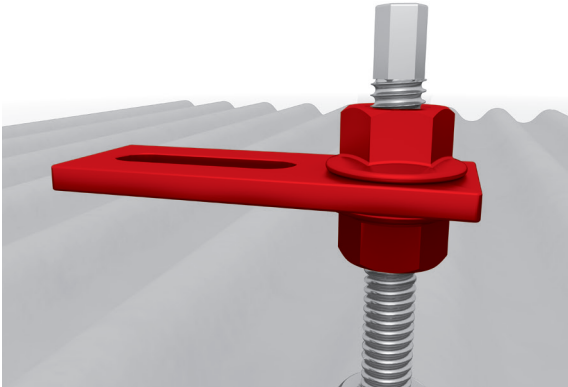
Before mounting the solar fasteners, remove any burr from the surface of the profile sheets. Insert the Hangerbolt into the pre-drilled hole and screw in.

Additional information: Do not tighten the Hangerbolt with the torque, the seal must be slightly compressed and rest on the entire surface.

Materials required: Hangerbolt

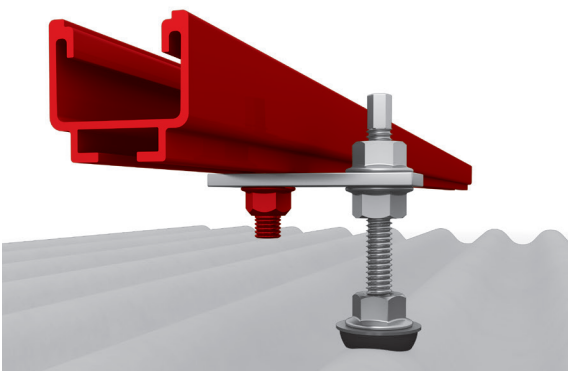


### 3 Adjust adapter plate

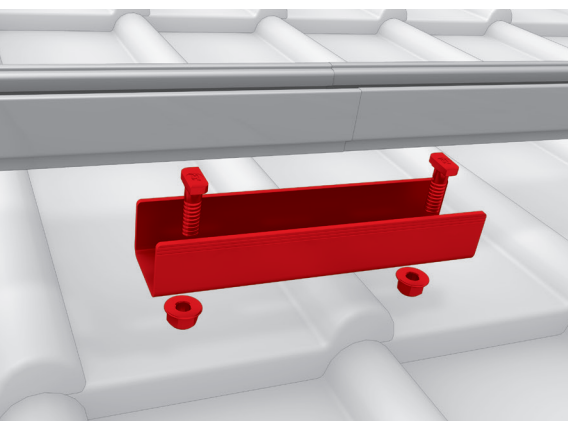


Screw the locking nut under the adapter plate into the correct position to define the height of the adapter plate. After correct adjustment of the adapter plate, fasten the upper locking nut.

### 4 Mounting rails and rail connectors



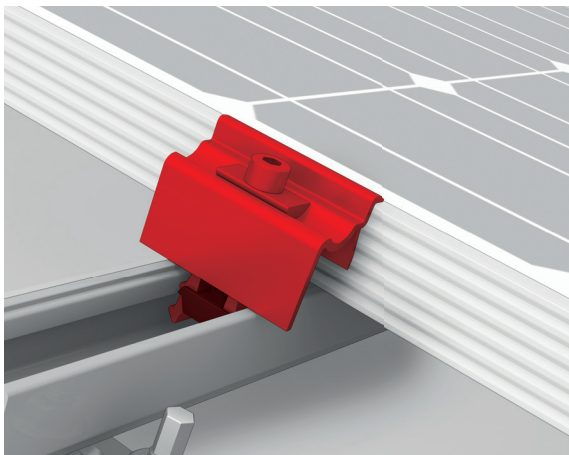
Ensure correct position of T-bolt. After inserting into the lower chamber of the rail, the T-bolt is turned 90 degrees counterclockwise. Lock the projected K2 module carrier rail Solid on the adapter plate with an M10 T-bolt and self-locking nut. Tightening torque: 32 Nm



Lay Mounting Rail on joint with rail connector and connect with T bolts and self-locking nuts. The rail joint may not be in the range of the roof fastener. Tightening torque 35 Nm.

Materials required: K2 mounting rail Solid, T-Bolt M10x30, M10 self-locking nut, rail connector set

## 5 Mounting End Clamps



Fix the module in place at the end of a row with universal module end clamp OneEnd. Klick the Stance in the notches. Alternatively use the standard end clamp. Insert the MK2 nut into the mounting rail and turn clockwise by 90°. Place clamps on the module frames and fix them. Never mount module end clamps directly on the rail joint or end of the rail! (Spacing: min. 50 mm from edge of module frame). Pay attention to the mounting instructions by module manufacturer!

Tightening torque 14 Nm.

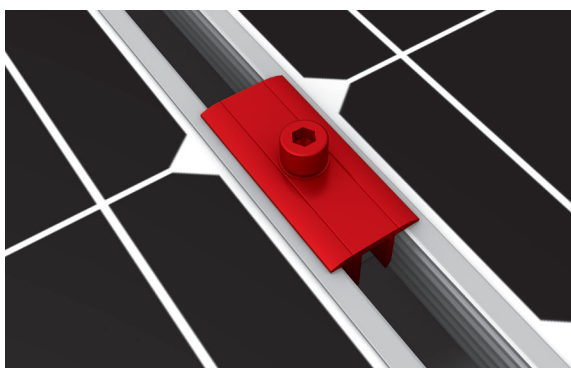
Materials required: OneEnd

## 6 Attach module gaps



Use two universal module middle clamp OneMid between two modules. Klick the Stance in the notches. Place clamps on the module frames and fix them. Tightening torque 14 Nm.

Materials required: OneMid



Attaching with XS Middle Clamp

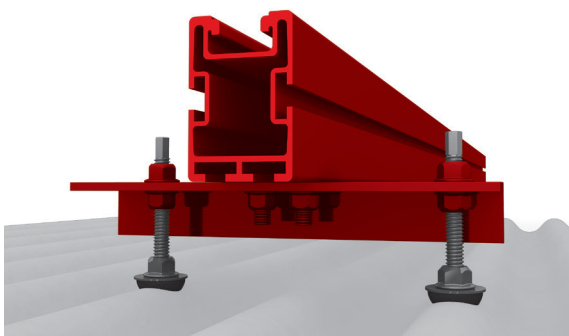
Use two XS Middle Clamps between two modules, which must also be screwed with the DIN 912 M8 screws in the slot nuts.

Tightening torque 14 Nm.

Materials required: Module middle clamp XS Set

# Alternative system assembly with K2 Bridge

## 1 Mount K2 Bridge



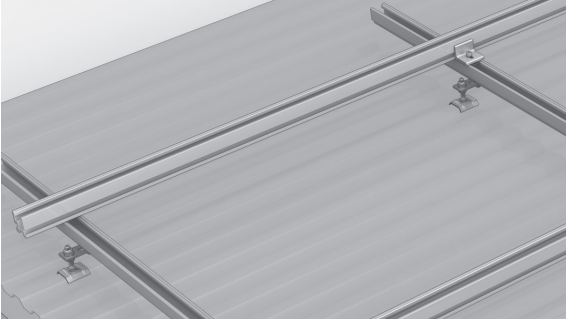
The K2 Bridge is mounted on two Hangerbolt instead of the adapter plate in order to achieve greater span widths. Depending on type, the rail is fixed to the Bridge with one or two M10x30 T-bolts.

Materials required: 2 mounted Hangerbolt, K2 Bridge, M10x30 T-bolt

# Alternative system assembly (Cross bracing) with K2 SingleRail



## 1 Mount rails by cross bracing

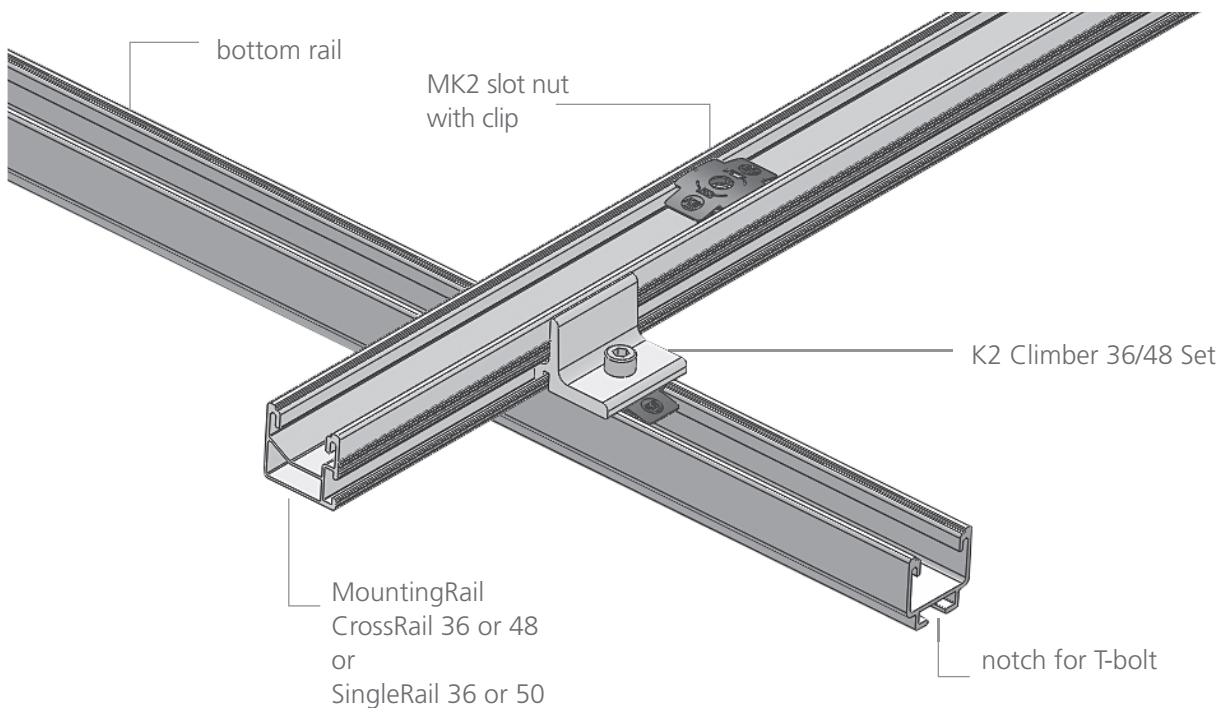


The top rail position in cross bracing is mounted with the M K2 and Climber in the desired location at the appropriate distance.

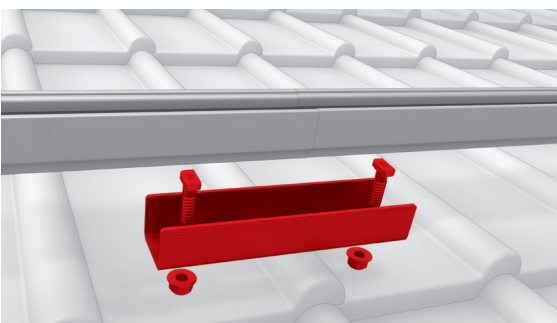
Tightening torque 16 Nm.

Materials required: SingleRail, Climber Set

Mount rail and climber as shown below:



## 2 Mount rail connector



Lay Mounting Rail on joint with rail connector and connect with T bolts and self-locking nuts. The rail joint may not be in the range of the roof fastener. Tightening torque 16 Nm.

# Note





## THANK YOU FOR CHOOSING A K2 MOUNTING SYSTEM.

Systems from K2 Systems are quick and easy to install. We hope these instructions have helped. Please contact us with any questions or suggestions for improvement.

Our contact data:

- ▶ [www.k2-systems.com/en/contact](http://www.k2-systems.com/en/contact)
- ▶ **Service Hotline: +49 (0)7159 42059-0**

German law shall apply excluding the UN Convention on CISG.  
Place of venue is Stuttgart.

Our General Terms of Business apply. Please refer:  
[www.k2-systems.com](http://www.k2-systems.com)

**K2 Systems GmbH**  
Industriestraße 18  
71272 Renningen  
Germany  
Tel. +49 (0) 7159 - 42059 - 0  
[info@k2-systems.com](mailto:info@k2-systems.com)  
[www.k2-systems.com](http://www.k2-systems.com)