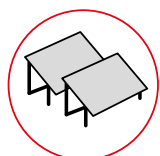
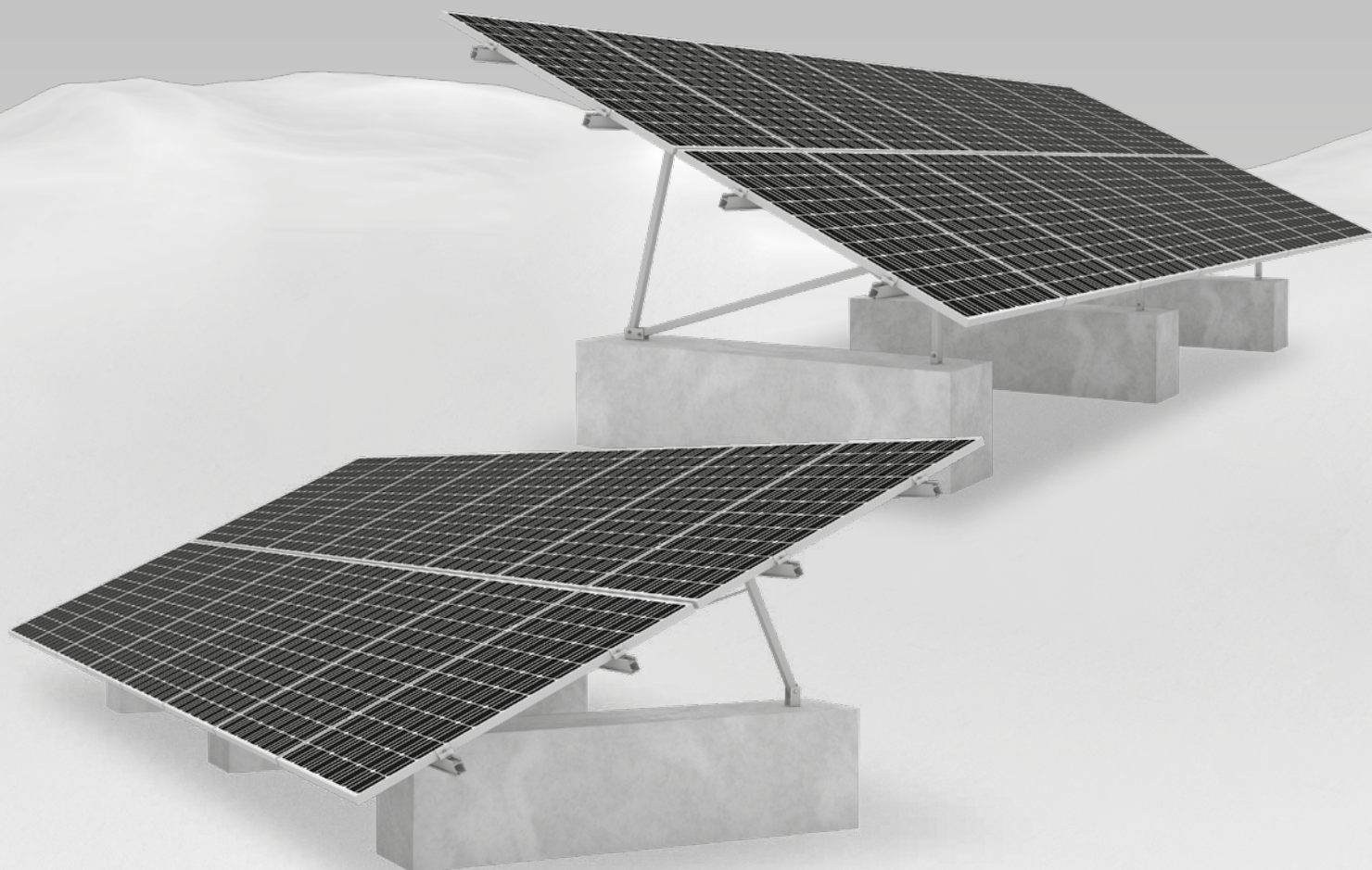


We support PV systems

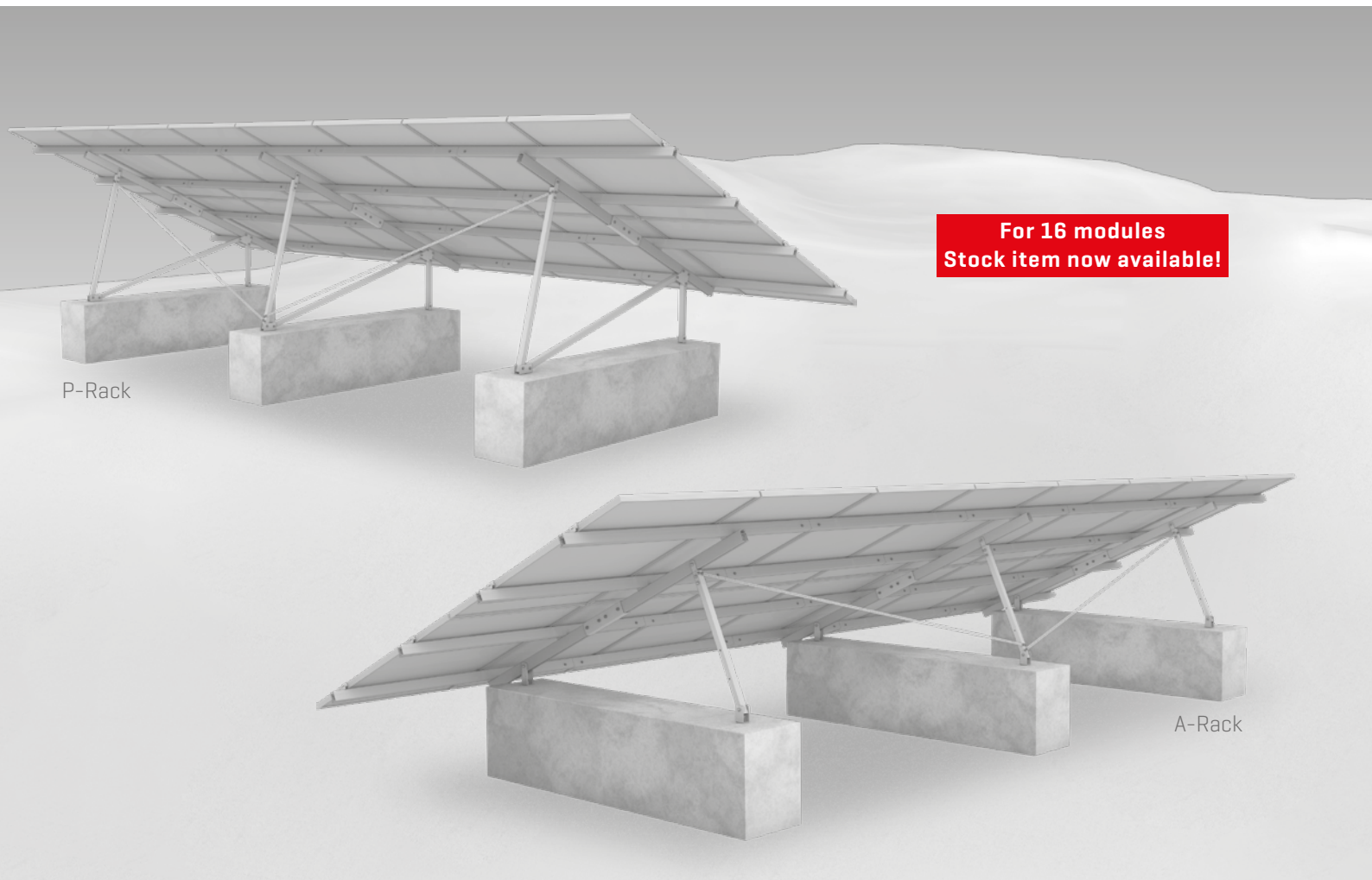


MOUNTING SYSTEMS

Ground mounted



A-Rack and P-Rack System



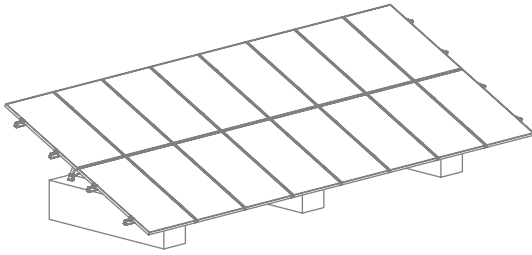
P-Rack

**For 16 modules
Stock item now available!**

A-Rack

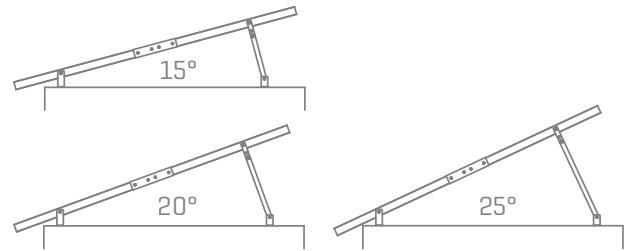
- / Ideal solution for small installations and off-grid projects that need to be built quickly and efficiently
- / Ready-to-assemble systems are equipped with all the necessary components
- / Can be mounted with 15°, 20° or 25° elevations. Mounting holes are provided for all elevations
- / All necessary connectors, small components, as well as universal module clamps are included

Features



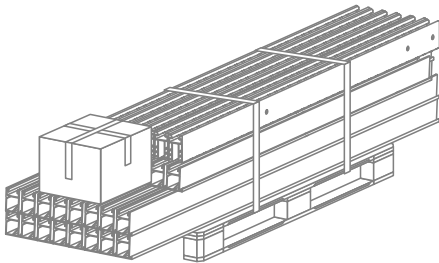
16 modules

- / No planning required
- / Suitable for most ground and module types
- / Complete ready-to-assemble system with detailed installation instructions



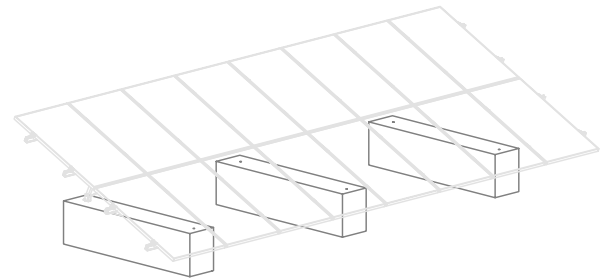
15°, 20° and 25° elevations

- / Various elevations allow flexible use by cutting support strut
- / P-Rack: With increased elevation for storage space



Complete ready-to-ship assembly kits

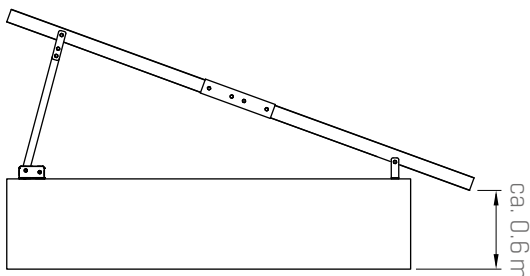
- / All components in one package
- / Suitable for pick-up vehicle transport
- / Maximum rail length 1.9 m
- / A-Rack: 84 kg, P-Rack: 93 kg



Own foundations

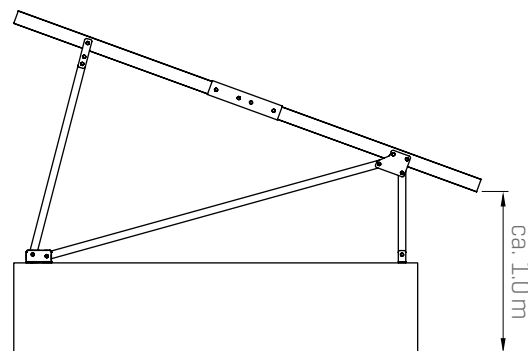
- / Foundation constructed on-site
- / With detailed reinforcement plan

A-Rack



15°, 20° + 25°

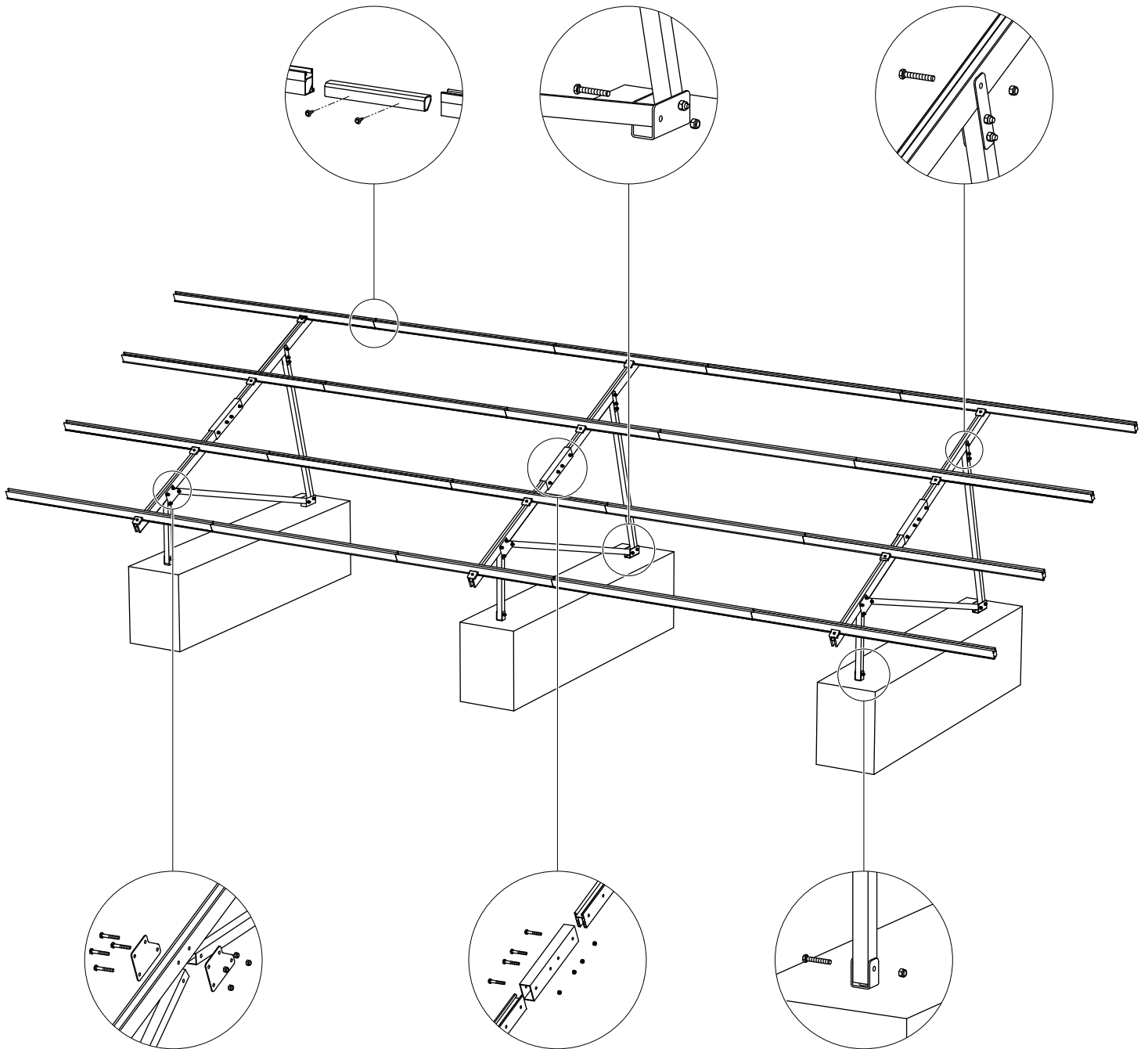
P-Rack



15°, 20° + 25°

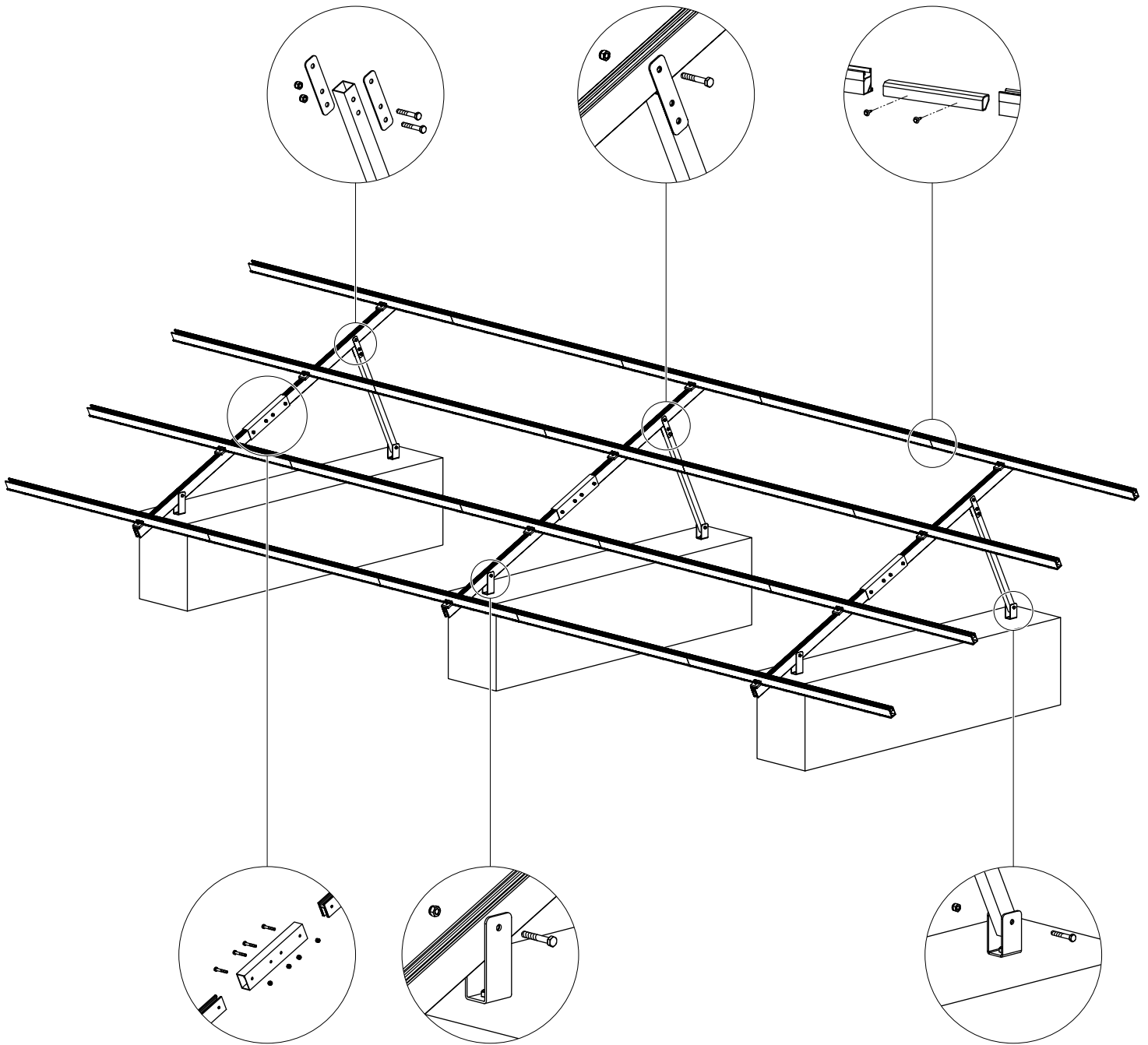
User-friendly installation

P-Rack System

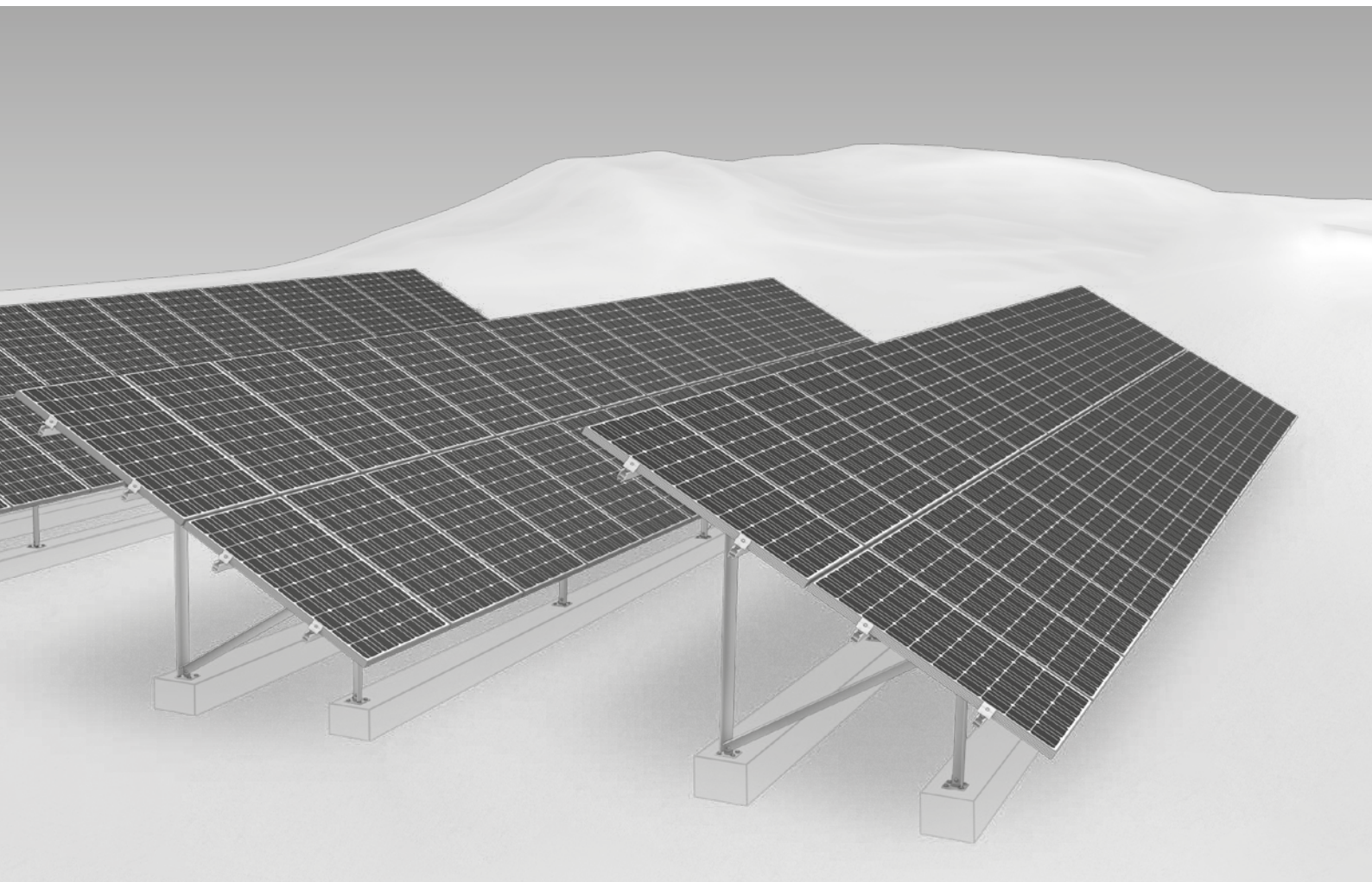


The necessary concrete foundations should be constructed on-site with a detailed reinforcement plan. Commercially available concrete products can be used for this purpose.

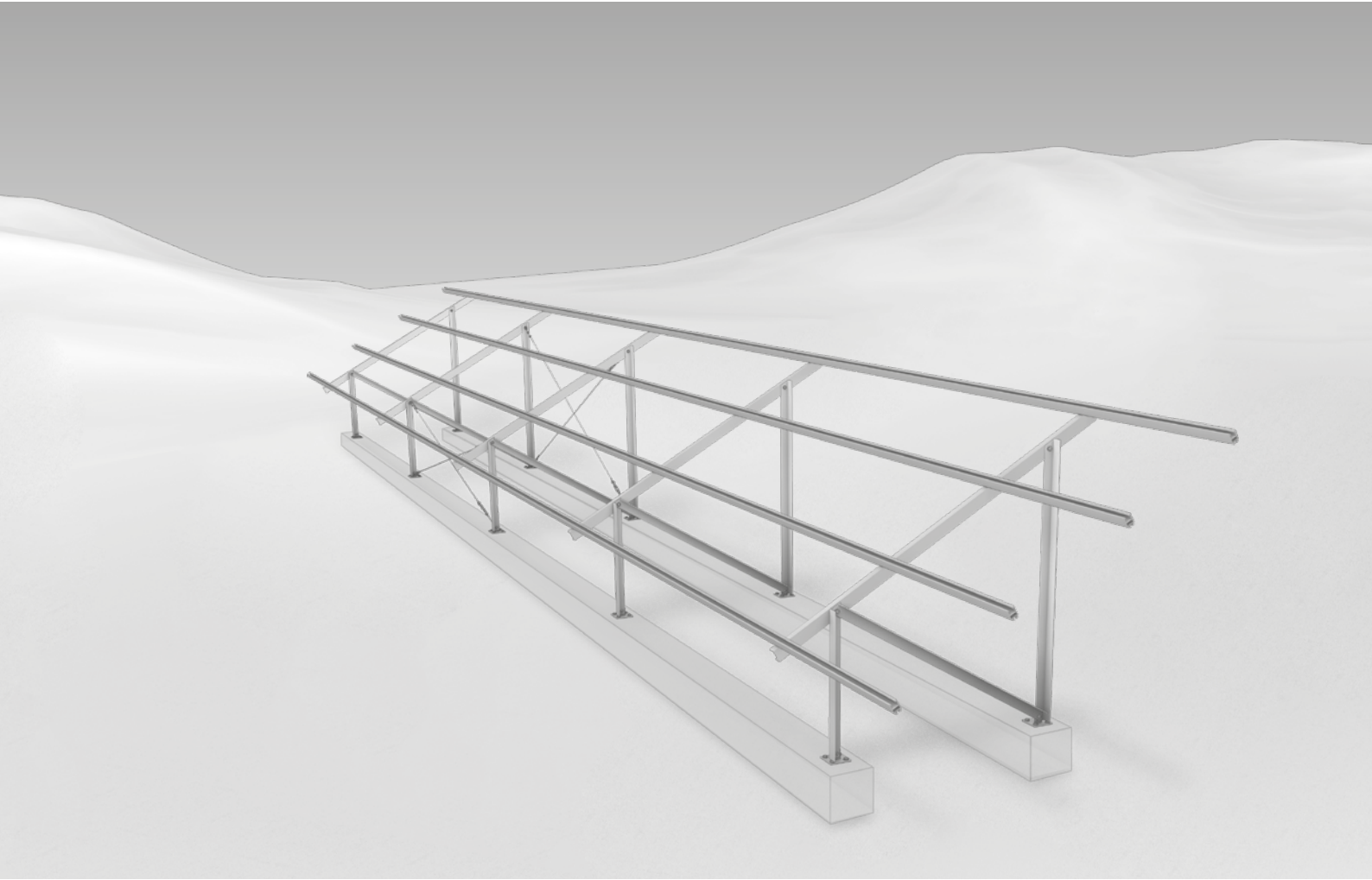
A-Rack System



N-Rack System



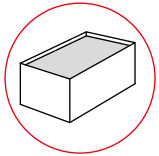
- / Proven individual planning and statics for each system
- / Statically calculated for different countries in Europe according to Eurocode 9
- / Also for challenging slopes and and an east-west balance



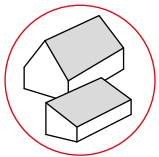
We support PV systems



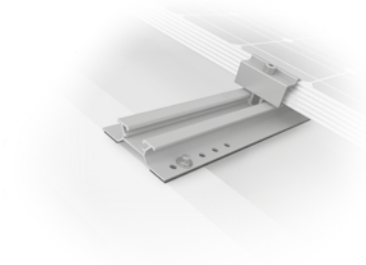
Additional K2 applications



▶ Flat roof systems



▶ Pitched roof systems



K2 Systems GmbH

Industriestraße 18
71272 Renningen
Germany

+49 7159 - 42059 - 0
info@k2-systems.com
www.k2-systems.com