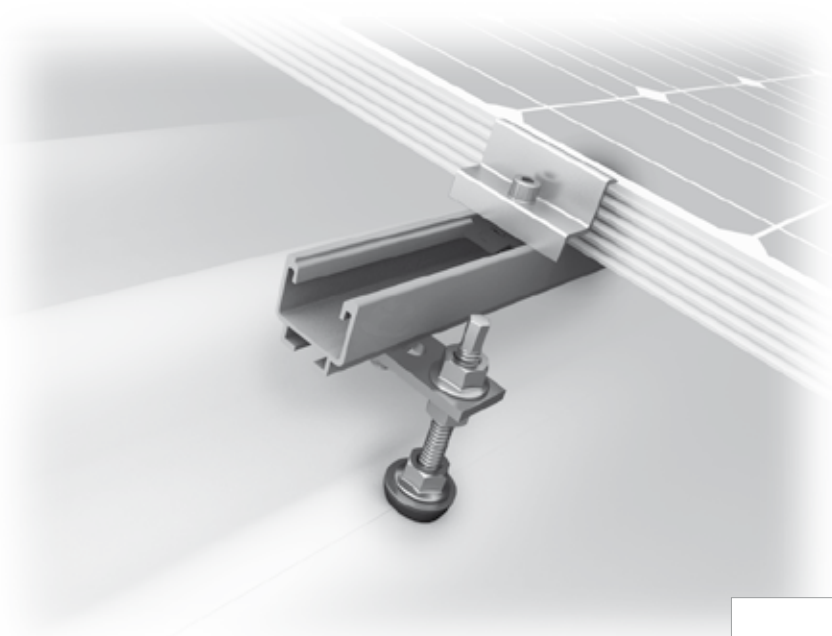


Mounting systems for solar technology



K2 SYSTEMS
SLOPED ROOF SYSTEMS
HANGER BOLT

HANGER BOLT SYSTEM

- ↪ For roofs with corrugated fibre cement roofing, steel or aluminium profile
- ↪ Pre-assembled with adapter plate for time-saving assembly
- ↪ Elongated hole enables easy connection by T-bolt to the K2 SolidRail or K2 CrossRail range
- ↪ Screw head with hexagon drive allows for assembly with electric screwdriver
- ↪ Extra-long metric thread for height adjustment
- ↪ All components made of high-quality stainless steel and aluminium, sealing element made of high quality EPDM
- ↪ Greater span widths possible by mounting with K2 Bridge
- ↪ Includes technical approval

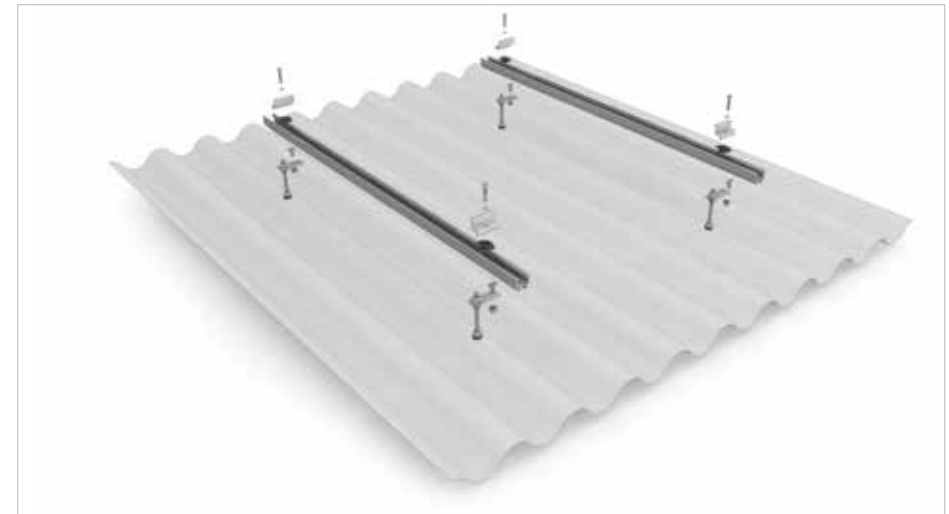


Detail illustration: Hanger bolt with FZD seal

Technical data



Field of application	Sloped roof
Roofing	Corrugated fibre cement with timber sub-structure, steel or aluminium profile
PV modules	Suitable for all standard module types
Module orientation	Vertical / horizontal (with cross bracing)
Material	Stainless steel 1.4301
Connecting elements	Stainless steel screws A2-70, sealing made from EPDM
Roof connection	Screw connection
Static principles	Technical approval Z14.4-602, determination of load capacity values by independent testing institutes
Load assumption in accordance with	DIN EN 1991 (Eurocode 1)
System components	K2 Hanger bolt, K2 SolidRail or K2 CrossRail range, mid and end clamp sets, K2 Bridge, T-head bolt, K2 Climber, M K2, K2 hexagon flange nut with serration



System Explosion drawing



Elpo | St Vigil Enneberg - Italy
System: 5.29 kW | Hanger Bolt System



Elpo | Frubona Terlan - Italy
System: 671.86 kW | Hanger Bolt System

SERVICE-HOTLINE
+49 (0)7152 3560-0
www.k2-systems.com

Produktblatt Stockschraube | GB3 | 0413 | Subject to change
Product illustrations are exemplary illustrations and may differ from the original.

